

KOZ CABLE CLAMPS AND CABLE BLOCKS FOR FIXING LOW, MEDIUM AND HIGH VOLTAGE CABLES, CERTIFIED WITH THE NEW INTERNATIONAL STANDARD NEN-EN-IEC 61914:2009

KOZ Products is a company that specialises in the design, manufacturing and distribution of new and innovative cable clamps and cable blocks. Since 1998 KOZ Products has grown steadily and its cable clamps and cable blocks are now used throughout the world.

Cable clamps and blocks for high short-circuit currents

KOZ cable clamps and cable blocks are designed and manufactured to meet the highest possible requirements, and to withstand high short-circuit currents. Therefore, they are perfect for use at locations where short-circuit-proof features are preferable. Short circuit tests have been done by KEMA High Laboratory in The Netherlands and by Schneider under supervision of SGS Belgium.

Tailor-made cable clamps and cable blocks

In recent years, KOZ has specialised in making cable clamps and cable blocks according to the clients specification. If you need a special kind of cable clamp or cable block that is not available on the market, then please contact KOZ to see what they can do for you!

Single and multi-conductor cable clamps and cable blocks

KOZ cable clamps and cable blocks are suitable for the fastening of all types of single and multiconductor cables.

KOZ cable clamp and cable blocks materials

KOZ cable clamps and cable blocks are produced in black polyamide, fibreglass-reinforced material. It is flame resistant, free of halogens and made of virgin material.

Stainless-steel fastening materials

KOZ cable clamps and cable blocks can be supplied from stock with stainless-steel fastening materials. This means you get all the necessary fastening materials at once, at your chosen workplace.

Neoprene inlays

KOZ cable clamps and cable blocks can be supplied with black neoprene inlays in different sizes and thickness.

The neoprene inlays are self extinguishing and resistant to acid, ozone, extreme weather conditions and the most aliphatic oils.



High strength KOZ cable clamps and cable blocks

All KOZ clamps and cable blocks are tested for mechanical strength. The test reports are available. KOZ cable clamps and cable blocks differs from other brands by their high mechanical strength. Tests have shown that KOZ cable clamps and cable blocks have a mechanical strength up to 84.000 N. The maximum temperature for the cable clamps and cable blocks is +120°C (continuous) and +220°C (short-time). No mechanical loss of strength will occur in the cable clamps and cable blocks within a temperature range of -80°C up to +120°C.

High-safety cable clamps and cable blocks

Produced subject to the ISO 9001 standard KOZ cable clamps and cable blocks are UL listed. UL is responsible for the worldwide random control of KOZ cable clamps and cable blocks. These controls are carried out unexpectedly, about four times a year, on products taken straight from the production line. This enables KOZ to maintain a high level of reliability. KOZ cable clamps and cable blocks have a flammability rating of UL 94 V-0. They are resistant to ultraviolet rays, salt water, ozone, oils, fuels, alkalis and radioactive rays. The high safety level of KOZ cable clamps and cable blocks has been confirmed for many years at home and abroad.

Test Program NEN-EN-IEC 61914:2009

To receive the Certificate of Conformity NEN-EN-IEC 61914:2009 KOZ Products passed all the tests with positive results.

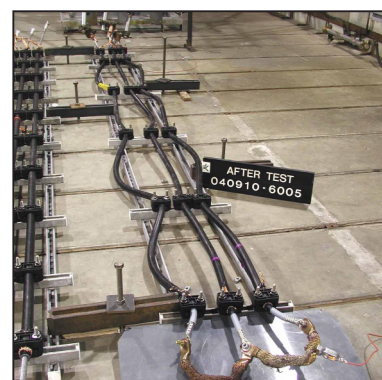
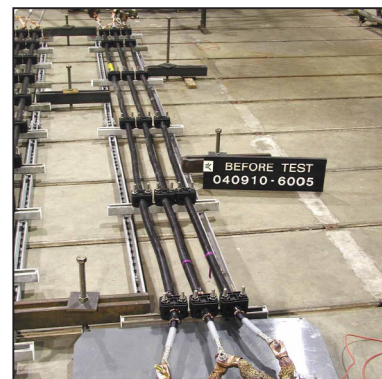
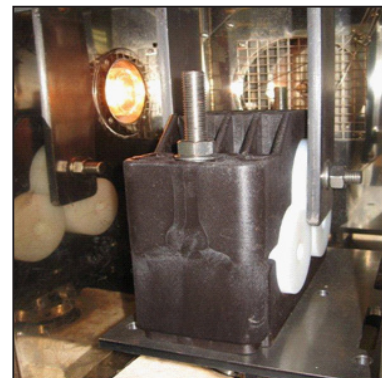
- salt water spray test
- impact test
- light accelerated ageing test
- voltage test
- lateral load test at +120°C
- axial load test at +120°C
- sliding load test with and without rubber inlays
- needle flame test
- test maximum temperature for permanent application +120°C
- test minimum temperature for permanent application -80°C
- test for resistance to electromechanical force in single, trefoil and flat formation

Extra benefits to use KOZ cable clamps and cable blocks

- Resistant to oils, fats, frost, heat, UV, ozone, salts, moisture, acids, aggressive chemicals and nuclear radiation.
- Non oxidizing / non corrosive.
- Non magnetic / non conductive.
- V-0 (UL94) self-extinguishing, Halogen-free.
- No sharp angles, Lifetime warranty.
- Very simple installation.
- Available worldwide and delivery from stock.
- Custom made fastening material is also available.

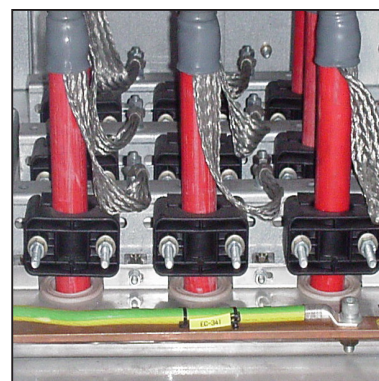
You won't find all the cable clamps and cable blocks on the website. For the latest developments and information, please feel free to contact us.

No rights may be derived from the indicated sizes, as the products are subject to ongoing development. KOZ Products BV therefore reserves the right to implement these changes without notice. For the most up-to-date information, visit our website.



SPECIFICATIONS KOZ CABLE CLAMPS TYPE ST

- Application** : Suitable for fitting single- and multiple-conductor low- medium and high voltage cables.
- Range** : For cables with a nominal outer diameter from 16 up to 100 mm.
- Material** : Black polyamide, fibreglass-reinforced, virgin material. It is halogen-free and resistant to radioactive rays, UV rays, salt water, ozone, oils, acids, fuels and alkalis.
- Flame resistance** : UL94 V-0 and classification following DIN 5510-2:2009 with flammability class S3, smoke SR2 and dripping ST-2.
- Standards** : According to International Standard NEN-EN-IEC 61914:2009, Certificate of Conformity KOZ No 19044C by SGS.
- Flexure strength** : 210 N/mm²
- Tensile strength** : 120 N/mm²
- Thermal expansion** : 0,01% per 10°C temperature increase.
- Temperature limits** : Permanent application from -80°C to +120°C.
Brief heating up to +220°C.

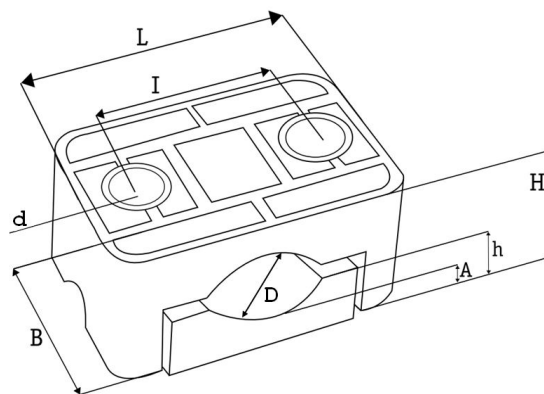


Initial torque for fastening fixing material : 5 – 8 Nm
 (depends on cable manufacturer's prescription).

All tests have been done by KEMA Netherlands, SGS Belgium, Underwriters Laboratories Inc. and Schneider France.

All products listed in this catalogue are fully compliant manufactured with the latest EU Directive 2011/65/EU (RoHS) list.

Meeting all legal obligations under REACH.

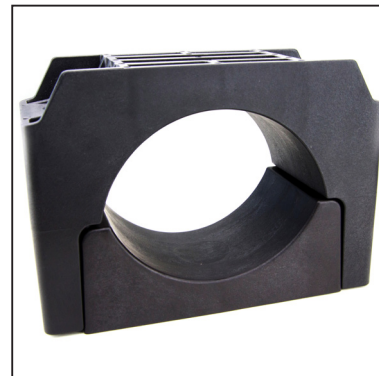


Dimensions in millimeters

Type	DØ	L	B	I	dØ	H	h	A	Strength (N)
KOZ ST 18-26	16-26	77	45	49	10,5	36-44	13,5	6	25.400
KOZ ST 26-38	26-38	92	60	60	12,5	48-60	21	10	34.900
KOZ ST 36-52	36-52	108	60	75	12,5	58-74	27	11	26.100
KOZ ST 50-75	50-75	128	60	95	12,5	76-101	35	14	32.300
KOZ ST 75-100	75-100	169	80	127	14,5	110-135	51	19	84.600

SPECIFICATIONS KOZ CABLE CLAMP ST 100-130

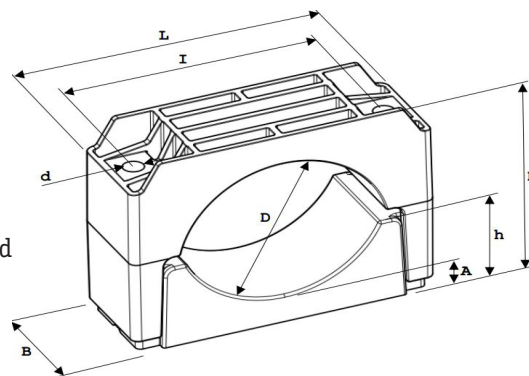
- Application** : Suitable for fitting single- and multiple-conductor low- medium and high voltage cables.
- Range** : For cables with a nominal outer diameter from 100 up to 130 mm.
- Material** : Black polyamide, fibreglass-reinforced, virgin material. It is halogen-free and resistant to radioactive rays, UV rays, salt water, ozone, oils, acids, fuels and alkalis.
- Flame resistance** : UL94 V-0 and classification following DIN 5510-2:2009 with flammability class S3, smoke SR2 and dripping ST-2.
- Standards** : According to International Standard NEN-EN-IEC 61914:2009, Certificate of Conformity KOZ No 19044C by SGS.
- Flexure strength** : 210 N/mm²
- Tensile strength** : 120 N/mm²
- Thermal expansion** : 0,01% per 10°C temperature increase.
- Temperature limits** : Permanent application from -80°C to +120°C. Brief heating up to +220°C.



Initial torque for fastening fixing material : 5 – 8 Nm (depends on cable manufacturer's prescription).

All tests have been done by KEMA Netherlands, SGS Belgium, Underwriters Laboratories Inc. and Schneider France.

All products listed in this catalogue are fully compliant manufactured with the latest EU Directive 2011/65/EU (RoHS) list. Meeting all legal obligations under REACH.

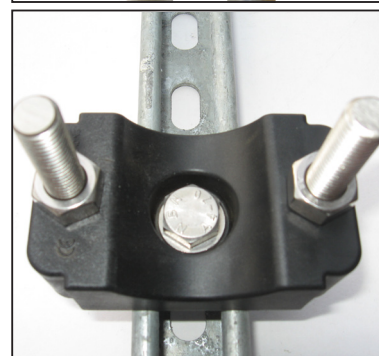


Dimensions in millimeters

Type	DØ	L	B	I	dØ	H	h	A	Strength (N)
KOZ ST 100-130	100-130	200	80	158	14,5	141-170	60	21	70.000

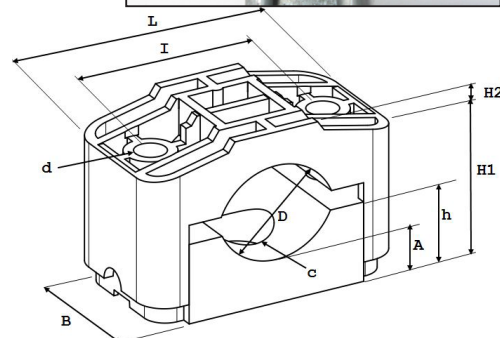
SPECIFICATIONS KOZ CABLE CLAMPS TYPE STC

- Application** : Suitable for fitting single- and multiple-conductor low- medium and high voltage cables.
- Range** : For cables with a nominal outer diameter from 21 up to 100 mm.
- Material** : Black polyamide, fibreglass-reinforced, virgin material. It is halogen-free and resistant to radioactive rays, UV rays, salt water, ozone, oils, acids, fuels and alkalis.
- Flame resistance** : UL94 V-0 and classification following DIN 5510-2:2009 with flammability class S3, smoke SR2 and dripping ST-2.
- Standards** : According to International Standard NEN-EN-IEC 61914:2009, Certificate of Conformity KOZ No 19044C by SGS.
- Flexure strength** : 210 N/mm²
- Tensile strength** : 120 N/mm²
- Thermal expansion** : 0,01% per 10°C temperature increase.
- Temperature limits** : Permanent application from -80°C to +120°C. Brief heating up to +220°C.
- Benefits** : The central fastening hole in the bottom part of the KOZ STC clamps means they can be fastened to e.g. masts and poles, as well as to concrete and fitting rails.
- Initial torque for fastening fixing material** : 5 – 8 Nm (depends on cable manufacturer's prescription).



All tests have been done by KEMA Netherlands, SGS Belgium, Underwriters Laboratories Inc. and Schneider France.

All products listed in this catalogue are fully compliant manufactured with the latest EU Directive 2011/65/EU (RoHS) list. Meeting all legal obligations under REACH.



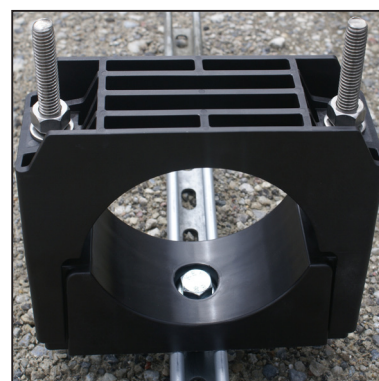
Dimensions in millimeters

Type	DØ	L	B	I	dØ	H1	H2	h	A	C	Strength (N)
KOZ STC 21-38	21-38	92	60	60	12,5	45-61	9	26	18	12,5	38.700
KOZ STC 36-52	36-52	107	60	75	12,5	57-72	12	33	18	12,5	43.200
KOZ STC 46-75	46-75	128	60	95	12,5	65-95	14	35	20	12,5	40.800
KOZ STC 72-100	72-100	172	80	127	14,5	91-119	19	51	22,5	14,5	47.300

No rights may be derived from the indicated sizes, as the products are subject to ongoing development. KOZ Products BV therefore reserves the right to implement these changes without notice. For the most up-to-date information, visit our website.

SPECIFICATIONS KOZ CABLE CLAMP ST(C) 120-160

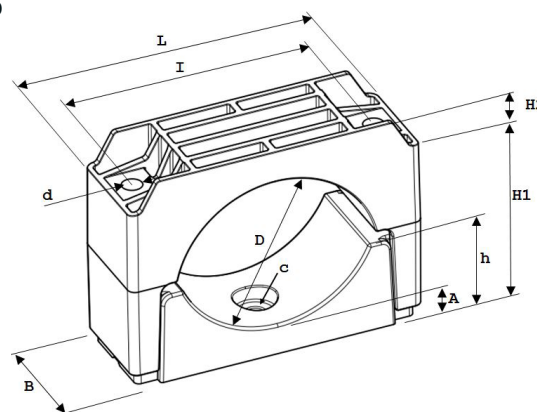
- Application** : Suitable for fitting single- and multiple-conductor low- medium and high voltage cables.
- Range** : For cables with a nominal outer diameter from 120 up to 160 mm.
- Material** : Black polyamide, fibreglass-reinforced, virgin material. It is halogen-free and resistant to radioactive rays, UV rays, salt water, ozone, oils, acids, fuels and alkalis.
- Flame resistance** : UL94 V-0 and classification following DIN 5510-2:2009 with flammability class S3, smoke SR2 and dripping ST-2.
- Standards** : According to International Standard NEN-EN-IEC 61914:2009, Certificate of Conformity KOZ No 19044C by SGS.
- Flexure strength** : 210 N/mm²
- Tensile strength** : 120 N/mm²
- Thermal expansion** : 0,01% per 10°C temperature increase.
- Temperature limits** : Permanent application from -80°C to +120°C. Brief heating up to +220°C.
- Benefits** : The central fastening hole in the bottom part of the KOZ STC clamps means they can be fastened to e.g. masts and poles, as well as to concrete and fitting rails.



Initial torque for fastening fixing material : 5 – 8 Nm (depends on cable manufacturer's prescription).

All tests have been done by KEMA Netherlands, SGS Belgium Underwriters Laboratories Inc. and Schneider France.

All products listed in this catalogue are fully compliant manufactured with the latest EU Directive 2011/65/EU (RoHS) list. Meeting all legal obligations under REACH.

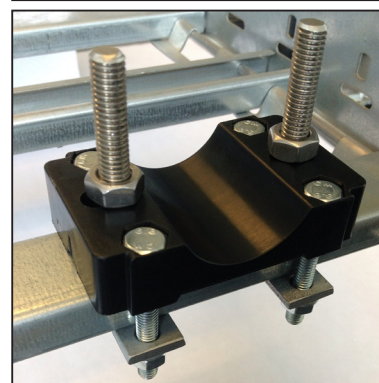
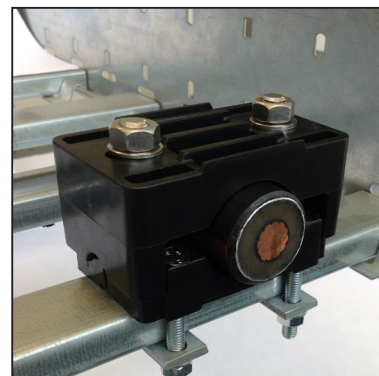


Dimensions in millimeters

Type	DØ	L	B	I	dØ	H1	H2	h	A	C	Strength (N)
KOZ ST(C) 120-160	120-160	230	80	190	15,5	145-185	23	71	24	14,5	48.000

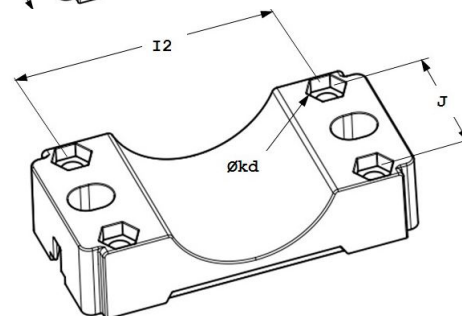
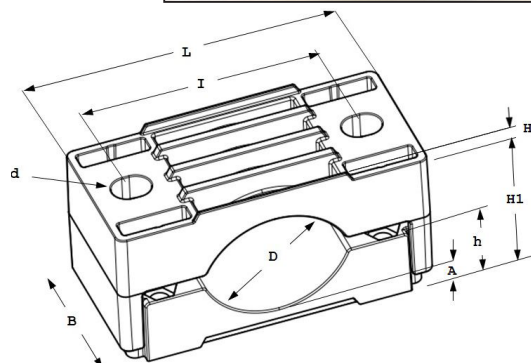
SPECIFICATIONS KOZ CABLE CLAMPS TYPE ST ECO

- Application** : Suitable for fitting single- and multiple-conductor low- medium and high voltage cables.
- Range** : For cables with a nominal outer diameter from 22 up to 75 mm.
- Material** : Black polyamide, fibreglass-reinforced, virgin material. It is halogen-free and resistant to radioactive rays, UV rays, salt water, ozone, oils, acids, fuels and alkalis.
- Flame resistance** : UL94 V-0 and classification following DIN 5510-2:2009 with flammability class S3, smoke SR2 and dripping ST-2.
- Testing** : Based on the International Standard NEN-EN-IEC 61914:2009
- Flexure strength** : 210 N/mm²
- Tensile strength** : 120 N/mm²
- Thermal expansion** : 0,01% per 10°C temperature increase.
- Temperature limits** : Permanent application from -80°C to +120°C. Brief heating up to +220°C.
- Benefits** : Stackable and compact design. Due to its many fixing possibilities these clamps are suitable for almost every cable ladder without the need for drilling. This saves significant time while installing the clamps.



Initial torque for fastening fixing material : 1 – 3 Nm (depends on cable manufacturer's prescription).

All products listed in this catalogue are fully compliant manufactured with the latest EU Directive 2011/65/EU (RoHS) list. Meeting all legal obligations under REACH.



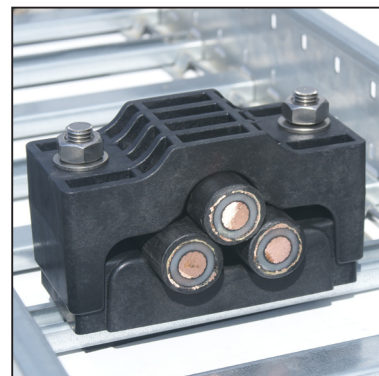
Dimensions in millimeters

Type	DØ	L	B	I	dØ	H1	H2	h	A	I2	J	kdØ	Strength (N)
KOZ ST eco 22-38	22-38	88	49	50-60	8,2	36-52	2,5	18	7	50	31,5	6,5	13.300
KOZ ST eco 36-52	36-52	105	49	75-80	10,5	50-66	3	23	7	75	31,5	6,5	12.700
KOZ ST eco 50-75	50-75	125	49	93,75-100	10,5	67-92	3	35	9	100	31,5	6,5	17.300

No rights may be derived from the indicated sizes, as the products are subject to ongoing development. KOZ Products BV therefore reserves the right to implement these changes without notice. For the most up-to-date information, visit our website.

SPECIFICATIONS KOZ CABLE CLAMP TRI 25-40

- Application** : Suitable for fitting 3 single- and multiple-conductor low- medium and high voltage cables.
- Range** : For cables with a nominal outer diameter from 25 up to 40 mm.
- Material** : Black polyamide, fibreglass-reinforced, virgin material. It is halogen-free and resistant to radioactive rays, UV rays, salt water, ozone, oils, acids, fuels and alkalis.
- Flame resistance** : UL94 V-0 and classification following DIN 5510-2:2009 with flammability class S3, smoke SR2 and dripping ST-2.
- Standards** : According to International Standard NEN-EN-IEC 61914:2009, Certificate of Conformity KOZ No 19044C by SGS.
- Flexure strength** : 210 N/mm²
- Tensile strength** : 120 N/mm²
- Thermal expansion** : 0,01% per 10°C temperature increase.
- Temperature limits** : Permanent application from -80°C to +120°C. Brief heating up to +220°C.

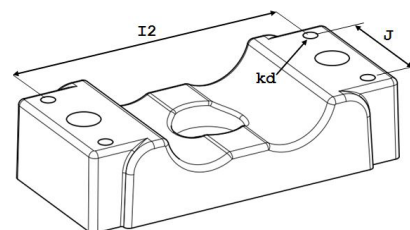
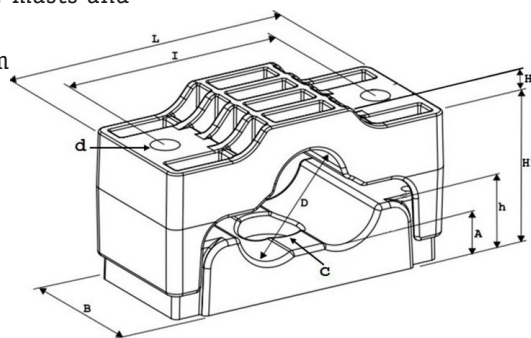


- Benefits** : The central fastening hole in the bottom part of the KOZ TRI clamps means they can be fastened to e.g. masts and poles, as well as to concrete and rails. The 4 holes in the top as well as in the bottom part of this clamp, means this clamp can be fastened on all kind of ladders, (basket) trays and support systems without drilling holes.

Initial torque for fastening fixing material : 5 – 8 Nm (depends on cable manufacturer's prescription).

All tests have been done by KEMA Netherlands, SGS Belgium, Underwriters Laboratories Inc. and Schneider France.

All products listed in this catalogue are fully compliant manufactured with the latest EU Directive 2011/65/EU (RoHS) list. Meeting all legal obligations under REACH.



Dimensions in millimeters

Type	DØ	L	B	I	dØ	H1	H2	h	A	C	I2	J	kdØ	Strength (N)
KOZ TRI 25-40	25-40	160	75	125	14,5	68-95	14	38	20	15	131,5	49	6,5	40.000

No rights may be derived from the indicated sizes, as the products are subject to ongoing development. KOZ Products BV therefore reserves the right to implement these changes without notice. For the most up-to-date information, visit our website.

SPECIFICATIONS KOZ CABLE CLAMP TRI 38-53

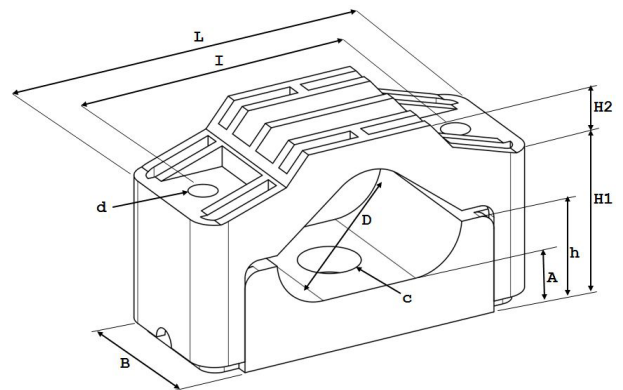
- Application** : Suitable for fitting 3 single- and multiple-conductor low- medium and high voltage cables.
- Range** : For cables with a nominal outer diameter from 38 up to 53 mm.
- Material** : Black polyamide, fibreglass-reinforced, virgin material. It is halogen-free and resistant to radioactive rays, UV rays, salt water, ozone, oils, acids, fuels and alkalis.
- Flame resistance** : UL94 V-0 and classification following DIN 5510-2:2009 with flammability class S3, smoke SR2 and dripping ST-2.
- Standards** : According to International Standard NEN-EN-IEC 61914:2009, Certificate of Conformity KOZ No 19044C by SGS.
- Flexure strength** : 210 N/mm²
- Tensile strength** : 120 N/mm²
- Thermal expansion** : 0,01% per 10°C temperature increase.
- Temperature limits** : Permanent application from -80°C to +120°C. Brief heating up to +220°C.
- Benefits** : The central fastening hole in the bottom part of the KOZ TRI clamps means they can be fastened to e.g. masts and poles, as well as to concrete and fitting rails.



Initial torque for fastening fixing material : 5 – 8 Nm (depends on cable manufacturer's prescription).

All tests have been done by KEMA Netherlands, SGS Belgium, Underwriters Laboratories Inc. and Schneider France.

All products listed in this catalogue are fully compliant manufactured with the latest EU Directive 2011/65/EU (RoHS) list. Meeting all legal obligations under REACH.



Dimensions in millimeters

Type	DØ	L	B	I	dØ	H1	H2	h	A	C	Strength (N)
KOZ TRI 38-53	38-53	190	80	145	14,5	80-115	29	54	30	15	38.700

SPECIFICATIONS KOZ CABLE CLAMP TRI 53-66

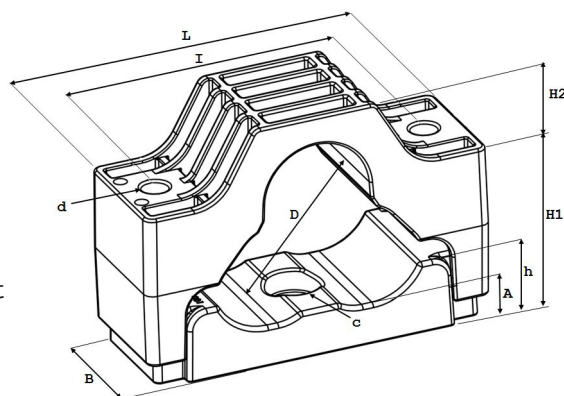
- Application** : Suitable for fitting 3 single- and multiple-conductor low- medium and high voltage cables.
- Range** : For cables with a nominal outer diameter from 53 up to 66 mm.
- Material** : Black polyamide, fibreglass-reinforced, virgin material. It is halogen-free and resistant to radioactive rays, UV rays, salt water, ozone, oils, acids, fuels and alkalis.
- Flame resistance** : UL94 V-0 and classification following DIN 5510-2:2009 with flammability class S3, smoke SR2 and dripping ST-2.
- Standards** : According to International Standard NEN-EN-IEC 61914:2009, Certificate of Conformity KOZ No 19044C by SGS.
- Flexure strength** : 210 N/mm²
- Tensile strength** : 120 N/mm²
- Thermal expansion** : 0,01% per 10°C temperature increase.
- Temperature limits** : Permanent application from -80°C to +120°C. Brief heating up to +220°C.
- Benefits** : The central fastening hole in the bottom part of the KOZ TRI clamps means they can be fastened to e.g. masts and poles, as well as to concrete and fitting rails.



Initial torque for fastening fixing material : 5 – 8 Nm
 (depends on cable manufacturer's prescription).

All tests have been done by KEMA Netherlands, SGS Belgium, Underwriters Laboratories Inc. and Schneider France.

All products listed in this catalogue are fully compliant manufactured with the latest EU Directive 2011/65/EU (RoHS) list Meeting all legal obligations under REACH.

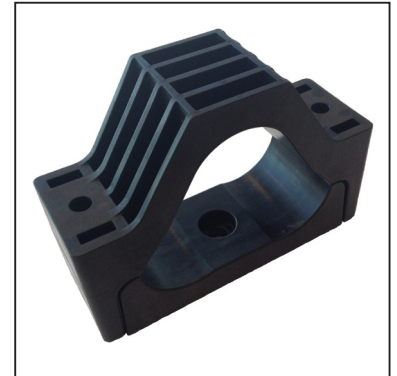


Dimensions in millimeters

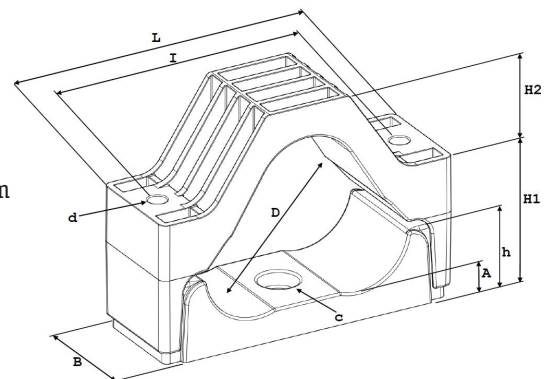
Type	DØ	L	B	I	dØ	H1	H2	h	A	C	Strength (N)
KOZ TRI 53-66	53-66	216	80	169	15	100-120	44	44	25	15,5	69.000

SPECIFICATIONS KOZ CABLE CLAMP TRI 67-82

- Application** : Suitable for fitting 3 single- and multiple-conductor low- medium and high voltage cables.
- Range** : For cables with a nominal outer diameter from 67 up to 82 mm.
- Material** : Black polyamide, fibreglass-reinforced, virgin material. It is halogen-free and resistant to radioactive rays, UV rays, salt water, ozone, oils, acids, fuels and alkalis.
- Flame resistance** : UL94 V-0 and classification following DIN 5510-2:2009 with flammability class S3, smoke SR2 and dripping ST-2.
- Standards** : According to International Standard NEN-EN-IEC 61914:2009, Certificate of Conformity KOZ No 19044C by SGS.
- Flexure strength** : 210 N/mm²
- Tensile strength** : 120 N/mm²
- Thermal expansion** : 0,01% per 10°C temperature increase.
- Temperature limits** : Permanent application from -80°C to +120°C. Brief heating up to +220°C.



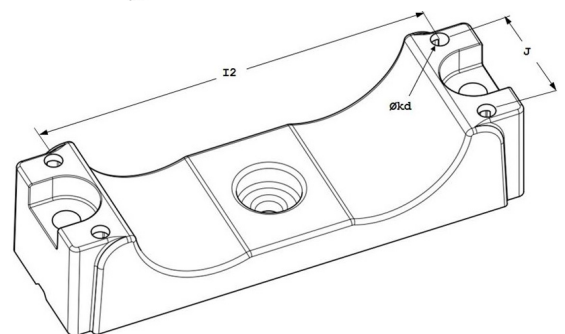
- Benefits** : The central fastening hole in the bottom part of the KOZ TRI clamps means they can be fastened to e.g. masts and poles, as well as to concrete and rails. The 4 holes in the top as well as in the bottom part of this lamp, means this clamp can be fastened on all kind of ladders, (basket) trays and support systems without drilling holes.



Initial torque for fastening fixing material : 5 – 8 Nm (depends on cable manufacturer's prescription).

All tests have been done by KEMA Netherlands, SGS Belgium, Underwriters Laboratories Inc. and Schneider France.

All products listed in this catalogue are fully compliant manufactured with the latest EU Directive 2011/65/EU (RoHS) list. Meeting all legal obligations under REACH.



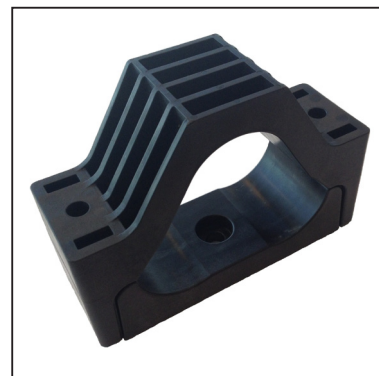
Dimensions in millimeters

Type	DØ	L	B	I	dØ	H1	H2	h	A	C	I2	J	kdØ	Strength (N)
KOZ TRI 67-82	67-82	250	90	200	16,5	130-164	44,3	61,5	26	16,5	216	60	8,5	48.000

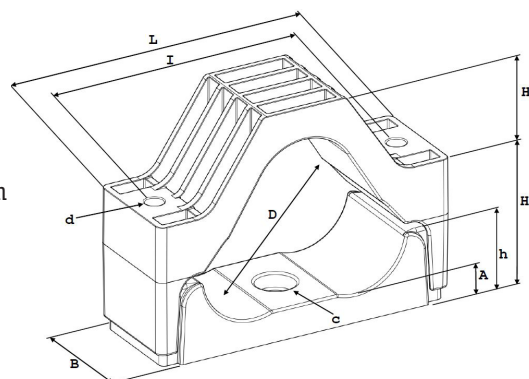
No rights may be derived from the indicated sizes, as the products are subject to ongoing development. KOZ Products BV therefore reserves the right to implement these changes without notice. For the most up-to-date information, visit our website.

SPECIFICATIONS KOZ CABLE CLAMP TRI 82-98

- Application** : Suitable for fitting 3 single- and multiple-conductor low- medium and high voltage cables.
- Range** : For cables with a nominal outer diameter from 82 up to 98 mm.
- Material** : Black polyamide, fibreglass-reinforced, virgin material. It is halogen-free and resistant to radioactive rays, UV rays, salt water, ozone, oils, acids, fuels and alkalis.
- Flame resistance** : UL94 V-0 and classification following DIN 5510-2:2009 with flammability class S3, smoke SR2 and dripping ST-2.
- Standards** : According to International Standard NEN-EN-IEC 61914:2009, Certificate of Conformity KOZ No 19044C by SGS.
- Flexure strength** : 210 N/mm²
- Tensile strength** : 120 N/mm²
- Thermal expansion** : 0,01% per 10°C temperature increase.
- Temperature limits** : Permanent application from -80°C to +120°C. Brief heating up to +220°C.



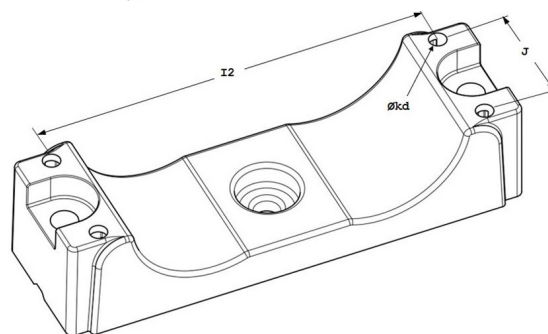
- Benefits** : The central fastening hole in the bottom part of the KOZ TRI clamps means they can be fastened to e.g. masts and poles, as well as to concrete and rails. The 4 holes in the top as well as in the bottom part of this lamp, means this clamp can be fastened on all kind of ladders, (basket) trays and support systems without drilling holes.



Initial torque for fastening fixing material : 5 – 8 Nm (depends on cable manufacturer's prescription).

All tests have been done by KEMA Netherlands, SGS Belgium, Underwriters Laboratories Inc. and Schneider France.

All products listed in this catalogue are fully compliant manufactured with the latest EU Directive 2011/65/EU (RoHS) list. Meeting all legal obligations under REACH.



Dimensions in millimeters

Type	DØ	L	B	I	dØ	H1	H2	h	A	C	I2	J	kdØ	Strength (N)
KOZ TRI 82-98	82-98	282	100	234	16,5	125-160	81	69,5	26	16,5	248	66	10,5	45.800

No rights may be derived from the indicated sizes, as the products are subject to ongoing development. KOZ Products BV therefore reserves the right to implement these changes without notice. For the most up-to-date information, visit our website.

SPECIFICATIONS KOZ CABLE CLAMPS

TRI 99-120 AND TRI 121-145

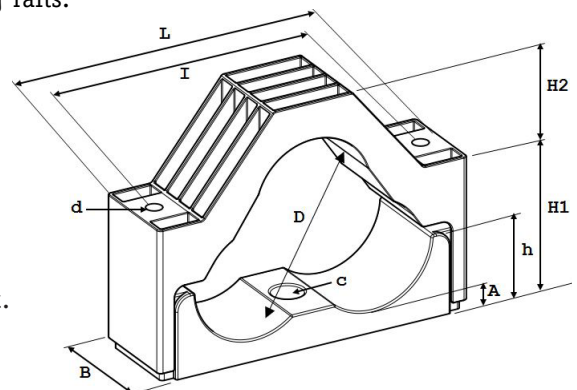
- Application** : Suitable for fitting 3 single- and multiple-conductor low- medium and high voltage cables.
- Range** : For cables with a nominal outer diameter from 99 up to 145 mm.
- Material** : Black polyamide, fibreglass-reinforced, virgin material. It is halogen-free and resistant to radioactive rays, UV rays, salt water, ozone, oils, acids, fuels and alkalis.
- Flame resistance** : UL94 V-0 and classification following DIN 5510-2:2009 with flammability class S3, smoke SR2 and dripping ST-2.
- Standards** : According to International Standard NEN-EN-IEC 61914:2009, Certificate of Conformity KOZ No 19044C by SGS.
- Flexure strength** : 210 N/mm²
- Tensile strength** : 120 N/mm²
- Thermal expansion** : 0,01% per 10°C temperature increase.
- Temperature limits** : Permanent application from -80°C to +120°C. Brief heating up to +220°C.
- Benefits** : The central fastening hole in the bottom part of the KOZ TRI clamps means they can be fastened to e.g. masts and poles, as well as to concrete and fitting rails.



Initial torque for fastening fixing material : 5 – 8 Nm (depends on cable manufacturer's prescription).

All tests have been done by KEMA Netherlands, SGS Belgium, Underwriters Laboratories Inc. and Schneider France.

All products listed in this catalogue are fully compliant manufactured with the latest EU Directive 2011/65/EU (RoHS) list. Meeting all legal obligations under REACH.



Dimensions in millimeters

Type	DØ	L	B	I	dØ	H1	H2	h	A	C	Strength (N)
KOZ TRI 99-120	99-120	342	115	288	19	155-203	98	88	33	18,5	65.000
KOZ TRI 121-145	121-145 (+5)	392	115	338	19	180-238	108	100	33	18,5	65.000

No rights may be derived from the indicated sizes, as the products are subject to ongoing development. KOZ Products BV therefore reserves the right to implement these changes without notice. For the most up-to-date information, visit our website.

SPECIFICATIONS KOZ CABLE CLAMPS

TRI ECO 24-35 AND TRI ECO 33-46 (11)

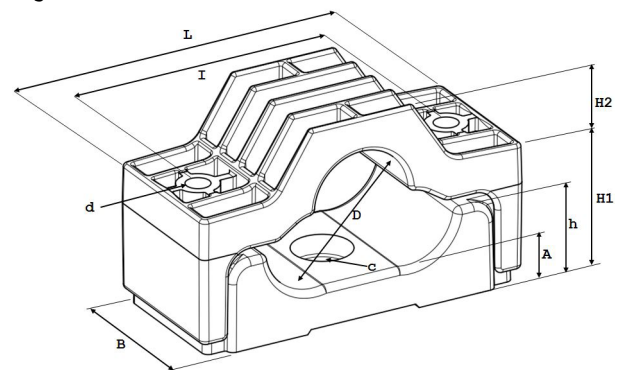
- Application** : Suitable for fitting 3 single- and multiple-conductor low- medium and high voltage cables.
- Range** : For cables with a nominal outer diameter from 24 up to 46 mm.
- Material** : Black polyamide, fibreglass-reinforced, virgin material. It is halogen-free and resistant to radioactive rays, UV rays, salt water, ozone, oils, acids, fuels and alkalis.
- Flame resistance** : UL94 V-0 and classification following DIN 5510-2:2009 with flammability class S3, smoke SR2 and dripping ST-2.
- Standards** : According to International Standard NEN-EN-IEC 61914:2009, Certificate of Conformity KOZ No 19044C by SGS.
- Flexure strength** : 210 N/mm²
- Tensile strength** : 120 N/mm²
- Thermal expansion** : 0,01% per 10°C temperature increase.
- Temperature limits** : Permanent application from -80°C to +120°C. Brief heating up to +220°C.
- Benefits** : The central fastening hole in the bottom part of the KOZ TRI eco clamps means they can be fastened to e.g. masts and poles, as well as to concrete and fitting rails.



Initial torque for fastening fixing material : 5 – 8 Nm (depends on cable manufacturer's prescription).

All tests have been done by KEMA Netherlands, SGS Belgium, Underwriters Laboratories Inc. and Schneider France.

All products listed in this catalogue are fully compliant manufactured with the latest EU Directive 2011/65/EU (RoHS) list. Meeting all legal obligations under REACH.



Dimensions in millimeters

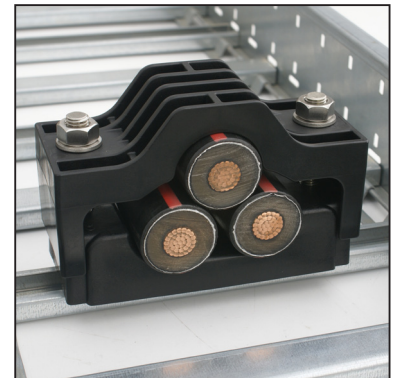
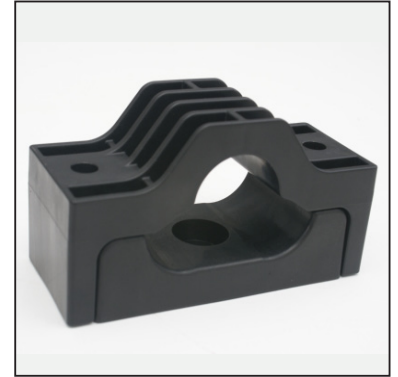
Type	DØ	L	B	I	dØ	H1	H2	h	A	C	Strength (N)
KOZ TRI eco 24-35	24-35	136	70	101	11	54-78	20	35	20	11	15.000
KOZ TRI eco 33-46 (11)	33-46	156	70	121	11	58-90	30	41	20	11	16.900

No rights may be derived from the indicated sizes, as the products are subject to ongoing development. KOZ Products BV therefore reserves the right to implement these changes without notice. For the most up-to-date information, visit our website.

SPECIFICATIONS KOZ CABLE CLAMPS

TRI ECO 33-46 (13) AND TRI ECO 47-66

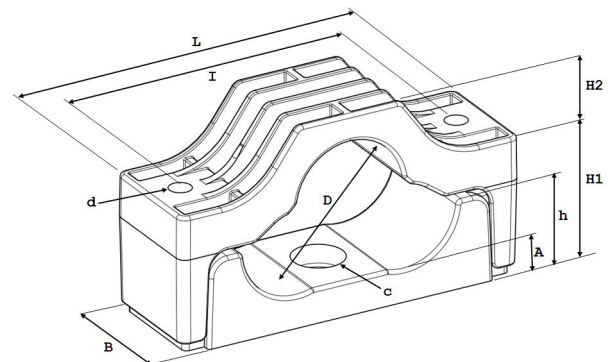
- Application** : Suitable for fitting 3 single- and multiple-conductor low- medium and high voltage cables.
- Range** : For cables with a nominal outer diameter from 33 up to 66 mm.
- Material** : Black polyamide, fibreglass-reinforced, virgin material. It is halogen-free and resistant to radioactive rays, UV rays, salt water, ozone, oils, acids, fuels and alkalis.
- Flame resistance** : UL94 V-0 and classification following DIN 5510-2:2009 with flammability class S3, smoke SR2 and dripping ST-2.
- Standards** : According to International Standard NEN-EN-IEC 61914:2009, Certificate of Conformity KOZ No 19044C by SGS.
- Flexure strength** : 210 N/mm²
- Tensile strength** : 120 N/mm²
- Thermal expansion** : 0,01% per 10°C temperature increase.
- Temperature limits** : Permanent application from -80°C to +120°C. Brief heating up to +220°C.
- Benefits** : The central fastening hole in the bottom part of the KOZ TRI eco clamps means they can be fastened to e.g. masts and poles, as well as to concrete and fitting rails.



Initial torque for fastening fixing material : 5 – 8 Nm (depends on cable manufacturer's prescription).

All tests have been done by KEMA Netherlands, SGS Belgium, Underwriters Laboratories Inc. and Schneider France.

All products listed in this catalogue are fully compliant manufactured with the latest EU Directive 2011/65/EU (RoHS) list. Meeting all legal obligations under REACH.



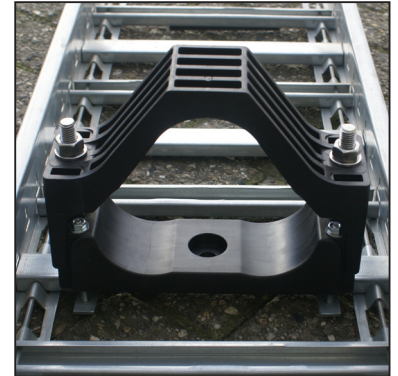
Dimensions in millimeters

Type	DØ	L	B	I	dØ	H1	H2	h	A	C	Strength (N)
KOZ TRI eco 33-46 (13)	33-46	166	70	130	13	64-86	29	38	20	13	20.300
KOZ TRI eco 47-66	47-66	205	70	170	13	80-120	38	51	19	13	22.300

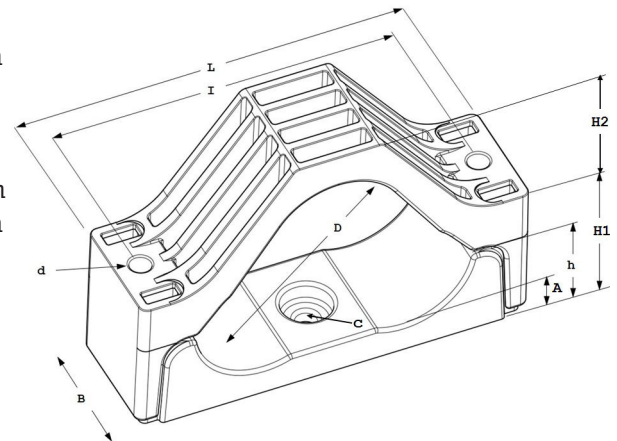
No rights may be derived from the indicated sizes, as the products are subject to ongoing development. KOZ Products BV therefore reserves the right to implement these changes without notice. For the most up-to-date information, visit our website.

SPECIFICATIONS KOZ CABLE CLAMP TRI ECO 67-82

- Application : Suitable for fitting 3 single- and multiple-conductor low- medium and high voltage cables.
- Range : For cables with a nominal outer diameter from 67 up to 82 mm.
- Material : Black polyamide, fibreglass-reinforced, virgin material. It is halogen-free and resistant to radioactive rays, UV rays, salt water, ozone, oils, acids, fuels and alkalis.
- Flame resistance : UL94 V-0 and classification following DIN 5510-2:2009 with flammability class S3, smoke SR2 and dripping ST-2.
- Testing : According to International Standard NEN-EN-IEC 61914:2009, Certificate of Conformity KOZ No 19044C by SGS.
- Flexure strength : 210 N/mm²
- Tensile strength : 120 N/mm²
- Thermal expansion : 0,01% per 10°C temperature increase.
- Temperature limits : Permanent application from -80°C to +120°C. Brief heating up to +220°C.



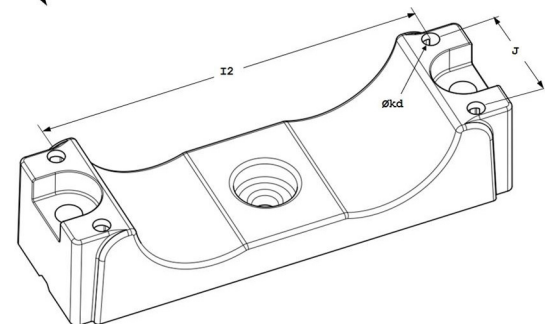
- Benefits : The central fastening hole in the bottom part of the KOZ TRI clamps means they can be fastened to e.g. masts and poles, as well as to concrete and rails. The 4 holes in the top as well as in the bottom part of this clamp, means this clamp can be fastened on all kind of ladders, (basket) trays and support systems without drilling holes.



Initial torque for fastening fixing material : 5 – 8 Nm (depends on cable manufacturer's prescription).

All tests have been done by KEMA Netherlands, SGS Belgium Underwriters Laboratories Inc. and Schneider France.

All products listed in this catalogue are fully compliant manufactured with the latest EU Directive 2011/65/EU (RoHS) list. Meeting all legal obligations under REACH.



Dimensions in millimeters

Type	DØ	L	B	I	dØ	H1	H2	h	A	C	I2	J	kdØ	Strength (N)
KOZ TRI eco 67-82	67-82	232	70	200	12,5	90-121	72	52,5	17	12,5	190	50	8,3	23.900

No rights may be derived from the indicated sizes, as the products are subject to ongoing development. KOZ Products BV therefore reserves the right to implement these changes without notice. For the most up-to-date information, visit our website.

No part of this publication may be reproduced without the knowledge and specific permission of * KOZ Products BV. Version 06

SPECIFICATIONS KOZ CABLE BLOCK UNI 3x 13-32

- Application** : Suitable for fitting a number of single- and multiple-conductor low, medium and high voltage cables alongside or in layers upon each other.
- Range** : For cables with a nominal outer diameter from 13 up to 32 mm.
- Material** : Black polyamide, fibreglass-reinforced, virgin material. It is halogen-free and resistant to radioactive rays, UV rays, salt water, ozone, oils, acids, fuels and alkalis.
- Flame resistance** : UL94 V-0 and classification following DIN 5510-2:2009 with flammability class S3, smoke SR2 and dripping ST-2.
- Standards** : According to International Standard NEN-EN-IEC 61914:2009, Certificate of Conformity KOZ No 19044C by SGS.
- Flexure strength** : 210 N/mm²
- Tensile strength** : 120 N/mm²
- Thermal expansion** : 0,01% per 10°C temperature increase.
- Temperature limits** : Permanent application from -80°C to +120°C. Brief heating up to +220°C.
- Benefits** : The KOZ UNI blocks are designed in such a way that these blocks can be easily shortened as well as increased due to its unique dovetail construction. This has resulted in a cable block which can be used in a number of ways to suit your needs.

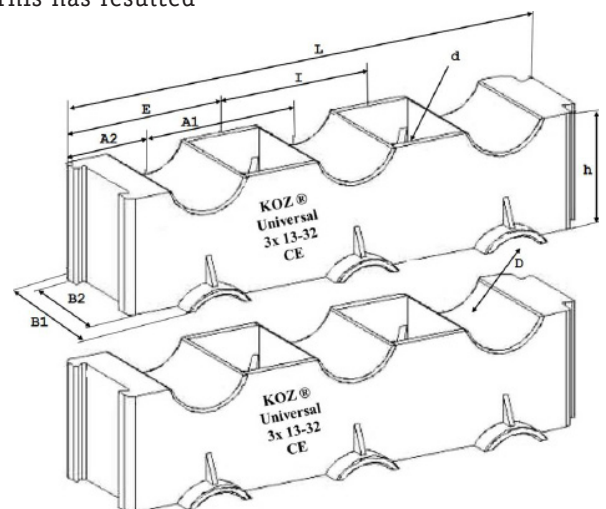


Initial torque for fastening fixing material : 5 – 8 Nm (depends on cable manufacturer's prescription).

All tests have been done by KEMA Netherlands, SGS Belgium, Underwriters Laboratories Inc. and Schneider France.

All products listed in this catalogue are fully compliant manufactured with the latest EU Directive 2011/65/EU (RoHS) list.

Meeting all legal obligations under REACH.

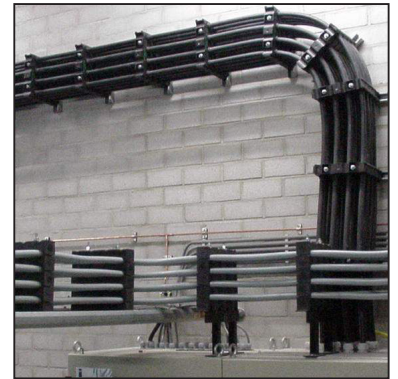


Dimensions in millimeters

Type	DØ	L	I	E	A1	A2	B1	B2	dØ	h	Strength (N)
KOZ UNI 3x 13-32	13-32	186,5	60,5	62,75	60,5	32,25	61	45	10,5	43	19.500

SPECIFICATIONS KOZ CABLE BLOCK UNI 4x 13-32

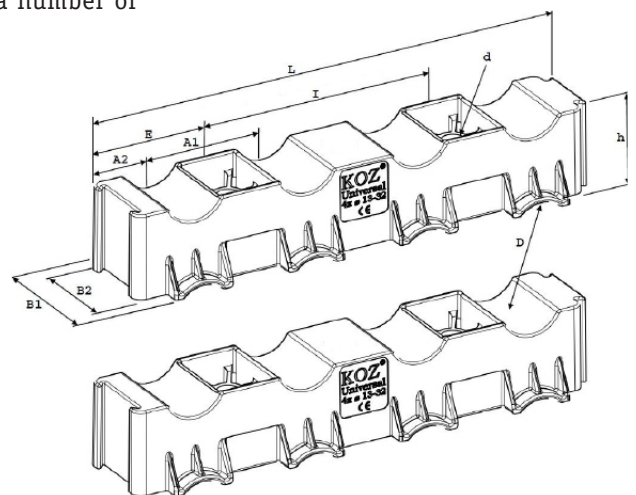
- Application** : Suitable for fitting a number of single- and multiple-conductor low, medium and high voltage cables alongside or in layers upon each other.
- Range** : For cables with a nominal outer diameter from 13 up to 32 mm.
- Material** : Black polyamide, fibreglass-reinforced, virgin material. It is halogen-free and resistant to radioactive rays, UV rays, salt water, ozone, oils, acids, fuels and alkalis.
- Flame resistance** : UL94 V-0 and classification following DIN 5510-2:2009 with flammability class S3, smoke SR2 and dripping ST-2.
- Standards** : According to International Standard NEN-EN-IEC 61914:2009, Certificate of Conformity KOZ No 19044C by SGS.
- Flexure strength** : 210 N/mm²
- Tensile strength** : 120 N/mm²
- Thermal expansion** : 0,01% per 10°C temperature increase.
- Temperature limits** : Permanent application from -80°C to +120°C. Brief heating up to +220°C.
- Benefits** : The KOZ UNI blocks are designed in such a way that these blocks can be easily shortened as well as increased due to its unique dovetail construction. This has resulted in a cable block which can be used in a number of ways to suit your needs.



Initial torque for fastening fixing material : 5 – 8 Nm (depends on cable manufacturer's prescription).

All tests have been done by KEMA Netherlands, SGS Belgium, Underwriters Laboratories Inc. and Schneider France.

All products listed in this catalogue are fully compliant manufactured with the latest EU Directive 2011/65/EU (RoHS) list. Meeting all legal obligations under REACH.



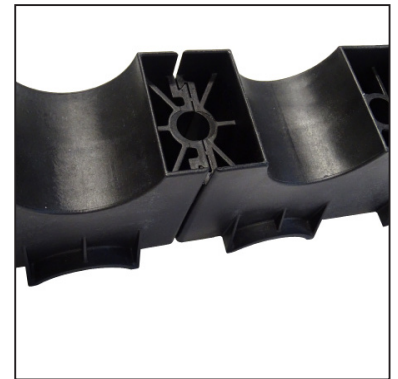
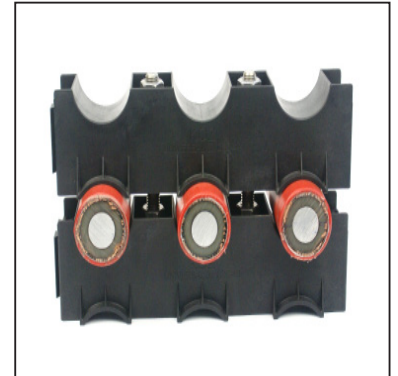
Dimensions in millimeters

Type	DØ	L	I	E	A1	A2	B1	B2	dØ	h	Strength (N)
KOZ UNI 4x 13-32	13-32	246,5	121	62,75	60,5	32,25	61	45	10,5	43	32.500

No rights may be derived from the indicated sizes, as the products are subject to ongoing development. KOZ Products BV therefore reserves the right to implement these changes without notice. For the most up-to-date information, visit our website.

SPECIFICATIONS KOZ CABLE BLOCK UNI 3x 30-49

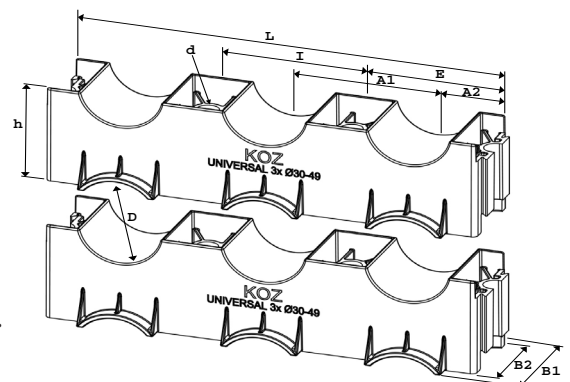
- Application** : Suitable for fitting a number of single- and multiple-conductor low, medium and high voltage cables alongside or in layers upon each other.
- Range** : For cables with a nominal outer diameter from 30 up to 49 mm.
- Material** : Black polyamide, fibreglass-reinforced, virgin material. It is halogen-free and resistant to radioactive rays, UV rays, salt water, ozone, oils, acids, fuels and alkalis.
- Flame resistance** : UL94 V-0 and classification following DIN 5510-2:2009 with flammability class S3, smoke SR2 and dripping ST-2.
- Standards** : According to International Standard NEN-EN-IEC 61914:2009, Certificate of Conformity KOZ No 19044C by SGS.
- Flexure strength** : 210 N/mm²
Tensile strength : 120 N/mm²
Thermal expansion : 0,01% per 10°C temperature increase.
- Temperature limits** : Permanent application from -80°C to +120°C. Brief heating up to +220°C.
- Benefits** : The KOZ UNI blocks are designed in such a way that these blocks can be easily shortened as well as increased due to its unique dovetail construction. The KOZ UNI 3x 30-49 is designed that when you connect 2 parts it creates an extra fixing point. Depending on the fixing installation, this extra fixing point gives you the option to use less fixing materials.



Initial torque for fastening fixing material : 5 – 8 Nm (depends on cable manufacturer's prescription).

All tests have been done by KEMA Netherlands, SGS Belgium, Underwriters Laboratories Inc. and Schneider France.

All products listed in this catalogue are fully compliant manufactured with the latest EU Directive 2011/65/EU (RoHS)list. Meeting all legal obligations under REACH.



Dimensions in millimeters

Type	DØ	L	I	E	A1	A2	B1	B2	dØ	h	Strength (N)
KOZ UNI 3x 30-49	30-49	255	85	83	85	40	66	50	13	65	41.700

No rights may be derived from the indicated sizes, as the products are subject to ongoing development. KOZ Products BV therefore reserves the right to implement these changes without notice. For the most up-to-date information, visit our website.

No part of this publication may be reproduced without the knowledge and specific permission of * KOZ Products BV. Version 06

SPECIFICATIONS KOZ CABLE BLOCK UNI 4x 30-47

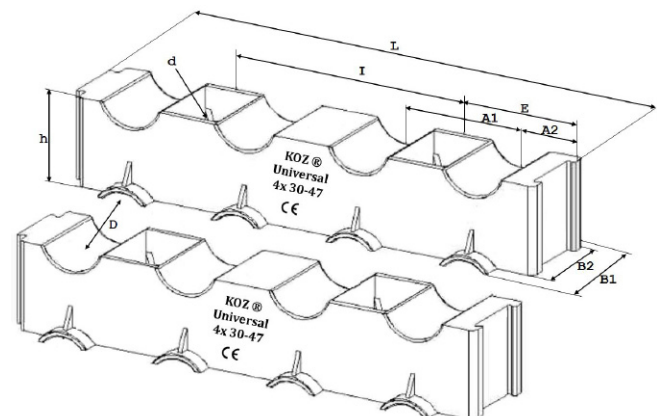
- Application** : Suitable for fitting a number of single- and multiple-conductor low, medium and high voltage cables alongside or in layers upon each other.
- Range** : For cables with a nominal outer diameter from 30 up to 47 mm.
- Material** : Black polyamide, fibreglass-reinforced, virgin material. It is halogen-free and resistant to radioactive rays, UV rays, salt water, ozone, oils, acids, fuels and alkalis.
- Flame resistance** : UL94 V-0 and classification following DIN 5510-2:2009 with flammability class S3, smoke SR2 and dripping ST-2.
- Standards** : According to International Standard NEN-EN-IEC 61914:2009, Certificate of Conformity KOZ No 19044C by SGS.
- Flexure strength** : 210 N/mm²
- Tensile strength** : 120 N/mm²
- Thermal expansion** : 0,01% per 10°C temperature increase.
- Temperature limits** : Permanent application from -80°C to +120°C. Brief heating up to +220°C.
- Benefits** : The KOZ UNI blocks are designed in such a way that these blocks can be easily shortened as well as increased due to its unique dovetail construction. This has resulted in a cable block which can be used in a number of ways to suit your needs.



Initial torque for fastening fixing material : 5 – 8 Nm (depends on cable manufacturer's prescription).

All tests have been done by KEMA Netherlands, SGS Belgium, Underwriters Laboratories Inc. and Schneider France.

All products listed in this catalogue are fully compliant manufactured with the latest EU Directive 2011/65/EU (RoHS) list. Meeting all legal obligations under REACH.



Dimensions in millimeters

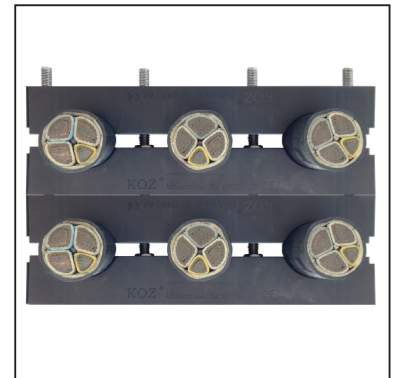
Type	DØ	L	I	E	A1	A2	B1	B2	dØ	h	Strength (N)
KOZ UNI 4x 30-47	30-47	345	170	87,5	85	44,5	66	50	12,5	65	27.400

No rights may be derived from the indicated sizes, as the products are subject to ongoing development. KOZ Products BV therefore reserves the right to implement these changes without notice. For the most up-to-date information, visit our website.

No part of this publication may be reproduced without the knowledge and specific permission of * KOZ Products BV. Version 06

SPECIFICATIONS KOZ CABLE BLOCK UNI 3x 45-67

- Application** : Suitable for fitting a number of single- and multiple-conductor low, medium and high voltage cables alongside or in layers upon each other.
- Range** : For cables with a nominal outer diameter from 45 up to 67 mm.
- Material** : Black polyamide, fibreglass-reinforced, virgin material. It is halogen-free and resistant to radioactive rays, UV rays, salt water, ozone, oils, acids, fuels and alkalis.
- Flame resistance** : UL94 V-0 and classification following DIN 5510-2:2009 with flammability class S3, smoke SR2 and dripping ST-2.
- Standards** : According to International Standard NEN-EN-IEC 61914:2009, Certificate of Conformity KOZ No 19044C by SGS.
- Flexure strength** : 210 N/mm²
- Tensile strength** : 120 N/mm²
- Thermal expansion** : 0,01% per 10°C temperature increase.
- Temperature limits** : Permanent application from -80°C to +120°C. Brief heating up to +220°C.
- Benefits** : The KOZ UNI blocks are designed in such a way that these blocks can be easily shortened as well as increased due to its unique dovetail construction. This has resulted in a cable block which can be used in a number of ways to suit your needs.

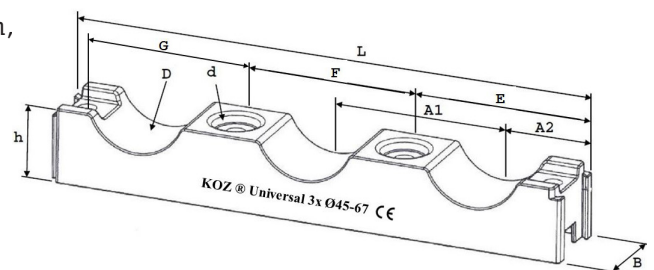


Initial torque for fastening fixing material : 5 – 8 Nm (depends on cable manufacturer's prescription).

All tests have been done by KEMA Netherlands, SGS Belgium, Underwriters Laboratories Inc. and Schneider France.

All products listed in this catalogue are fully compliant manufactured with the latest EU Directive 2011/65/EU (RoHS) list.

Meeting all legal obligations under REACH.



Dimensions in millimeters

Type	DØ	L	E	F	G	A1	A2	B	dØ	h	Strength (N)
KOZ UNI 3x 45-67	45-67	356	118	117	103,5	117	61	55	12,5	50	70.000

No rights may be derived from the indicated sizes, as the products are subject to ongoing development. KOZ Products BV therefore reserves the right to implement these changes without notice. For the most up-to-date information, visit our website.

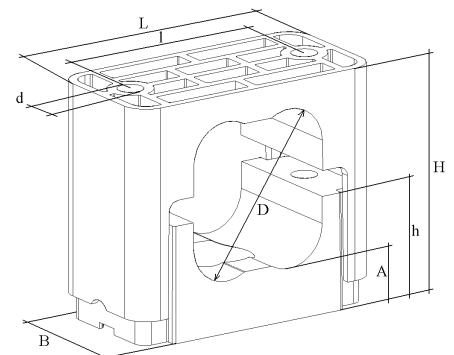
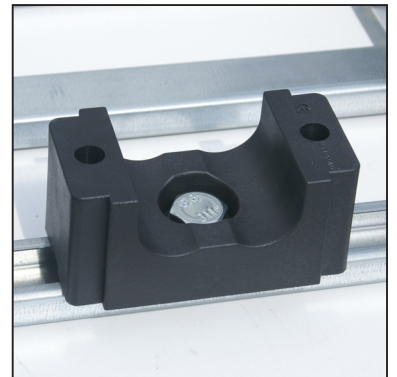
No part of this publication may be reproduced without the knowledge and specific permission of * KOZ Products BV. Version 06

SPECIFICATIONS KOZ CABLE CLAMP SQ 28

- Application** : Suitable for fitting 4 single- and multiple-conductor low- medium and high voltage cables.
- Range** : For cables with a nominal outer diameter from 26,6 up to 28,7 mm.
- Material** : Black polyamide, fibreglass-reinforced, virgin material. It is halogen-free and resistant to radioactive rays, UV rays, salt water, ozone, oils, acids, fuels and alkalis.
- Flame resistance** : UL94 V-0 and classification following DIN 5510-2:2009 with flammability class S3, smoke SR2 and dripping ST-2.
- Standards** : According to International Standard NEN-EN-IEC 61914:2009, Certificate of Conformity KOZ No 16881C by SGS.
- Flexure strength** : 210 N/mm²
- Tensile strength** : 120 N/mm²
- Thermal expansion** : 0,01% per 10°C temperature increase.
- Temperature limits** : Permanent application from -80°C to +120°C. Brief heating up to +220°C.
- Benefits** : The central fastening hole in the bottom part of the KOZ SQ clamps means they can be fastened to e.g. masts and poles, as well as to concrete and fitting rails.
- Initial torque for fastening fixing material** : 5 – 8 Nm (depends on cable manufacturer's prescription).

All tests have been done by KEMA Netherlands, SGS Belgium, Underwriters Laboratories Inc. and Schneider France.

All products listed in this catalogue are fully compliant manufactured with the latest EU Directive 2011/65/EU (RoHS) list. Meeting all legal obligations under REACH.



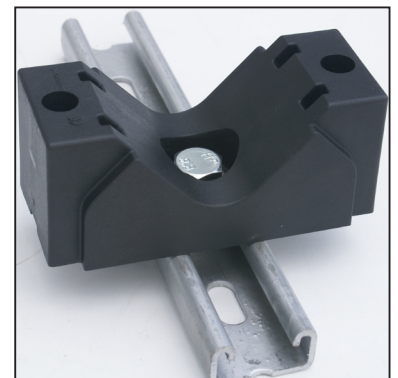
Dimensions in millimeters

Type	DØ	L	B	I	dØ	H	h	A	C	Strength (N)
KOZ SQ 28	26,6-28,7	110	55	60	10,5	88-91,4	47	22	12,5	49.000

No rights may be derived from the indicated sizes, as the products are subject to ongoing development. KOZ Products BV therefore reserves the right to implement these changes without notice. For the most up-to-date information, visit our website.

SPECIFICATIONS KOZ CABLE CLAMP SQ 25-35

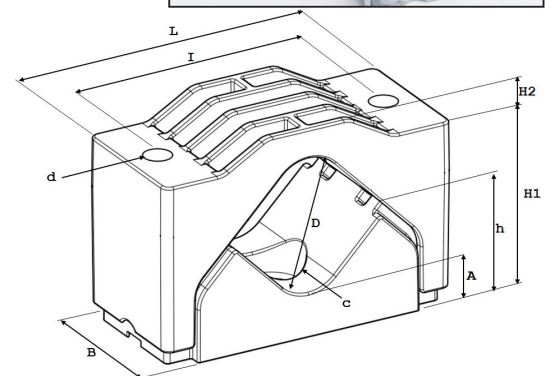
- Application** : Suitable for fitting 4 single- and multiple-conductor low- medium and high voltage cables.
- Range** : For cables with a nominal outer diameter from 25 up to 35 mm.
- Material** : Black polyamide, fibreglass-reinforced, virgin material. It is halogen-free and resistant to radioactive rays, UV rays, salt water, ozone, oils, acids, fuels and alkalis.
- Flame resistance** : UL94 V-0 and classification following DIN 5510-2:2009 with flammability class S3, smoke SR2 and dripping ST-2.
- Standards** : According to International Standard NEN-EN-IEC 61914:2009, Certificate of Conformity KOZ No 19044C by SGS.
- Flexure strength** : 210 N/mm²
- Tensile strength** : 120 N/mm²
- Thermal expansion** : 0,01% per 10°C temperature increase.
- Temperature limits** : Permanent application from -80°C to +120°C. Brief heating up to +220°C.
- Benefits** : The central fastening hole in the bottom part of the KOZ SQ clamps means they can be fastened to e.g. masts and poles, as well as to concrete and fitting rails.



Initial torque for fastening fixing material : 5 – 8 Nm
 (depends on cable manufacturer's prescription).

All tests have been done by KEMA Netherlands, SGS Belgium, Underwriters Laboratories Inc. and Schneider France.

All products listed in this catalogue are fully compliant manufactured with the latest EU Directive 2011/65/EU (RoHS) list. Meeting all legal obligations under REACH.



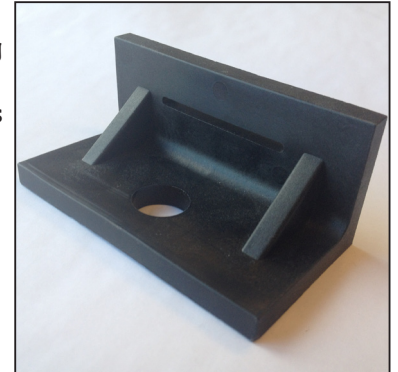
Dimensions in millimeters

Type	DØ	L	B	I	dØ	H1	H2	h	A	C	Strength (N)
KOZ SQ 25-35	25-35	138	65	110	12,5	80-108	12,5	56	21	12,5	37.000

No rights may be derived from the indicated sizes, as the products are subject to ongoing development. KOZ Products BV therefore reserves the right to implement these changes without notice. For the most up-to-date information, visit our website.

SPECIFICATIONS KOZ TYPE B-TOOL

Application : KOZ B-tool is the tool to assemble KOZ cable clamps and cable blocks on a straight or round pole, without damaging these (by drilling, sawing etc.). The KOZ B-tools are universal and can be used for all types of KOZ cable clamps and cable blocks. The B-tools can also be used to assemble other products on straight or round poles.



Range : There are 2 types of the B-tool:

B-tools S, is suitable for:

KOZ ST 18-26, 26-38, 36-52, 50-75

KOZ STC 21-38, 36-52, 46-75

KOZ TRI eco 24-35, 33-46, 47-66

KOZ UNI 3x 13-32, 4x 13-32, 3x 30-49, 4x 30-47, 3x 45-67

KOZ SQ 28, 25-35

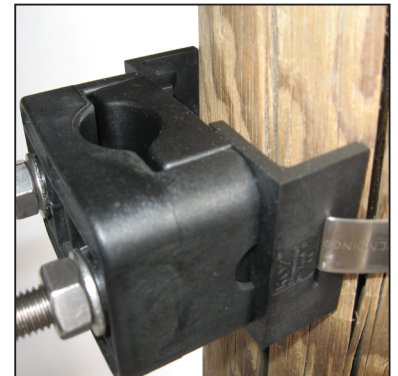
B-tool L, is suitable for:

KOZ ST 75-100, 100-130

KOZ STC 72-100, 120-160

KOZ TRI eco 67-82

KOZ TRI 25-40, 38-53, 53-66, 67-82, 82-98



Material : Black polyamide, fibreglass-reinforced, virgin material. It is halogen-free and resistant to radioactive rays, UV rays, salt water, ozone, oils, acids, fuels and alkalis.

Flame resistance : UL94 V-0 and classification following DIN 5510-2:2009 with flammability class S3, smoke SR2 and dripping ST-2.

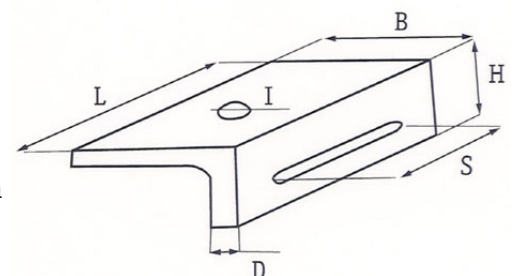
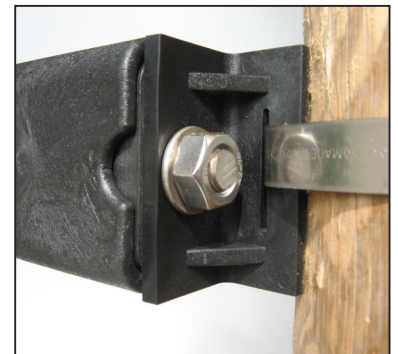
Flexure strength : 210 N/mm²

Tensile strength : 120 N/mm²

Thermal expansion : 0,01% per 10°C temperature increase.

Temperature limits : Permanent application from -80°C to +120°C. Brief heating up to +220°C.

Benefits : B-tools can be assembled by using a steel tie. You can turn the B-tool inside or outside, depending the diameter of the pole, as shown on the pictures.

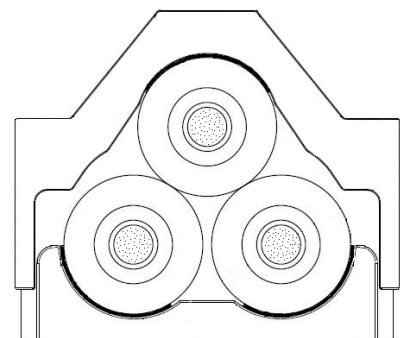
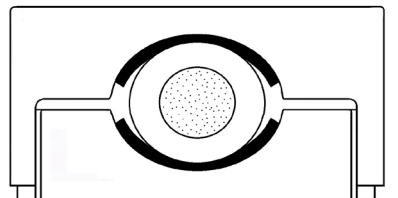
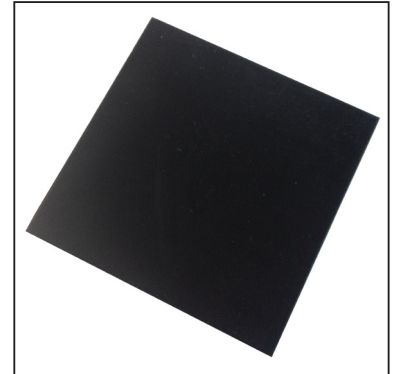


Dimensions in millimeters

Type	L	B	I	D	S	H
KOZ B-tool S	60	35	12,5	5	26-2	32
KOZ B-tool L	80	42	14,5	6	40-2	34

SPECIFICATIONS KOZ NEOPRENE INLAYS

- Application** : Local covering of the cable, with the aim to eliminate slight diameter changes which can be caused by tightening the mounting nuts to tightly or by changes in the surrounding temperatures. Furthermore, it provides a more stable fixation of cables that are mounted vertically. The neoprene inlays are also suitable for fixing cables with a smaller diameter than what is available in the KOZ cable clamps or cable blocks range.
- Range of sizes** : The neoprene inlays are suitable for ST, STC, TRI eco, TRI, UNI and SQ series.
- Thickness** : Available in 2 mm up to 6 mm thickness.
- Material** : CR, black, high-grade neoprene material. It is resistant to acid, ozone, weather, strong bases and the most aliphatic oils.
- Flame resistance** : Self-extinguishing according to ISO 4589-2:1999, O2-Index > 30 %
- Testing** : Sliding axial load test according to the International Standard NEN-EN-IEC 61914:2009.
- Temperature limits** : The sliding axial load test was done at +120°C
- Benefits** :
 - Adds more grip for the cable during vertical installation
 - Does not damage the cable
 - High grade
 - Self-extinguishing
 - Resistant to most aliphatic oils



SPECIFICATION KOZ CLEAT COVER

FUNCTIONAL INTEGRITY

Application : KOZ cleat covers are suitable (in addition to the existing-cable cleat) to maintain a functional integrity for the cable cleat whenever a situation can occur where a loss of functional integrity is most likely.

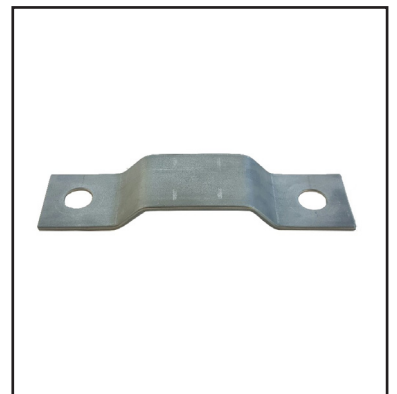
By using the cleat covers the KOZ cable cleats are in accordance with the relevant requirements of the Lloyd's Register Type Approval System.

In this certification is remarked that every 2 meter a metal cleat cover is required.

Range of sizes : The cleat covers are for every KOZ cable cleat and the KOZ UNI 3x 45-67 available.

Material : Available in stainless steel 304 en 316 (SS), Hot Dip Galvanized (HDG) and zinc plated (ZP).

Certification : All KOZ cable cleats and cable blocks are tested and certified in accordance with the Marine standards of the Lloyd's Register Type Approval System. Certificate nr. 15/30007.



SPECIFICATIONS KOZ SPECIALS (CUSTOM MADE)

Application : KOZ Products B.V. specials blocks can be designed specifically to your specifications, to provide the best way of fitting low-, medium- and high-voltage cables in multiples alongside and in layers above each other.

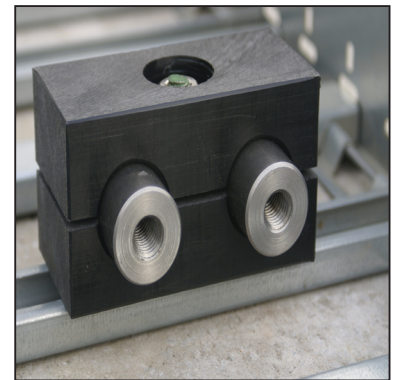
The high (moulded) density of our material means no air will enter, as occurs with other brands of products made from recycled materials.

When there are large quantities involved we may explore the option of creating a mold for mass production.



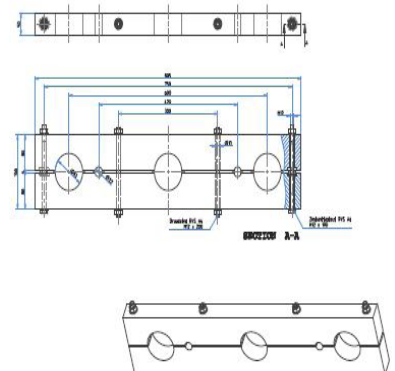
Range of sizes : They can be produced in practically any desired cable configuration.

Material : Black, high-grade polyethen or polyamide virgin material.



Testing : It is possible to perform an lateral or axial load test according to the International Standard NEN-EN-IEC 61914:2009.

Procedures : When starting the process of making a custom made clamp or block, to help solve your technical problem, we need a detailed description of the problem at hand, preferably with a drawing. KOZ Products B.V. will make an final drawing and quotation for approval and starts the process of making the custom made product. Further details will be enclosed in the quotation such as prices and delivery times.



No rights may be derived from the indicated sizes, as the products are subject to ongoing development. KOZ Products BV therefore reserves the right to implement these changes without notice. For the most up-to-date information, visit our website.