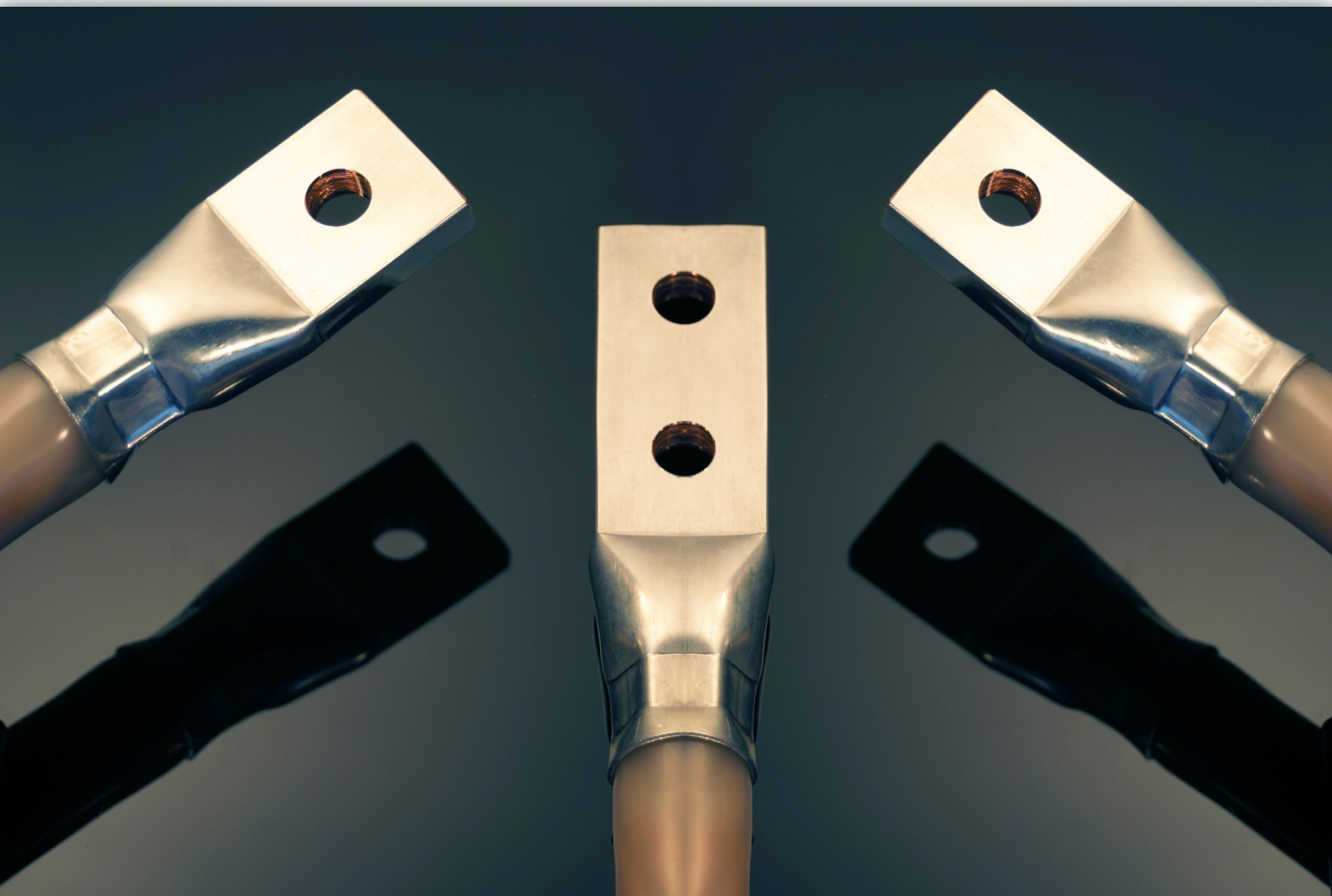


druseidt

Elektrotechnik



Highly flexible silicone insulated copper cables
ready-made with additional
insulation crimp

© January 2016

Paul Druseidt
Elektrotechnische Spezialfabrik GmbH & Co. KG
Neuenkamper Str. 105
42855 Remscheid

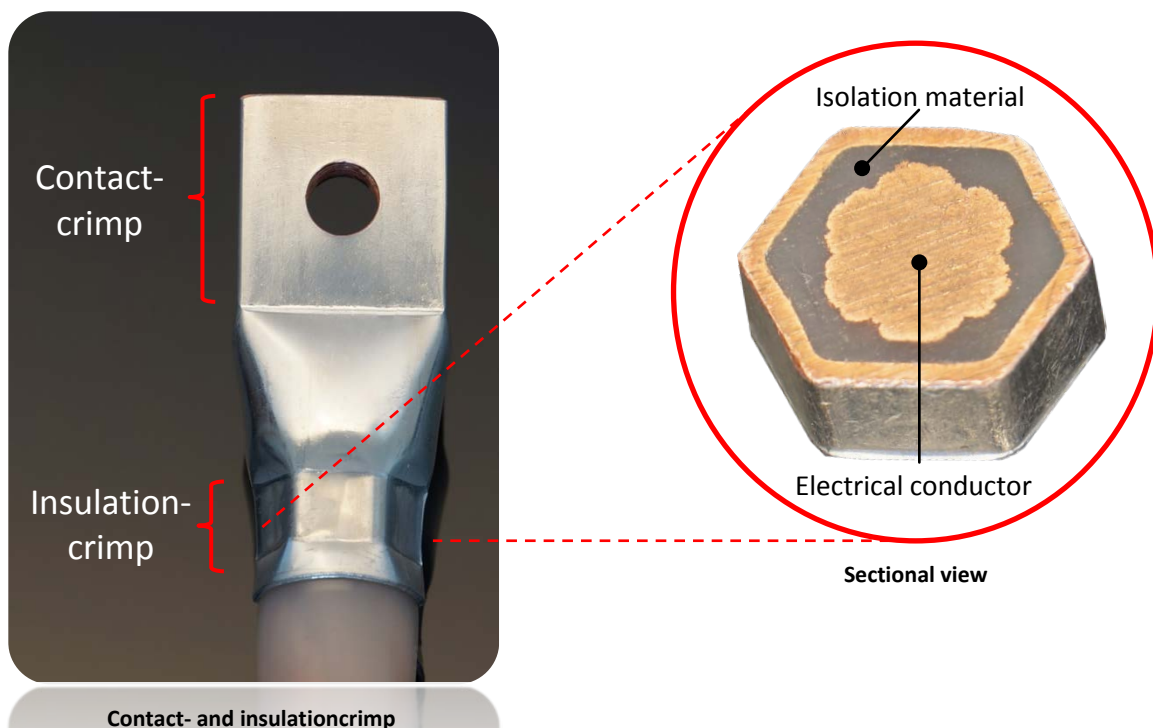
Germany

Phone: +49 (2191) 9352-0
Fax: +49 (2191) 9352-150

Web: www.druseidt.de
Shop: www.shop.druseidt.de
Mail: info@druseidt.de

Advantages of the solderless crimped druseidt connections

- Special druseidt crimp-technology with extensive contact- and additional insulation crimp.
- Ideally suited for applications with vibrations (for example within the railway- and wind-power-industry as well as for use in screening machines).
- The additional insulation crimp shifts the breakpoint of occurring vibrations to the isolated part of the line and offers additional protection against the ingress of moisture or dirt.
- Thus, no additional heat shrink tubing is required for sealing and a breaking of the electrical conductor at the junction cable lug/cable is prevented.
- This significantly increases the life time compared to cables with crimped cable lugs.
- In the region of the contact areas the cables/wires are solderless crimped under very high pressure. Therefore electrical resistances are minimized, a breaking of the contact areas nearly ruled out and a high electrical aging ability of the connection is realized.
- Adequately sized contact areas allow an optimized screwing by using clamping discs according to DIN 6796.
- By request, it is possible to change the dimensions of the contact areas, number, diameter and position of the drill holes, if technically possible.



Single insulated extruded silicone copper cables 1,8 / 3 kV

Technical data:

Electrical conductor

- Highly flexible copper cables out of Cu-ETP wires according to DIN EN 13602
- Uncoated, soft annealed
- In special stranding
- Single wire- \varnothing 0,07 mm (10 + 16 mm²)
- Single wire- \varnothing 0,10 mm (25-300 mm²)

Insulation

- Silicone ca. 60 Shore A
- With reinforced insulation material, but still highly flexible
- Operating voltage 1,8/3 kV

- Insulation free of halogen and self-extinguishing
- For a temperature range - 50° C up to + 180° C

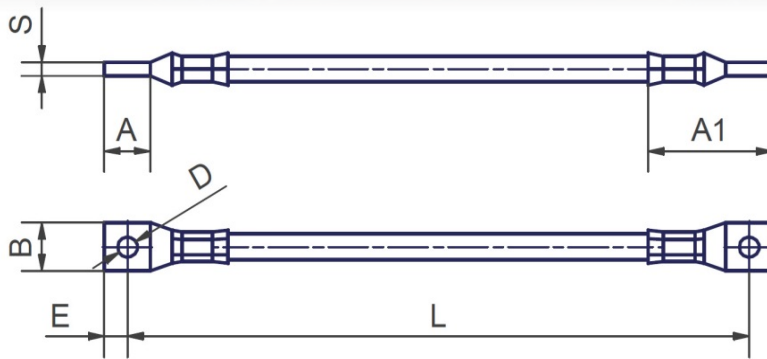
Approvals

- UL-approved up to 300 mm²
- Fire tested silicone copper cables up to 240 mm², for example for the railway sector according to:

DIN EN 60332-1-2	DIN EN 61034-2
DIN EN 60332-24	DIN EN 50305 9.2
DIN EN 45545-2 hazard level HL2 for indoor- and HL3 for outdoor use	

Highly flexible power connections

consisting out of extruded silicone cable
with solderless crimped contact areas



Technical data:

Conductor

- Highly flexible round stranded copper cable single wire-Ø: 0,07 mm (10 + 16 mm²) / 0,10 mm (25 – 300 mm²)
- soft annealed, uncoated
- with special stranding

Insulation

- Silicone, free of halogen
- Operating voltage 1,8/3 kV
- Operating temperature -50° C up to +180° C
- Self-extinguishing
- Nature colour

Contact areas

- Copper ETP-tube, tinned

Part-No.	cross-section mm ²	current load	dimensions mm							L
			A	A1	B	D	E	S		
16640 16641	10	50 A - 98 A	15	45	15	5,5 6,5	7,5	4,2	According to clients wishes	
16642 16643	16	70 A - 132 A	15	45	15	5,5 6,5	7,5	4,2		
16644 16645	25	96 A - 176 A	20	50	20	6,5 9	10	4,2		
16647 16648	35	115 A - 218 A	25	60	25	9 11	12,5	4,8		
16650 16651	50	145 A - 276 A	25	60	25	9 11	12,5	4,6		
16653 16654	70	175 A - 347 A	25	65	25	9 11	12,5	5,9		
16656 16657	95	215 A - 416 A	30	70	30	11 14	15	5,7		
16659 16660	120	245 A - 488 A	30	70	30	11 14	15	8		
16662	150	285 A – 566 A	35	80	35	14	17,5	8,4		
16665	185	320 A – 644 A	35	80	35	14	17,5	9,1		
16668 16669	240	380 A - 775 A	40	95	40	14 17	20	10,6		
16671 16672	300	435 A - 898 A	40	95	40	14 17	20	12,7		

Remark

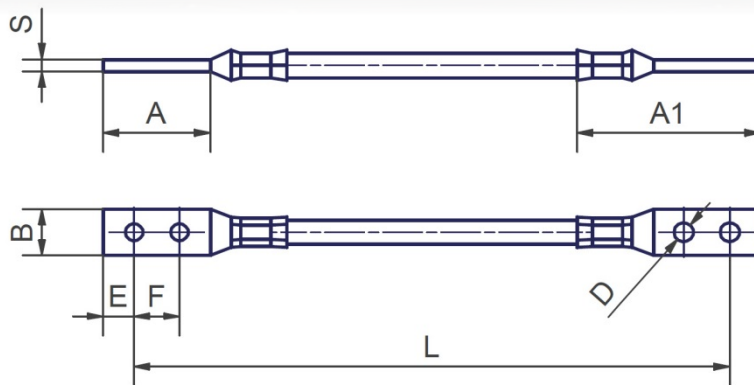
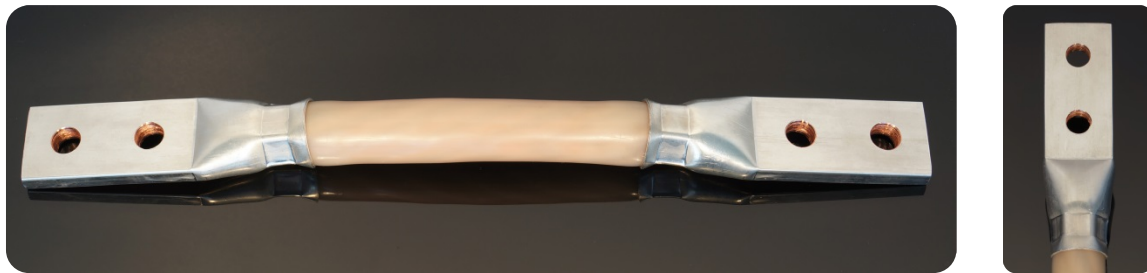
All informations about current-load are approximate values in consideration of the cable heat for single laying of air cooled cables and ambient temperature +30° C. The lower first value considered a temperature at the conductor of ca. +45° C and the second higher value of +90°C. It corresponds with VDE 0298 part 4 table 15. By changing the ambient temperature or the kind of laying reducing factors are to be considered. The dimensions of the standard contact areas guarantee a screwing with

clamping disks acc. to DIN 6796. Changes in width, length, design, coating or drilling are possible on request.

The used silicone cable is UL-approved and fulfills up to a cross section of 240 mm² fire tests acc. to DIN EN 60332-1-2/60332-24/61034-2/50305 9.2 as well as DIN EN 45545-2 – hazard level HL2 for indoor and HL3 for outdoor use.

Highly flexible power connections

consisting out of extruded silicone cable
with solderless crimped contact areas



Technical data:

- Conductor**
- Highly flexible round stranded copper cable single wire- \varnothing : 0,10 mm
 - soft annealed, uncoated
 - with special stranding
- Insulation**
- Silicone, free of halogen
 - Operating voltage 1,8/3 kV
 - Operating temperature -50° C up to +180° C
 - Self-extinguishing
 - Nature colour
- Contact areas**
- Copper ETP-tube, tinned

Part-No.	cross-section mm ²	current load	dimensions mm							
			A	A1	B	D	E	F	S	L
16600	70	175 A - 347 A	50	90	25	9	12,5	25	5,9	
16601			50	90		11	12,5	25		
16602			65	105		14	15	35		
16603	95	215 A - 416 A	60	100	30	11	15	30	5,7	
16604			60	100		14	15	30		
16605			80	125		17	20	40		
16606	120	245 A - 488 A	60	100	30	11	15	30	8	
16607			60	100		14	15	30		
16608			80	125		17	20	40		
16609	150	285 A - 566 A	60	105	35	14	15	30	8,4	
16610			80	130		17	20	40		
16612	185	320 A - 644 A	60	105	35	14	15	30	9,1	
16613			80	120		17	20	40		
16615	240	380 A - 775 A	80	135	40	14	20	40	10,6	
16616						17	20	40		
16618	300	435 A - 898 A	80	135	40	14	20	40	12,7	
16619						17	20	40		

According to clients wishes

Remark

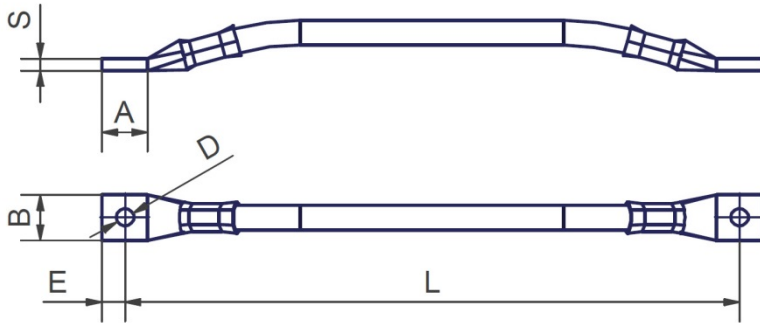
All informations about current-load are approximate values in consideration of the cable heat for single laying of air cooled cables and ambient temperature +30° C. The lower first value considered a temperature at the conductor of ca. +45° C and the second higher value of +90° C. It corresponds with VDE 0298 part 4 table 15. By changing the ambient temperature or the kind of laying reducing factors are to be considered. The dimensions of the standard contact areas guarantee a screwing with

clamping disks acc. to DIN 6796. Changes in width, length, design, coating or drilling are possible on request.

The used silicone cable is UL-approved and fulfills up to a cross section of 240 mm² fire tests acc. to DIN EN 60332-1-2/60332-24/61034-2/50305 9.2 as well as DIN EN 45545-2 – hazard level HL2 for indoor and HL3 for outdoor use.

Highly flexible power connections

consisting out of extruded silicone cable
with solderless crimped, cable lug shaped contact areas



Technical data:

Conductor

- Highly flexible round stranded copper cables single wire- ϕ :
0,07 mm (10 + 16 mm²) / 0,10 mm (25 – 300 mm²)
- soft annealed, uncoated
- with special stranding

Insulation

- Silicone, free of halogen
- Operating voltage 1,8/3 kV
- Operating temperature -50° C up to +180° C
- Self-extinguishing
- Nature colour

Contact areas

- Copper ETP-tube, tinned

Part-No.	cross-section mm ²	current load	dimensions mm					L
			A	B	D	E	S	
16740	10	50 A - 98 A	15	15	5,5	7,5	4,2	According to clients wishes
16741					6,5			
16742	16	70 A - 132 A	15	15	5,5	7,5	4,2	
16743					6,5			
16744	25	96 A - 176 A	20	20	6,5	10	4,2	
16745					9			
16747	35	115 A - 218 A	25	25	9	12,5	4,8	
16748					11			
16750	50	145 A - 276 A	25	25	9	12,5	4,6	
16751					11			
16753	70	175 A - 347 A	25	25	9	12,5	5,9	
16754					11			
16756	95	215 A - 416 A	30	30	11	15	5,7	
16757					14			
16759	120	245 A - 488 A	30	30	11	15	8	
16760					14			
16762	150	285 A - 566 A	35	35	14	17,5	8,4	
16765	185	320 A - 644 A	35	35	14	17,5	9,1	
16768	240	380 A - 775 A	40	40	14	20	10,6	
16769					17			
16771	300	435 A - 898 A	40	40	14	20	12,7	
16772					17			

Remark

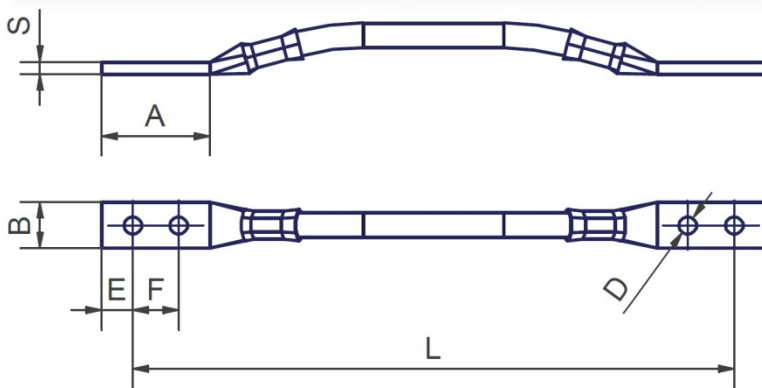
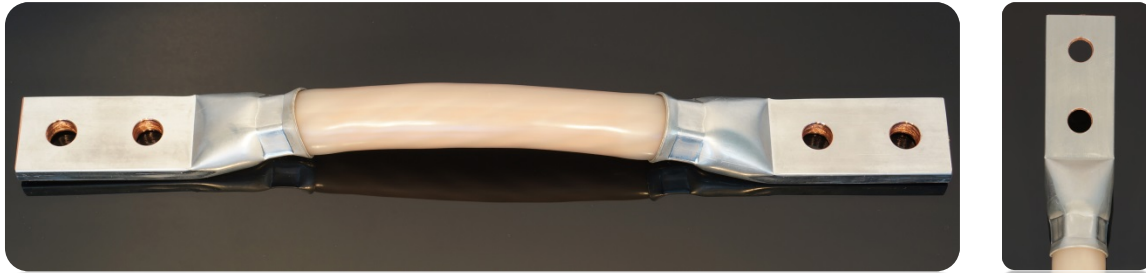
All informations about current-load are approximate values in consideration of the cable heat for single laying of air cooled cables and ambient temperature +30° C. The lower first value considered a temperature at the conductor of ca. +45° C and the second higher value of +90°C. It corresponds with VDE 0298 part 4 table 15. By changing the ambient temperature or the kind of laying reducing factors are to be considered. The dimensions of the standard contact areas guarantee a screwing with

clamping disks acc. to DIN 6796. Changes in width, length, design, coating or drilling are possible on request.

The used silicone cable is UL-approved and fulfills up to a cross section of 240 mm² fire tests acc. to DIN EN 60332-1-2/60332-24/61034-2/50305 9.2 as well as DIN EN 45545-2 – hazard level HL2 for indoor and HL3 for outdoor use.

Highly flexible power connections

consisting out of extruded silicone cable
with solderless crimped, cable lug shaped contact areas



Technical data:

- Conductor**
- Highly flexible round stranded copper cables
 - 0,10 mm
 - soft annealed, uncoated
 - with special stranding
- Insulation**
- Silicone, free of halogen
 - Operating voltage 1,8/3 kV
 - Operating temperature -50° C up to +180° C
 - Self-extinguishing
 - Nature colour
- Contact areas**
- Copper ETP-tube, tinned

Part-No.	cross-section mm ²	current- load	dimensions mm						L
			A	B	D	E	F	S	
16700	70	175 A - 347 A	50	25	9	12,5	25	5,9	
16701			50		11	12,5	25		
16702			65		14	15	35		
16703	95	215 A - 416 A	60	30	11	15	30	5,7	
16704			60		14	15	30		
16705			80		17	20	40		
16706	120	245 A - 488 A	60	30	11	15	30	8	
16707			60		14	15	30		
16708			80		17	20	40		
16709	150	285 A - 566 A	60	35	14	15	30	8,4	
16710			80		17	20	40		
16712	185	320 A - 644 A	80	35	14	20	40	9,1	
16713			80		17	40	10,6		
16715	240	380 A - 775 A	80	40	14	20	40	10,6	
16716			80		17	40	12,7		
16718	300	435 A - 898 A	80	40	14	20	40	12,7	
16719			80		17	40	12,7		

According to clients wishes

Remark

All informations about current-load are approximate values in consideration of the cable heat for single laying of air cooled cables and ambient temperature +30° C. The lower first value considered a temperature at the conductor of ca. +45° C and the second higher value of +90° C. It corresponds with VDE 0298 part 4 table 15. By changing the ambient temperature or the kind of laying reducing factors are to be considered. The dimensions of the standard contact areas guarantee a screwing with

clamping disks acc. to DIN 6796. Changes in width, length, design, coating or drilling are possible on request.

The used silicone cable is UL-approved and fulfills up to a cross section of 240 mm² fire tests acc. to DIN EN 60332-1-2/60332-24/61034-2/50305 9.2 as well as DIN EN 45545-2 – hazard level HL2 for indoor and HL3 for outdoor use.