

Floor trunking systems

Under floor duct system	B04-B11
Cable duct system	B14-B17
Shuttering unit	B18-B19
Accessories	B20-B21

Numeric index

Floor trunking systems

S

SNA nail plug [B20](#)

U

UB Jointing bracket [B05](#)

UBDEL grounding lug [B20](#)

UBDHB 122R Hollow-space floor box, single, round [B10](#)

UBDHB Z grounding clamp [B20](#)

UBDHB190 1V Hollow space floor box single, quadrangular [B10](#)

UBDHB250 2R hollow space floor box double, round [B09](#)

UBDHB250 2V hollow space floor box double, quadrangular [B09](#)

UBDHB250 3V hollow space floor box triple, quadrangular [B08](#)

UBDHB350 2R hollow space floor box double, round [B08](#)

UBDHB350 3R hollow space floor box triple, round [B07](#)

UBDHB350 3V hollow space floor box triple, quadrangular [B07](#)

UBKM Bitumen glue [B20](#)

UBP VR Dummy cover assembly opening [B21](#)

UE end piece [B06](#)

UGKB protection strip [B20](#)

UK screed covered duct, 2 compartments [B04](#)

UKAZ extension accessories [B16](#)

UKBS channel partition - fire resistant [B11](#)

UKBSR EasyFoam foam plugs [B11](#)

UKD dummy cover for cable duct [B15](#)

UKDA 185V cable duct assembly cover, quadrangular [B16](#)

UKDA 260R cable duct assembly cover, round [B15](#)

UKDA 260V cable duct assembly cover, quadrangular [B15](#)

UKDA 308R cable duct assembly cover, round [B15](#)

UKEB end piece [B16](#)

UKL screed covered duct, 3 compartments [B04](#)

UKR 2 cable duct bottom piece 2 compartments [B14](#)

UKR 3 cable duct bottom piece 3 compartments [B14](#)

UKTR barrier strip [B17](#)

UM mounting sleeve [B06](#)

UN nail plug [B20](#)

USK shuttering unit quadrangular [B18](#)

USKH Heat-resistant formwork element, quadrangular [B19](#)

USKR Formwork element, round [B18](#)

USR shuttering tube [B18](#)

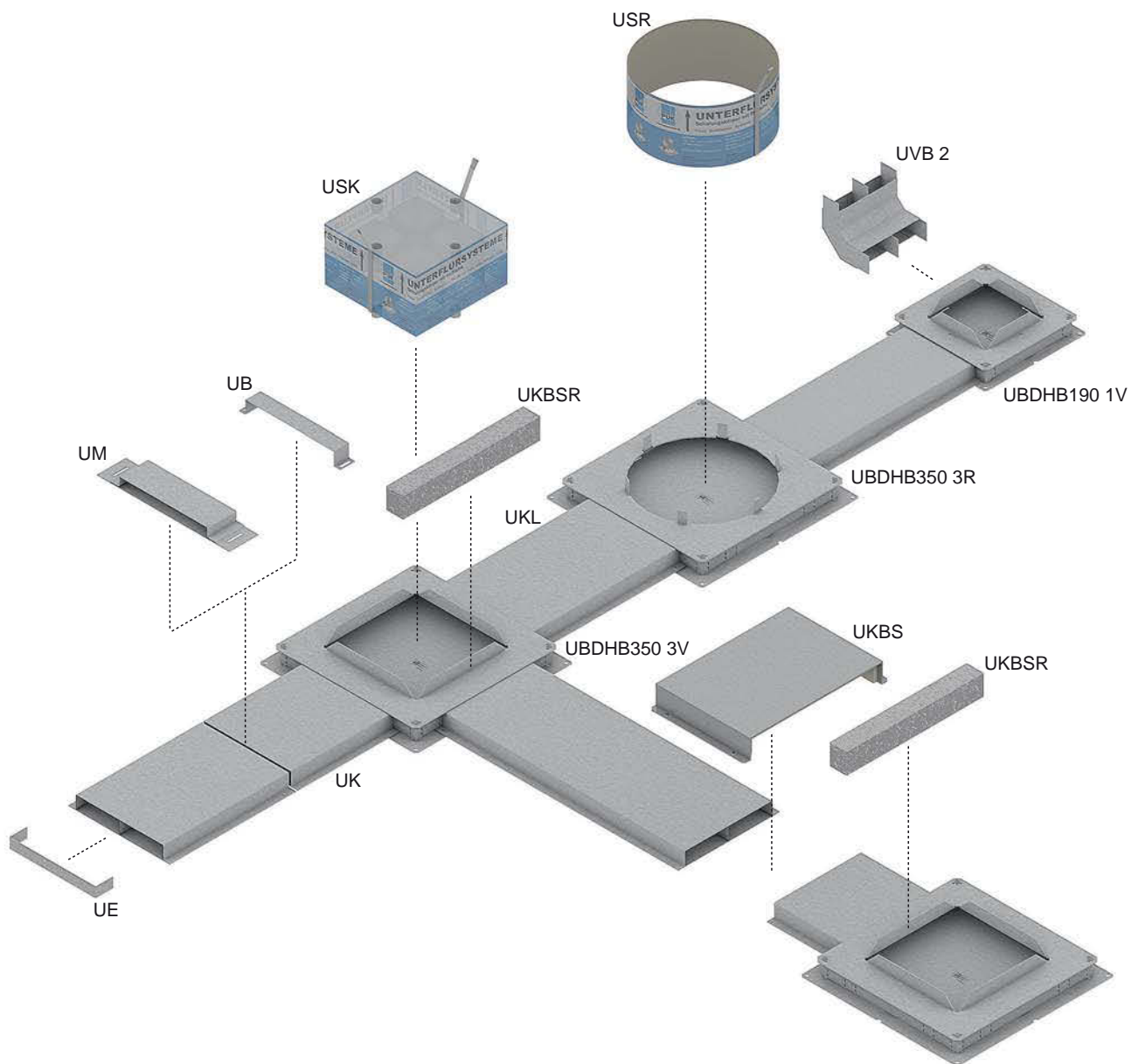
USRH Heat-resistant formwork pipe, round [B18](#)

UVB 2 vertical bend, 2 partitions [B05](#)

UVB 3 vertical bend, 3 partitions [B05](#)

System overview

Floor trunking systems



Floor trunking systems

Under floor duct system

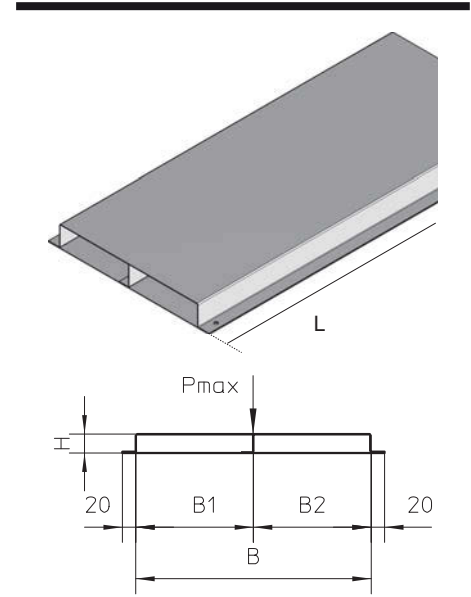
UK screed covered duct, 2 compartments

Screed-covered double-compartment duct, upper and lower part fixed together.

article number	H mm	B mm	B1 mm	B2 mm	L mm	P _{max} kN	G kg
S							
UK 2-28-190S	28	190	95	95	3000	0,75	15,50
UK 2-28-250S	28	250	125	125	3000	0,75	19,00
UK 2-28-350S	28	350	175	175	3000	0,75	24,70
UK 2-38-190S	38	190	95	95	3000	0,75	16,50
UK 2-38-250S	38	250	125	125	3000	0,75	19,80
UK 2-38-350S	38	350	175	175	3000	0,75	25,50
UK 2-48-190S	48	190	95	95	3000	0,75	17,30
UK 2-48-250S	48	250	125	125	3000	0,75	20,70
UK 2-48-350S	48	350	175	175	3000	0,75	26,80

accessories optional:

UB	Joining bracket	(page B05)
UGKB	protection strip	(page B20)
UN	nail plug	(page B20)



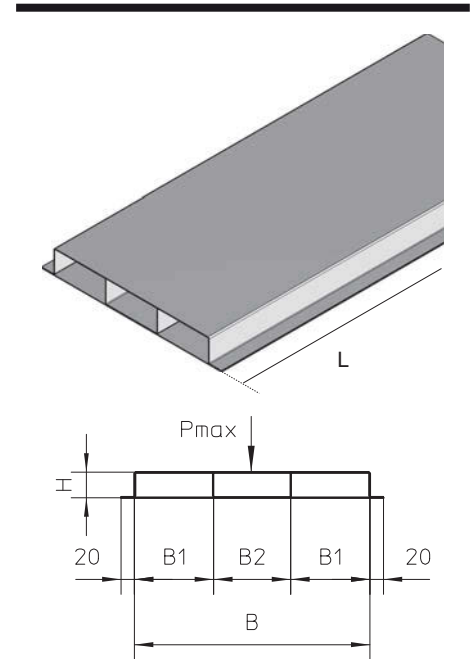
UKL screed covered duct, 3 compartments

Screed-covered triple-compartment duct, upper and lower part fixed together.

article number	H mm	B mm	B1 mm	B2 mm	L mm	P _{max} kN	G kg
S							
UKL 3-28-250S	28	250	82	84	3000	0,75	17,90
UKL 3-28-350S	28	350	116	116	3000	0,75	23,30
UKL 3-38-250S	38	250	82	84	3000	0,75	18,70
UKL 3-38-350S	38	350	116	116	3000	0,75	24,20
UKL 3-48-250S	48	250	82	84	3000	0,75	19,70
UKL 3-48-350S	48	350	116	116	3000	0,75	25,10

accessories optional:

UB	Joining bracket	(page B05)
UGKB	protection strip	(page B20)
UN	nail plug	(page B20)



Floor trunking systems

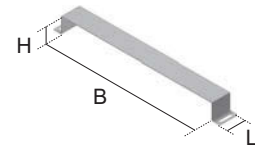
Under floor duct system

UB Jointing bracket

article number	H mm	B mm	L mm	G kg
S				
UB 28-190S	28	194	42	0,09
UB 28-250S	28	254	42	0,11
UB 28-350S	28	354	42	0,14
UB 38-190S	38	194	42	0,10
UB 38-250S	38	254	42	0,12
UB 38-350S	38	354	42	0,15
UB 48-190S	48	194	42	0,10
UB 48-250S	48	254	42	0,12
UB 48-350S	48	354	42	0,16

accessories optional:

UN nail plug (page B20)



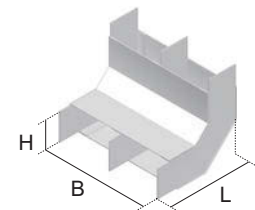
UVB 2 vertical bend, 2 partitions

article number	H mm	B mm	L mm	G kg
S				
UVB 2-28-190S	29	186	132	1,16
UVB 2-28-250S	29	246	132	1,39
UVB 2-28-350S	29	346	132	1,95
UVB 2-38-190S	39	186	132	1,31
UVB 2-38-250S	39	246	132	1,50
UVB 2-38-350S	39	346	132	2,05
UVB 2-48-190S	49	186	132	1,46
UVB 2-48-250S	49	246	132	1,75
UVB 2-48-350S	49	346	132	2,20

accessories optional:

UB Jointing bracket (page B05)

UN nail plug (page B20)



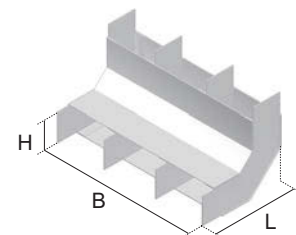
UVB 3 vertical bend, 3 partitions

article number	H mm	B mm	L mm	G kg
S				
UVB 3-28-250S	29	246	132	1,55
UVB 3-28-350S	29	346	132	2,20
UVB 3-38-250S	39	246	132	1,70
UVB 3-38-350S	39	346	132	2,40
UVB 3-48-250S	49	246	132	1,95
UVB 3-48-350S	49	346	132	2,60

accessories optional:

UB Jointing bracket (page B05)

UN nail plug (page B20)



B

floor trunking systems

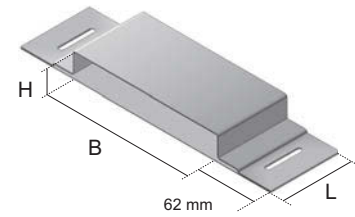
Under floor duct system

UM mounting sleeve

article number	H mm	B mm	L mm	G kg
S				
UM 28-190S	28	194	82	0,55
UM 28-250S	28	254	82	0,64
UM 28-350S	28	354	82	0,80
UM 38-190S	38	194	82	0,56
UM 38-250S	38	254	82	0,66
UM 38-350S	38	354	82	0,82
UM 48-190S	48	194	82	0,58
UM 48-250S	48	254	82	0,68
UM 48-350S	48	354	82	0,84

accessories optional:

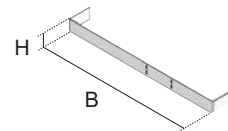
UN nail plug (page B20)



UE end piece

Suitable for B = 190, 250 and 350 mm.

article number	H mm	B mm	G kg
S			
UE 28-350S	26	347	0,14
UE 38-350S	36	347	0,17
UE 48-350S	46	347	0,20



Floor trunking systems

Under floor duct system | Hollow space floor box

UBDHB350 3V hollow space floor box triple, quadrangular

Hollow space floor box with an installation opening of 261x261 mm for quadrangular installation units.
For assembly instructions, see the chapter assembly.

article number	H mm	H _{min} mm	B1 mm	B2 mm	L1 mm	L2 mm	E mm	G kg
S								
UBDHB350 28-259V	31	67	410	450	410	450	262 x 262	3,90
UBDHB350 38-259V	41	77	410	450	410	450	262 x 262	4,00
UBDHB350 48-259V	51	87	410	450	410	450	262 x 262	4,10

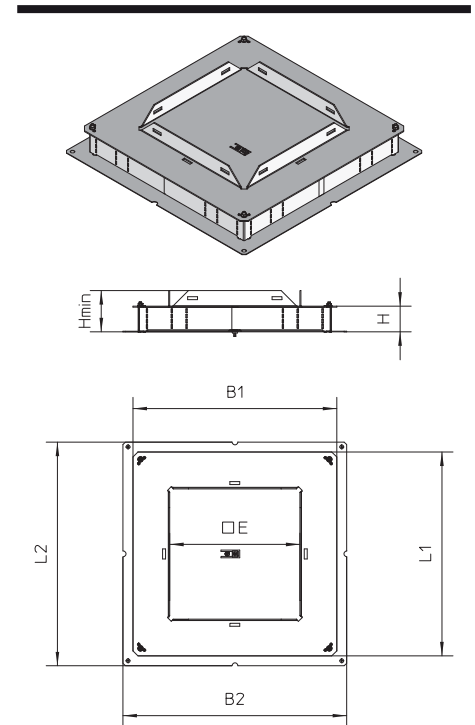
accessories included:

1 x **UBDHB-Z** grounding clamp (page B20)

accessories optional:

USK shuttering unit quadrangular (page B18)

UN nail plug (page B20)



UBDHB350 3R hollow space floor box triple, round

Hollow space floor box with an installation opening of 307 mm for round installation units.
For assembly instructions, see the chapter assembly.

article number	H mm	H _{min} mm	B1 mm	B2 mm	L1 mm	L2 mm	E mm	G kg
S								
UBDHB350 28-308R	31	67	410	450	410	450	310	3,40
UBDHB350 38-308R	41	77	410	450	410	450	310	3,50
UBDHB350 48-308R	51	87	410	450	410	450	310	3,60

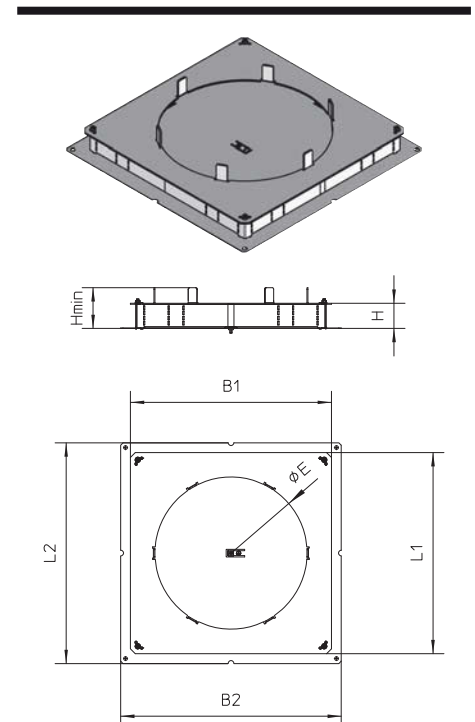
accessories included:

1 x **UBDHB-Z** grounding clamp (page B20)

accessories optional:

USR shuttering tube (page B18)

UN nail plug (page B20)



Floor trunking systems

Under floor duct system | Hollow space floor box

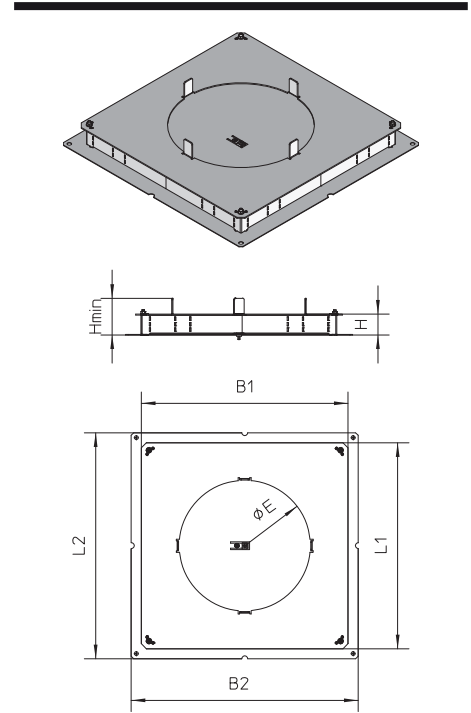
UBDHB350 2R hollow space floor box double, round

Hollow space floor box with an installation opening of 260 mm for round installation units.
For assembly instructions, see the chapter assembly.

article number	H mm	H _{min} mm	B1 mm	B2 mm	L1 mm	L2 mm	E mm	G kg
S								
UBDHB350 28-259R	31	63	410	450	410	450	260	3,80
UBDHB350 38-259R	41	73	410	450	410	450	260	3,90
UBDHB350 48-259R	51	83	410	450	410	450	260	4,00

accessories included:
1 x **UBDHB-Z** grounding clamp (page B20)

accessories optional:
USR shuttering tube (page B18)
UN nail plug (page B20)



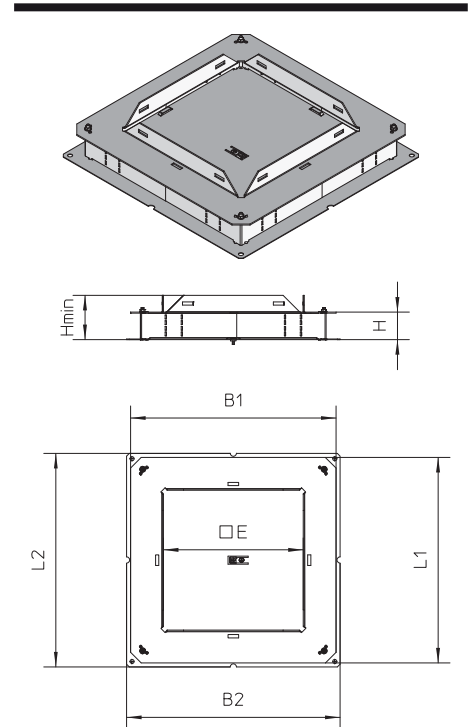
UBDHB250 3V hollow space floor box triple, quadrangular

Hollow space floor box with an installation opening of 261x261 mm for quadrangular installation units.
For assembly instructions, see the chapter assembly.

article number	H mm	H _{min} mm	B1 mm	B2 mm	L1 mm	L2 mm	E mm	G kg
S								
UBDHB250 28-259V	31	67	385	400	385	400	262 x 262	3,30
UBDHB250 38-259V	41	77	385	400	385	400	262 x 262	3,40
UBDHB250 48-259V	51	87	385	400	385	400	262 x 262	3,50

accessories included:
1 x **UBDHB-Z** grounding clamp (page B20)

accessories optional:
USK shuttering unit quadrangular (page B18)
UN nail plug (page B20)



Floor trunking systems

Under floor duct system | Hollow space floor box

UBDHB250 2R hollow space floor box double, round

Hollow space floor box with an installation opening of 260 mm for round installation units.
For assembly instructions, see the chapter assembly.

article number	H mm	H _{min} mm	B1 mm	B2 mm	L1 mm	L2 mm	E mm	G kg
S								
UBDHB250 28-259R	31	67	385	400	385	400	260	3,10
UBDHB250 38-259R	41	77	385	400	385	400	260	3,20
UBDHB250 48-259R	51	87	385	400	385	400	260	3,30

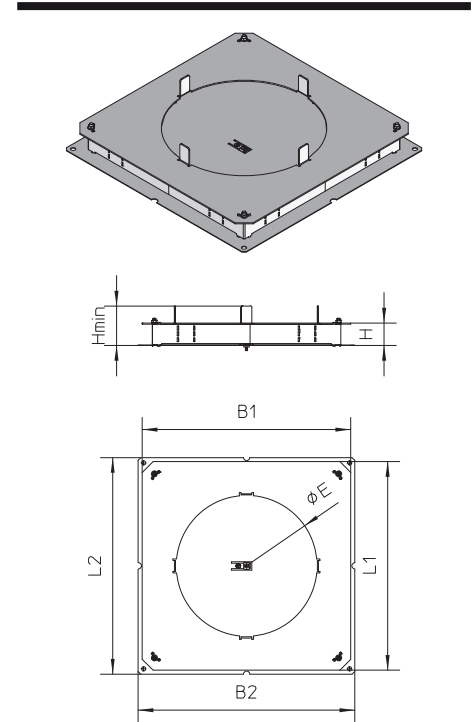
accessories included:

1 x **UBDHB-Z** grounding clamp (page B20)

accessories optional:

USR shuttering tube (page B18)

UN nail plug (page B20)



UBDHB250 2V hollow space floor box double, quadrangular

Hollow space floor box with an installation opening of 186x261mm for quadrangular installation units.
For assembly instructions, see the chapter assembly.

article number	H mm	H _{min} mm	B1 mm	B2 mm	L1 mm	L2 mm	E mm	G kg
S								
UBDHB250 28-185V	31	67	385	400	385	400	187 x 262	3,50
UBDHB250 38-185V	41	77	385	400	385	400	187 x 262	3,60
UBDHB250 48-185V	51	87	385	400	385	400	187 x 262	3,70

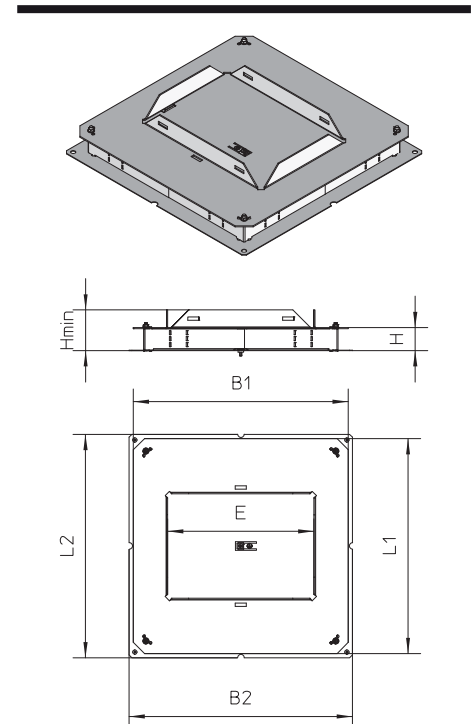
accessories included:

1 x **UBDHB-Z** grounding clamp (page B20)

accessories optional:

USK shuttering unit quadrangular (page B18)

UN nail plug (page B20)



Floor trunking systems

Under floor duct system | Hollow space floor box

UBDHB190 1V Hollow space floor box single, quadrangular

Hollow space floor box with an installation opening of 164x164mm for quadrangular single outlets.
For assembly instructions, see the chapter assembly.

article number	H mm	H _{min} mm	B1 mm	B2 mm	L1 mm	L2 mm	E mm	G kg
S								
UBDHB190 28-160V	31	67	270	290	270	290	165	1,20
UBDHB190 38-160V	41	77	270	290	270	290	165	1,90
UBDHB190 48-160V	51	87	270	290	270	290	165	2,00

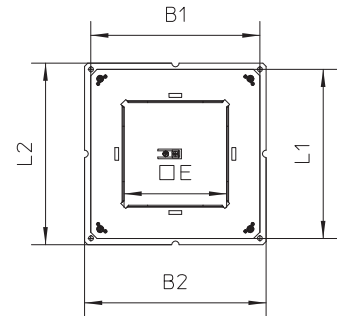
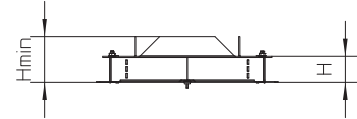
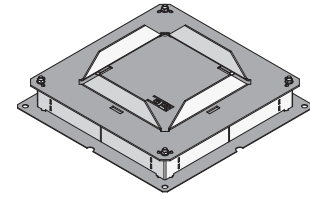
accessories included:

1 x **UBDHB-Z** grounding clamp (page B20)

accessories optional:

UN nail plug (page B20)

USK shuttering unit quadrangular (page B18)



UBDHB 122R Hollow-space floor box, single, round

Hollow space floor box with an installation opening of 122mm for round single outlets.
For assembly instructions, see the chapter assembly.

article number	H mm	H _{min} mm	B1 mm	B2 mm	L1 mm	L2 mm	E mm	G kg
S								
UBDHB 38-122R	42	73	150	160	150	160	123	0,64

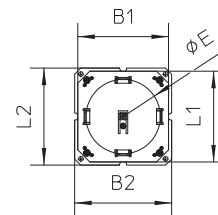
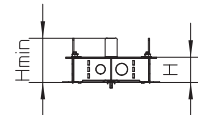
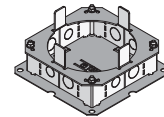
accessories included:

1 x **UBDHB-Z** grounding clamp (page B20)

accessories optional:

USKR Formwork element, round (page B18)

UN nail plug (page B20)



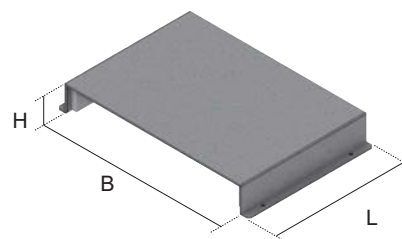
Floor trunking systems

Under floor duct system | Fire protection

UKBS channel partition - fire resistant

To be used in fire protection wall WD90.
For assembly instructions, see the chapter assembly.

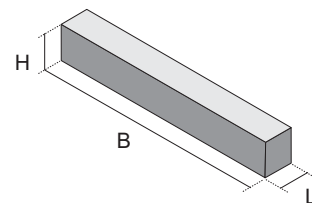
article number	H mm	B mm	L mm	G kg
S				
UKBS 28-350S	28	350	270	2,50
UKBS 38-350S	38	350	270	2,75
UKBS 48-350S	48	350	270	3,00



UKBSR EasyFoam foam plugs

For smoke-proof insulation of a hollow space floor box.
For assembly instructions, see the chapter assembly.

article number	H mm	B mm	L mm	G kg
PC				
UKBSR 28-350S	30	390	60	0,02
UKBSR 38-350S	40	390	60	0,02
UKBSR 48-350S	50	390	60	0,02

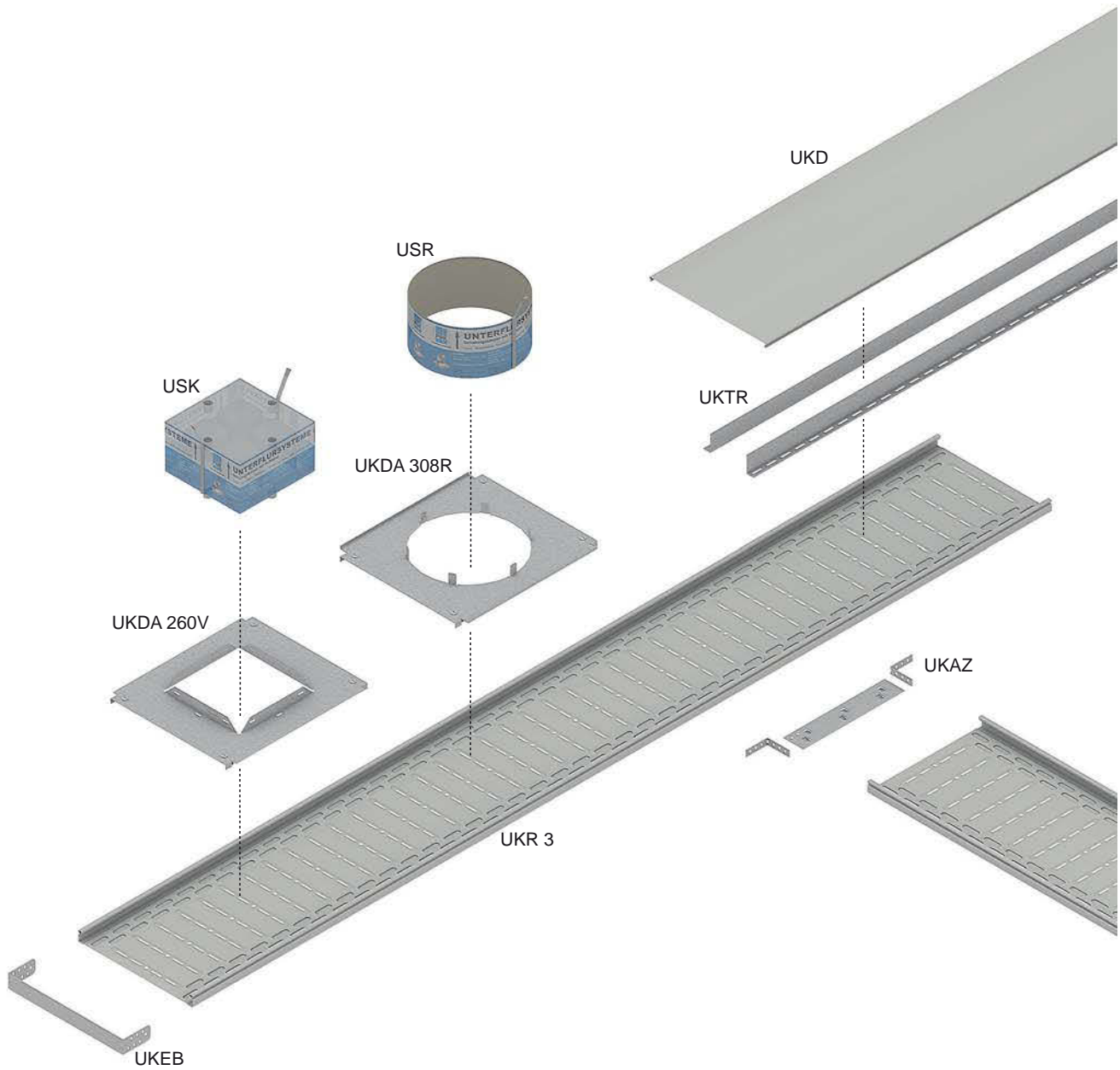


B



System overview

Floor trunking systems



Floor trunking systems

Cable duct system

UKR 2 cable duct bottom piece 2 compartments

The screed-covered cable duct includes the following components: 1x lower part of cable duct UKR, 1x cable duct dummy lid UKD and 1x separating strip UKTR with corresponding installation and connection materials.
For assembly instructions, see the chapter assembly.

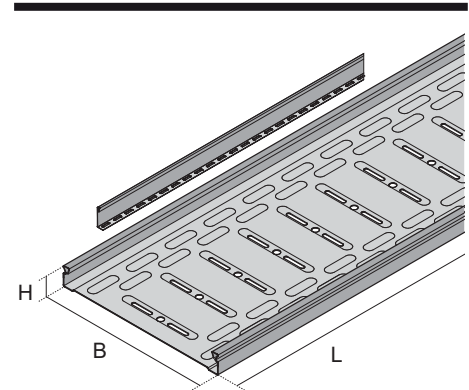
article number	H mm	B mm	L mm	G kg
S				
UKR 35-30S	35	300	3000	8,90

accessories included:

1 x **UKTR 35S** barrier strip (page B17)
3 x **SNA 6x30/5** nail plug (page B20)

accessories optional:

VB connection plate (catalogue Cable trays)



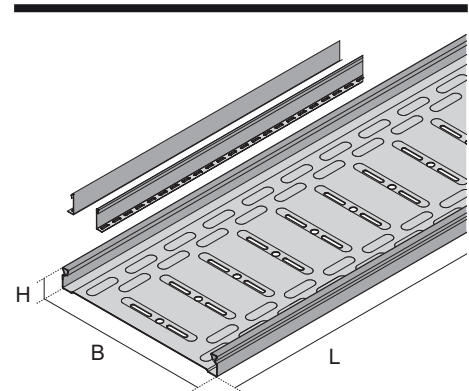
UKR 3 cable duct bottom piece 3 compartments

The screed-covered cable duct includes the following components: 1x lower part of cable duct UKR, 1x cable duct dummy lid UKD and 2x separating strip UKTR with corresponding installation and connection materials.
For assembly instructions, see the chapter assembly.

article number	H mm	B mm	L mm	G kg
S				
UKR 35-40S	35	400	3000	14,20
UKR 35-50S	35	500	3000	15,40

accessories included:

2 x **UKTR 35S** barrier strip (page B17)
6 x **SNA 6x30/5** nail plug (page B20)



article number	H mm	B mm	L mm	G kg
S				
UKR 60-40S	60	400	3000	19,80
UKR 60-50S	60	500	3000	23,90

accessories included:

2 x **UKTR 60S** barrier strip (page B17)
6 x **SNA 6x30/5** nail plug (page B20)

article number	H mm	B mm	L mm	G kg
S				
UKR 85-40S	85	400	3000	23,40
UKR 85-50S	85	500	3000	27,50

accessories included:

2 x **UKTR 85S** barrier strip (page B17)
6 x **SNA 6x30/5** nail plug (page B20)

article number	H mm	B mm	L mm	G kg
S				
UKR 110-40S	110	400	3000	28,70
UKR 110-50S	110	500	3000	31,00

accessories included:

2 x **UKTR 110S** barrier strip (page B17)
6 x **SNA 6x30/5** nail plug (page B20)

accessories optional:

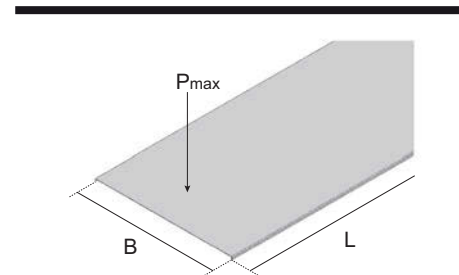
VB connection plate (catalogue Cable trays)

Floor trunking systems

Cable duct system

UKD dummy cover for cable duct

article number	B mm	L mm	P _{max} kN	G kg
S				
UKD 30S	300	3000	0,75	7,90
UKD 40S	400	3000	0,75	10,20
UKD 50S	500	3000	0,75	19,00

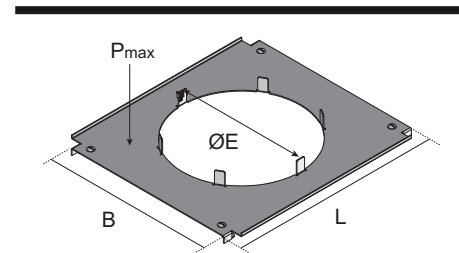


UKDA 308R cable duct assembly cover, round

article number	B mm	L mm	E mm	P _{max} kN	G kg
S					
UKDA-308R 40S	400	495	310	0,75	2,30
UKDA-308R 50S	500	595	310	0,75	3,90

accessories included:
1 x **UBDHB-Z** grounding clamp (page B20)

accessories optional:
USR shuttering tube (page B18)
UBDEL grounding lug (page B20)

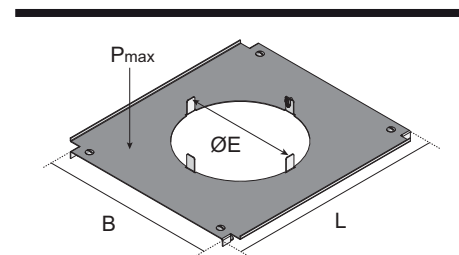


UKDA 260R cable duct assembly cover, round

article number	B mm	L mm	E mm	P _{max} kN	G kg
S					
UKDA-260R 30S	300	420	260	0,75	1,23
UKDA-260R 40S	400	495	260	0,75	2,14
UKDA-260R 50S	500	595	260	0,75	4,47

accessories included:
1 x **UBDHB-Z** grounding clamp (page B20)

accessories optional:
USR shuttering tube (page B18)
UBDEL grounding lug (page B20)

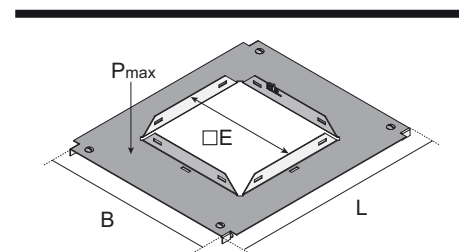


UKDA 260V cable duct assembly cover, quadrangular

article number	B mm	L mm	E mm	P _{max} kN	G kg
S					
UKDA-260V 40S	400	495	262 x 262	0,75	2,03
UKDA-260V 50S	500	595	262 x 262	0,75	3,29

accessories included:
1 x **UBDHB-Z** grounding clamp (page B20)

accessories optional:
USK shuttering unit quadrangular (page B18)
UBDEL grounding lug (page B20)



B

Floor trunking systems

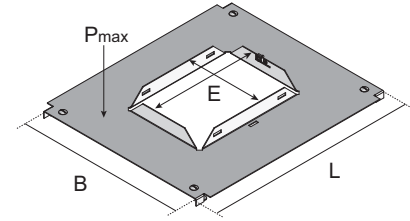
Cable duct system

UKDA 185V cable duct assembly cover, quadrangular

article number	B mm	L mm	E mm	P _{max} kN	G kg
S					
UKDA-185V 30S	300	420	187 x 262	0,75	1,39
UKDA-185V 40S	400	495	187 x 262	0,75	2,26

accessories included:
1 x **UBDHB-Z** grounding clamp (page B20)

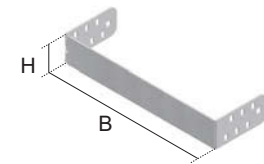
accessories optional:
USK shuttering unit quadrangular (page B18)
UBDEL grounding lug (page B20)



UKEB end piece

article number	H mm	B mm	G kg
S			
UKEB 35-30S	20	300	0,13
UKEB 35-40S	20	400	0,16
UKEB 35-50S	20	500	0,19
UKEB 60-40S	45	400	0,31
UKEB 60-50S	45	500	0,36

accessories included:
1 x **KLR** clamping assembly (catalogue Cable trays)



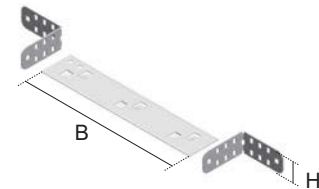
article number	H mm	B mm	G kg
S			
UKEB 85-40S	70	400	0,64
UKEB 85-50S	70	500	0,75
UKEB 110-40S	95	400	0,93
UKEB 110-50S	95	500	1,10

accessories included:
2 x **KLR** clamping assembly (catalogue Cable trays)

UKAZ extension accessories

article number	H mm	B mm	G kg
S			
UKAZ 35-30S	20	300	0,40
UKAZ 35-40S	20	400	0,50
UKAZ 35-50S	20	500	0,60
UKAZ 60-40S	45	400	1,20
UKAZ 60-50S	45	500	1,30
UKAZ 85-40S	70	400	1,40
UKAZ 85-50S	70	500	1,60
UKAZ 110-40S	95	400	1,70
UKAZ 110-50S	95	500	1,80

accessories optional:
SNA nail plug (page B20)



Floor trunking systems

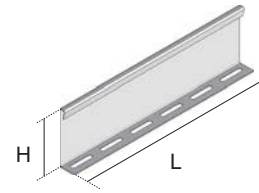
Cable duct system

UKTR barrier strip

article number	H mm	L mm	G kg
S			
UKTR 35S	33	3000	1,60
UKTR 60S	57	3000	2,10
UKTR 85S	80	3000	2,80
UKTR 110S	107	3000	4,80

accessories optional:

SNA nail plug (page B20)



Floor trunking systems

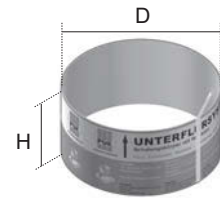
Shuttering unit

USR shuttering tube

Cardboard shuttering tube for the construction of an installation opening for round installation units. To be used in a hollow space floor box.

Caution: insulating strip of max. thickness of 2 mm!

article number	H mm	D mm	G kg
KT			
USR 308-150	150	308	0,42
USR 308-225	225	308	0,60
USR 259-150	150	260	0,30



USKR Formwork element, round

Shuttering unit, made of polystyrene, for generating an installation opening for round installation units. To be used in a hollow space floor box.

Caution: insulating strip of max. thickness of 2 mm!

article number	H mm	D mm	G kg
STY			
USK 120R-150	150	122	0,06
USK 120R-82	82	122	0,03

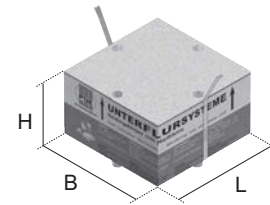


USK shuttering unit quadrangular

Polystyrene shuttering unit for the construction of an installation opening for quadrangular installation units. To be used in a hollow space floor box.

Caution: insulating strip of max. thickness of 2 mm!

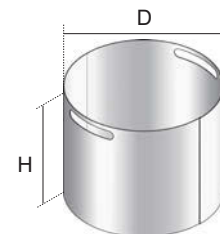
article number	H mm	B mm	L mm	E mm	G kg
STY					
USK 259V-225	225	262	262	262x262	0,24
USK 259V-150	150	262	262	262x262	0,19
USK 185V-150	150	262	186	187x262	0,16
USK 160V-150	150	163	163	165x165	0,08



USRH Heat-resistant formwork pipe, round

Sheet steel shuttering tube for the construction of an installation opening in connection with hot asphalt for quadrangular installation units. To be used in a hollow space floor box.

article number	H mm	D mm	TL mm	G kg
S				
USRH 308-200	250	308	< 2	1,90



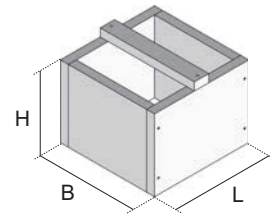
Floor trunking systems

Shuttering unit

USKH Heat-resistant formwork element, quadrangular

Wooden shuttering unit for the construction of an installation opening in connection with hot asphalt for quadrangular installation units. To be used in a hollow space floor box.

article number	H mm	B mm	L mm	TL mm	G kg
H					
USKH 259V-200	200	261	261	< 2	2,90



Floor trunking systems

Accessories

UN nail plug

article number	G	kg
Z		
UN 5/38		< 0.01



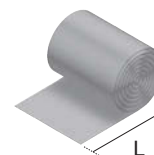
SNA nail plug

article number	G	kg
Z		
SNA 6x30/5		0,02



UGKB protection strip

article number	B	L	G
	mm	mm	kg
PET			
UGKB	50	50000	0,40



UBKM Bitumen glue

article number	G	kg
UBKM		0,50



UBDEL grounding lug

article number	G	kg
S		
UBDEL		< 0.01



UBDHB Z grounding clamp

article number	G	kg
S		
UBDHB-Z		<0.01

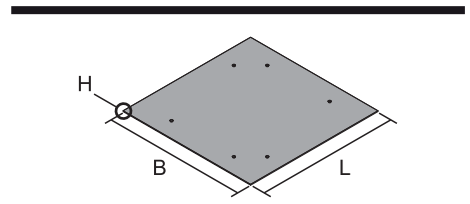


Floor trunking systems

Accessories

UBP VR Dummy cover assembly opening

article number	H mm	B mm	L mm	P _{max} kN	G kg
S					
UBP-VR 2S	2	330	330	0,75	1,71



B