



# Installation units for screed and hollow floors

Plastic brush assembly units [C04-C08](#)

---

Installation unit made of plastic [C10-C17](#)

---

Cartridge installation unit, quadrangular [C20-C22](#)

---

installation unit made of high-grade steel [C24-C41](#)

---

Single outlet BODO, round [C44-C48](#)

---

Single outlet, quadrangular [C50-C53](#)

---

Compact single outlet [C56-C59](#)

---

# Numeric index

## Installation units for screed and hollow floors

### B

**BODO N** Single outlet with floor box and data module, wet-maintenance, round [C44](#)  
**BODO N3** Single-outlet with floor socket outlet, wet maintenance, round [C44](#)  
**BODO NL** Single-outlet, wet maintenance, round, empty [C45](#)  
**BODO T** Single-outlet with floor socket outlet, dry maintenance, round [C46](#)  
**BODO TL** Single-outlet, dry maintenance, round, empty [C46](#)

### U

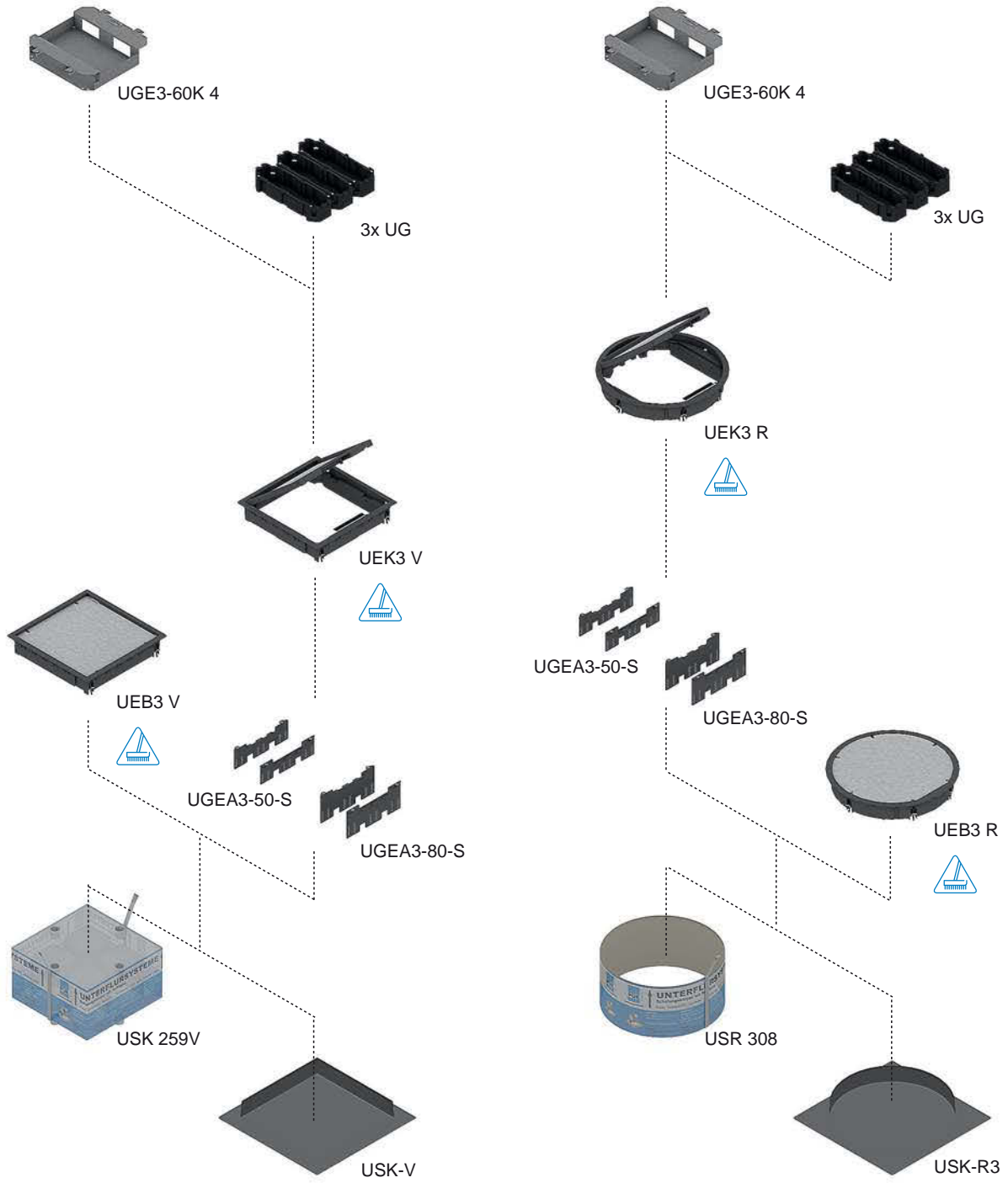
**UBDSL** levelling support [C41](#)  
**UBP V** Dummy cover, triple, angular [C30](#)  
**UDBS 40-80** claw for plastic dummy cover [C17](#)  
**UDBS R 4** hollow space floor claw for Dummy cover [C16](#)  
**UDBS R 6** hollow space floor claw for Dummy cover, round [C16](#)  
**UDBS V 4** hollow space floor claw for Dummy cover, quadrangular [C16](#)  
**UDKS 40-80** claw for plastic hinged cover [C17](#)  
**UDKS R 4** hollow space floor claws for hinged cover, round [C15](#)  
**UDKS R 6** hollow space floor claws for hinged cover, round [C16](#)  
**UDKS V 4** hollow space floor claws for hinged cover, quadrangular [C16](#)  
**UDKS3** Claw for plastic installation devices [C06](#)  
**UDKSEB** claw, screed flush [C17](#)  
**UEB R** cover inlay, dummy cover, round [C06](#)  
**UEB V** cover inlay, dummy cover, quadrangular [C06](#)  
**UEB3 R** installation unit - dummy cover triple, round [C04](#)  
**UEB3 V** installation unit - dummy cover triple, quadrangular [C05](#)  
**UEBD R** cover inlay, dummy cover, round [C14](#)  
**UEBD R E** Triple dummy cartridge unit, round, levellable [C24](#)  
**UEBD RP E** Dummy cartridge unit, tripple, plan, round [C25](#)  
**UEBD V** cover inlay, dummy cover, quadrangular [C14](#)  
**UEBD V E** triple dummy cartridge unit, quadrangular [C31](#)  
**UEBD VP E** Dummy cartridge unit, tripple, plan, quadrangular [C32](#)  
**UEBD1 G45** Body single outlet [C53](#)  
**UEBD1-1 V E** Dummy single-outlet cartridge, quadrangular, levellable [C50](#)  
**UEBD1-2 V E** Dummy single-outlet cartridge, quadrangular, levellable [C51](#)  
**UEBD2 R** installation unit - dummy cover double, round [C10](#)  
**UEBD2 V** installation unit - dummy cover - double, quadrangular [C12](#)  
**UEBD2 V E** dummy cartridge unit double, quadrangular, levellable [C30](#)  
**UEBD3 R** installation unit - dummy cover triple, round [C10](#)  
**UEBD3 V** installation unit - dummy cover triple, quadrangular [C12](#)  
**UEBD V E** Dummy cartridge installation unit, triple, quadrangular [C21](#)  
**UEBDD1-2 V E** cartridge installation unit - dummy cover, single [C20](#)  
**UEBDD2 V E** cartridge installation unit dummy cover double, quadrangular [C20](#)  
**UEBDE R** cover insert, high-grade steel dummy cartridge, triple [C37](#)  
**UEBDE V** cover insert, high-grade steel dummy cartridge, triple [C37](#)  
**UEBDM R** Tube cartridge unit, triple, round, levellable [C27](#)  
**UEBDM RP WD** Tube cartridge unit, tripple, plan, round [C28](#)  
**UEBDM V** tube-cartridge unit triple, quadrangular [C34](#)  
**UEBDM VP WD** Tube cartridge unit, tripple, plan, quadrangular [C35](#)  
**UEBDME R** cover insert, tube outlet cartridge made of high-grade steel, triple [C37](#)

**UEBDME V** cover insert, tube outlet cartridge made of high-grade steel, triple [C38](#)  
**UEBDS R E** heavy-duty dummy cartridge unit, triple, round, levellable [C24](#)  
**UEBDS V E** heavy-duty dummy cartridge unit, triple, quadrangular [C31](#)  
**UEBDSM R** heavy-duty tube-cartridge unit triple, round, levellable [C27](#)  
**UEBDSM V** heavy-duty tube-cartridge unit triple, quadrangular [C35](#)  
**UEBDSM1-2 V** heavy-duty tube single outlet cartridge, quadrangular, levellable [C52](#)  
**UEK R** cover inlay, hinged cover, round [C06](#)  
**UEK V** cover inlay, hinged cover, quadrangular [C06](#)  
**UEK3 R** installation unit - hinged cover triple, round [C04](#)  
**UEK3 ST** hinge pin [C07](#)  
**UEK3 V** installation unit - hinged cover triple, quadrangular [C05](#)  
**UEK3-BK** Brush cable outlet [C07](#)  
**UEKA3** cable connection flap [C07](#)  
**UEKD R** cover inlay, hinged cover, round [C14](#)  
**UEKD R E** cartridge cover, triple, round, levellable [C25](#)  
**UEKD RP E** Cable-outlet cartridge unit, tripple, plan, round [C26](#)  
**UEKD V** cover inlay, hinged cover, quadrangular [C14](#)  
**UEKD V E** cartridge unit - hinged cover triple, quadrangular [C33](#)  
**UEKD VP E** Cable outlet cartridge unit tripple, plan, quadrangular [C34](#)  
**UEKD1-1 G45** Body single outlet [C53](#)  
**UEKD1-1 V E** Single-outlet cable cartridge, one-piece, quadrangular, levellable [C50](#)  
**UEKD1-2 V E** Single-outlet cable cartridge, quadrangular, levellable [C51](#)  
**UEKD2 R** installation unit - hinged cover double, round [C11](#)  
**UEKD2 V** installation unit - hinged cover double, quadrangular [C13](#)  
**UEKD2 V E** Cable outlet cartridge double, quadrangular, levellable [C32](#)  
**UEKD3 R** installation unit - hinged cover triple, round [C11](#)  
**UEKD3 V** installation unit - hinged cover triple, quadrangular [C13](#)  
**UEKDD V E** cartridge unit - hinged cover triple, quadrangular [C22](#)  
**UEKDD1-2 V E** cartridge unit - hinged cover single, quadrangular [C21](#)  
**UEKDD2 V E** cartridge unit - hinged cover double, quadrangular [C22](#)  
**UEKDE R** cover insert, high-grade steel cable outlet cartridge, triple [C37](#)  
**UEKDE V** cover insert, high-grade steel cable outlet cartridge, triple [C37](#)  
**UEKDS R E** heavy-duty cable outlet cartridge, triple, round, levellable [C26](#)  
**UEKDS V E** heavy-duty cable outlet cartridge, triple, quadrangular [C33](#)  
**UEKH3** opening lever [C07](#)  
**UEP125 B** Adapter board for sockets for compact single outlets, dummy [C58](#)  
**UEP125 KS** Adapter board for Keystone modules for compact single outlets [C58](#)  
**UEP125 UST** Adapter board for sockets for compact single outlets [C58](#)  
**UEP160 UST** Adapter board for sockets for compact single outlets [C58](#)  
**UEP160 UST-TR** Adapter board, data/multimedia [C58](#)  
**UET** tube for wet maintenance [C38](#)  
**UET112** tube for wet maintenance [C38](#)  
**UET80** tube for wet maintenance [C47](#)  
**UETD** tube cover [C38](#)  
**UETD112** tube cover [C39](#)  
**UETD80** tube cover [C47](#)  
**UGD 20** rubber strips [C40](#)  
**UGD R** rubber seal, round [C39](#)  
**UGD V** rubber seal, quadrangular [C40](#)  
**UGD1-1 V** rubber seal, quadrangular [C53](#)  
**UGD2 V** rubber seal, quadrangular [C40](#)  
**UGD3 V** rubber seal, quadrangular [C40](#)  
**UGDB15** rubber seal, round [C39](#)  
**UGE3 60** device insert [C07](#)  
**UGEA** retrofit kit for device cup [C15](#)  
**UGEA3** set of registering leads [C06](#)  
**UGEAR** set of registering leads, round [C28](#)  
**UGEAR ELS** grounding angle bracket [C41](#)

**UGEARL** registering extension, triple [C15](#)  
**UGEAV** set of registering leads, quadrangular [C36](#)  
**UGEAV1-2** set of registering leads, quadrangular [C52](#)  
**UGEAV2** set of registering leads, quadrangular [C36](#)  
**UGEE3 2** Louver [C08](#)  
**UGKD1-2 V 2** rubber seal, quadrangular [C53](#)  
**UGM** rubber sleeve [C48](#)  
**UGM SLF** Subsonic noise sleeve socket - levelling support [C41](#)  
**UGR1-4** Device cup, round, pre-assembled [C52](#)  
**UKE TR** Device separator [C58](#)  
**UKE125 V** Compact single outlet with cable outlet [C56](#)  
**UKE125 VP WD** Compact single outlet with tube outlet [C56](#)  
**UKE160 V** Compact single outlet with cable outlet [C57](#)  
**UKE160 VP WD** Compact single outlet with tube outlet [C57](#)  
**UKENP** Levelling board [C59](#)  
**UKS** Phillips screw [C41](#)  
**ULS R** sealing bag [C15](#)  
**UNE** levelling unit dummy, triple, quadrangular [C36](#)  
**UNE 305R** Dummy cover, triple, round [C29](#)  
**USH 40** siphon [C40](#)  
**USK R** shuttering round [C14](#)  
**USK R122** shuttering round [C48](#)  
**USK V** shuttering, quadrangular [C15](#)  
**UVA GB** grounding line [C39](#)  
**UVA GB1** grounding line [C39](#)  
**UWZ IS** Allen wrench [C47](#)

# System overview

Installation units for screed and hollow floors



# Installation units for screed and hollow floors

## Plastic brush assembly units

### UEB3 R installation unit - dummy cover triple, round

For assembly instructions, see the chapter assembly.

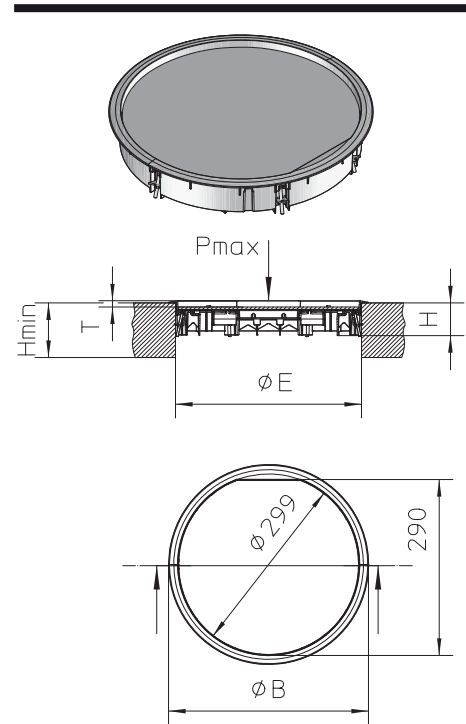
article number	H mm	H <sub>min</sub> mm	B mm	E mm	T mm	P <sub>max</sub> kN	colour	IP <sub>n</sub>	G kg
<b>PA</b>									
<b>UEB3-R-G</b>	58	63	330	307	10	2	RAL 7011 (iron grey)	IP 30	2,574
<b>UEB3-R-S</b>	58	63	330	307	10	2	RAL 9011 (graphite black)	IP 30	2,574

accessories included:

6 x **UDKS3-VR** Claw for plastic installation devices (page C06)

accessories optional:

**UEB R** cover inlay, dummy cover, round (page C06)



### UEK3 R installation unit - hinged cover triple, round

For assembly instructions, see the chapter assembly.

article number	H mm	H <sub>min</sub> mm	B mm	E mm	T mm	P <sub>max</sub> kN	colour	IP <sub>n</sub>	IP <sub>g</sub>	G kg
<b>PA</b>										
<b>UEK3-R-G</b>	58	63	330	307	10	2	RAL 7011 (iron grey)	IP 30	IP 20	1,935
<b>UEK3-R-S</b>	58	63	330	307	10	2	RAL 9011 (graphite black)	IP 30	IP 20	1,935

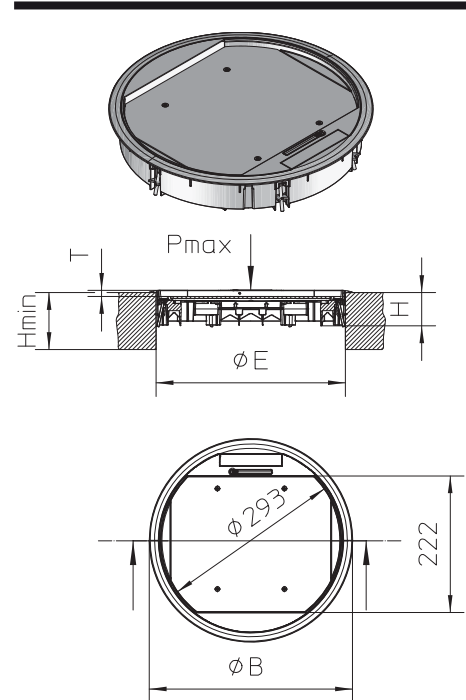
accessories included:

6 x **UDKS3-VR** Claw for plastic installation devices (page C06)

accessories optional:

**UEK R** cover inlay, hinged cover, round (page C06)

**UGEA3** set of registering leads (page C06)



# Installation units for screed and hollow floors

## Plastic brush assembly units

### UEB3 V installation unit - dummy cover triple, quadrangular

For assembly instructions, see the chapter assembly.

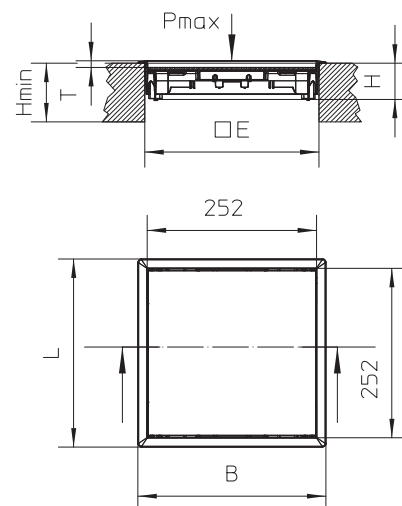
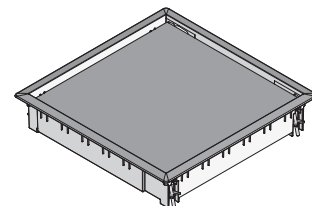
article number	H mm	H <sub>min</sub> mm	B mm	L mm	E mm	T mm	P <sub>max</sub> kN	colour	IP <sub>n</sub>	G kg
<b>PA</b>										
<b>UEB3-V-G</b>	58	63	280	280	260x260	10	2	RAL 7011 (iron grey)	IP 30	1,27
<b>UEB3-V-S</b>	58	63	280	280	260x260	10	2	RAL 9011 (graphite black)	IP 30	1,27

accessories included:

4 x **UDKS3-VR** Claw for plastic installation devices (page C06)

accessories optional:

**UEB V** cover inlay, dummy cover, quadrangular (page C06)



### UEK3 V installation unit - hinged cover triple, quadrangular

For assembly instructions, see the chapter assembly.

article number	H mm	H <sub>min</sub> mm	B mm	L mm	E mm	T mm	P <sub>max</sub> kN	colour	IP <sub>n</sub>	IP <sub>g</sub>	G kg
<b>PA</b>											
<b>UEK3-V-G</b>	58	63	280	280	260x260	10	2	RAL 7011 (iron grey)	IP 30	IP 20	1,80
<b>UEK3-V-S</b>	58	63	280	280	260x260	10	2	RAL 9011 (graphite black)	IP 30	IP 20	1,80

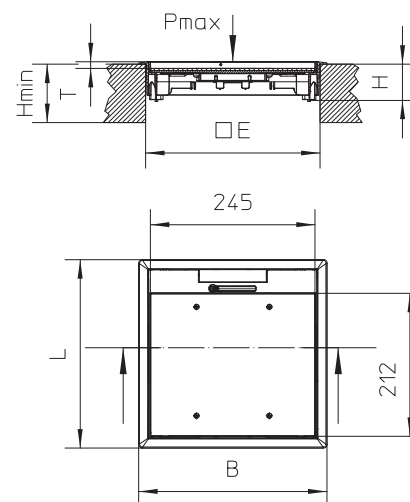
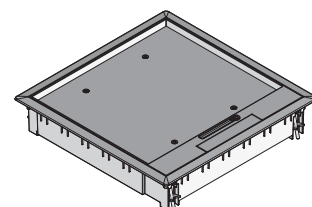
accessories included:

4 x **UDKS3-VR** Claw for plastic installation devices (page C06)

accessories optional:

**UEK V** cover inlay, hinged cover, quadrangular (page C06)

**UGEA3** set of registering leads (page C06)

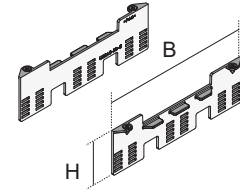


# Installation units for screed and hollow floors

## Plastic brush assembly units | Accessories

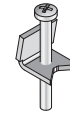
### UGE A3 set of registering leads

article number	H mm	B mm	colour	lock-in range mm	G kg
<b>PA</b>					
<b>UGE A3-50-S</b>	56	186	RAL 9011 (graphite black)	20-50	0,05
<b>UGE A3-80-S</b>	81	186	RAL 9011 (graphite black)	50-80	0,08



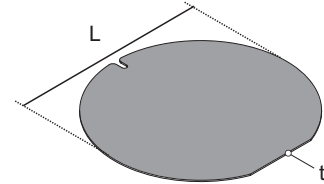
### UDKS3 Claw for plastic installation devices

article number	L mm	k mm	unit	G kg
<b>S</b>				
<b>UDKS3-VR</b>	35	35 - 50	1	0,01



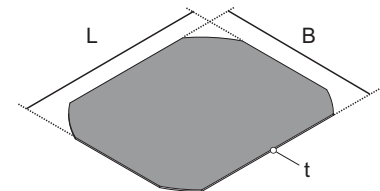
### UEB R cover inlay, dummy cover, round

article number	L mm	t mm	G kg
<b>KT</b>			
<b>UEB3-R 2</b>	295	2	0,081
<b>UEB3-R 5</b>	295	5	0,202



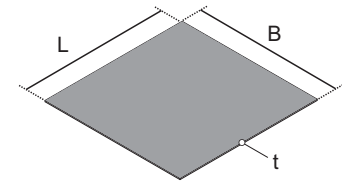
### UEK R cover inlay, hinged cover, round

article number	B mm	L mm	t mm	G kg
<b>KT</b>				
<b>UEK3-R 2</b>	219	259	2	0,073
<b>UEK3-R 5</b>	219	259	5	0,182



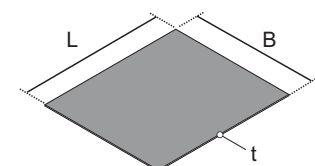
### UEB V cover inlay, dummy cover, quadrangular

article number	B mm	L mm	t mm	G kg
<b>KT</b>				
<b>UEB3-V 2</b>	245	249	2	0,073
<b>UEB3-V 5</b>	245	249	5	0,207



### UEK V cover inlay, hinged cover, quadrangular

article number	B mm	L mm	t mm	G kg
<b>KT</b>				
<b>UEK3-V 2</b>	210	243	2	0,069
<b>UEK3-V 5</b>	210	243	5	0,173



# Installation units for screed and hollow floors

## Plastic brush assembly units | Accessories

### UEKA3 cable connection flap

article number	colour	G	kg
<b>PA</b>			
<b>UEKA3-G</b>	RAL 7011 (iron grey)	0,01	
<b>UEKA3-S</b>	RAL 9011 (graphite black)	0,01	



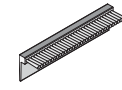
### UEKH3 opening lever

article number	colour	G	kg
<b>PA</b>			
<b>UEKH3-G</b>	RAL 7011 (iron grey)	0,01	
<b>UEKH3-S</b>	RAL 9011 (graphite black)	0,01	



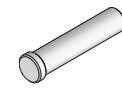
### UEK3-BK Brush cable outlet

article number	colour	G	kg
<b>PA</b>			
<b>UEK3-BK-S</b>	RAL 9005 (deep black)	0,01	



### UEK3 ST hinge pin

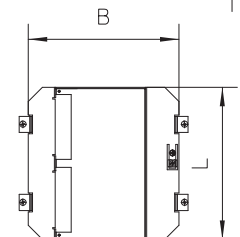
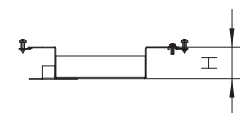
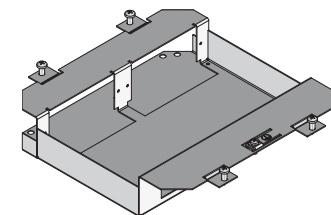
article number	G	kg
<b>S</b>		
<b>UEK3-ST S</b>	0,10	



### UGE3 60 device insert

article number	H	H <sub>min</sub>	B	L	data jacks	G	kg
	mm	mm	mm	mm			
<b>S</b>							
<b>UGE3-60K 4</b>	47	60	252	226	6	0,60	

accessories optional:  
**UGEE3 2** Louver (page C08)





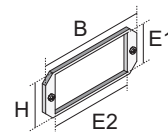
# Installation units for screed and hollow floors

## Plastic brush assembly units | Accessories

### UGEE3 2 Louver

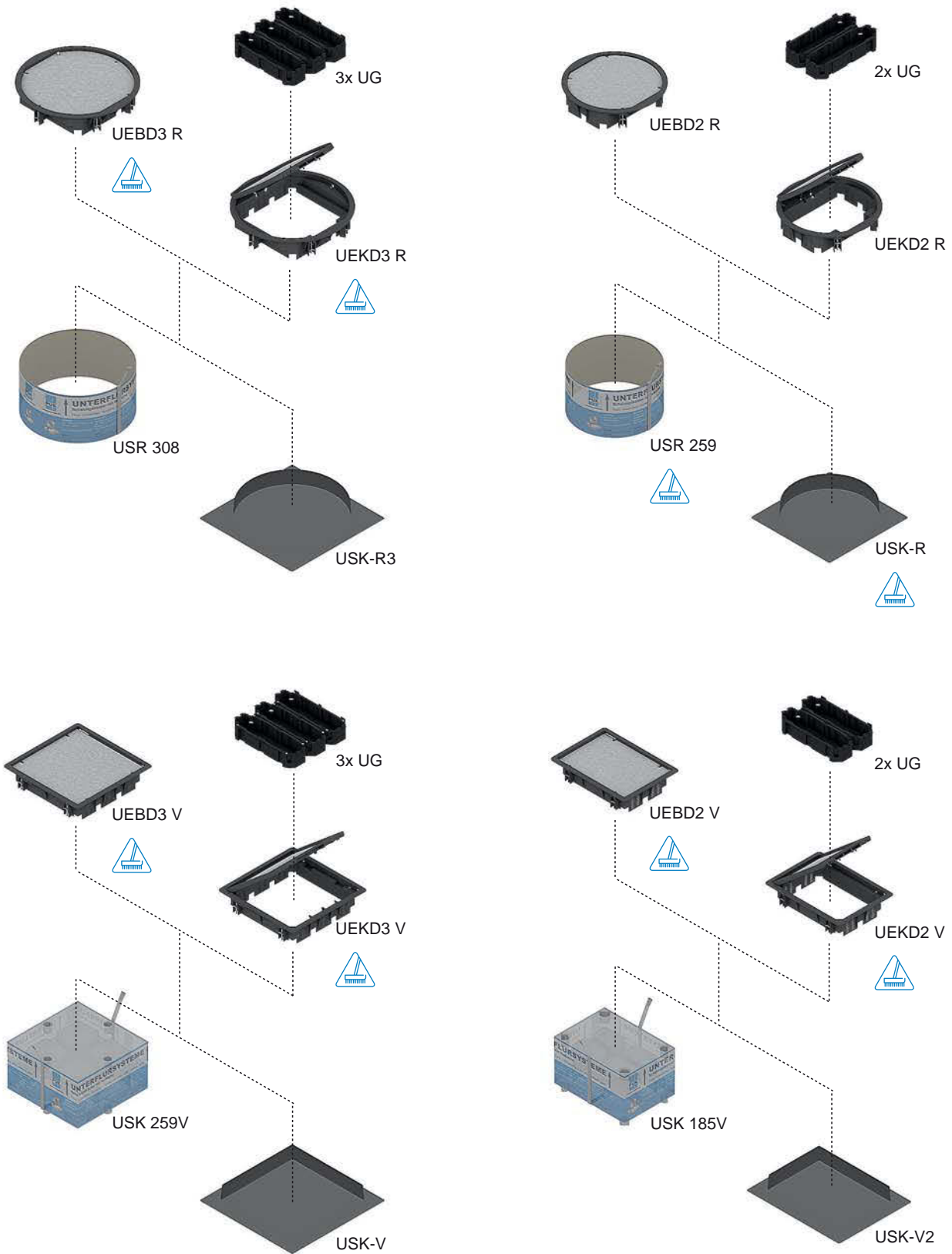
For the installation of two 45x45 mm installation devices.

article number	H mm	B mm	E1 mm	E2 mm	colour	G kg
<b>S</b>						
<b>UGEE3-2-UST45</b>	47	108	41	86	RAL 9005 (deep black)	0,05



# System overview

Installation units for screed and hollow floors



# Installation units for screed and hollow floors

## Installation unit made of plastic | Installation units, round

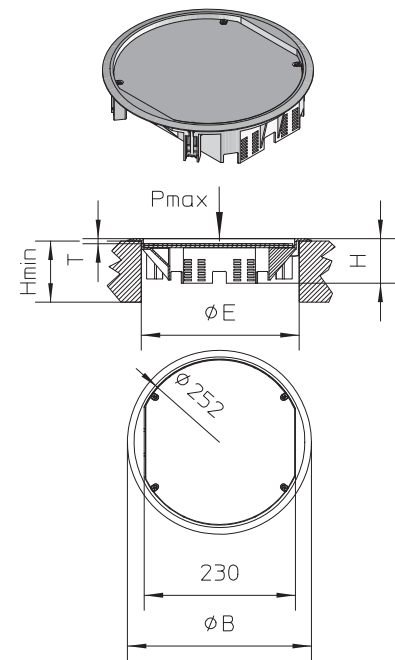
### UEBD2 R installation unit - dummy cover double, round

Round plastic dummy unit with carpet protection frame as a revision opening for rooms with carpet or linoleum floors. Please mind the technical information in chapter planning.

article number	H mm	H <sub>min</sub> mm	B mm	E mm	T mm	P <sub>max</sub> kN	colour	IP <sub>n</sub>	G kg
<b>PA</b>									
<b>UEBD2-R-G</b>	65	65	280	260	8	2	RAL 7011 (iron grey)	IP 30	1,32
<b>UEBD2-R-S</b>	65	65	280	260	8	2	RAL 9011 (graphite black)	IP 30	1,32

accessories included:  
1 x **UDBS-R 4** hollow space floor claw for Dummy cover (page C16)

accessories optional:  
**UEBD R** cover inlay, dummy cover, round (page C14)



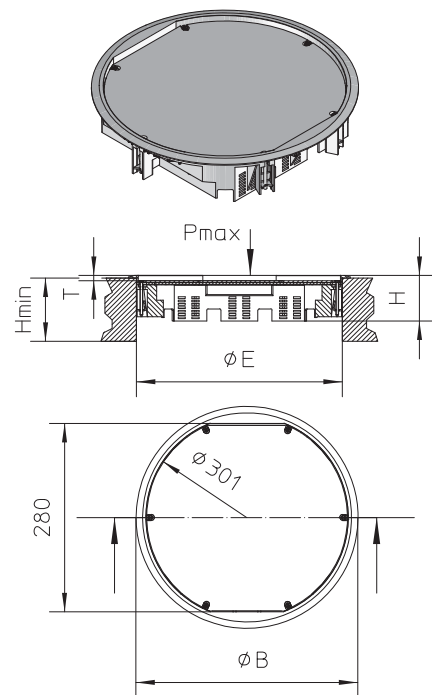
### UEBD3 R installation unit - dummy cover triple, round

Round plastic dummy unit with carpet protection frame as a revision opening for rooms with carpet or linoleum floors. Please mind the technical information in chapter planning.

article number	H mm	H <sub>min</sub> mm	B mm	E mm	T mm	P <sub>max</sub> kN	colour	IP <sub>n</sub>	G kg
<b>PA</b>									
<b>UEBD3-R-G</b>	65	65	330	307	8	2	RAL 7011 (iron grey)	IP 30	1,87
<b>UEBD3-R-S</b>	65	65	330	307	8	2	RAL 9011 (graphite black)	IP 30	1,87

accessories included:  
1 x **UDBS-R 6** hollow space floor claw for Dummy cover, round (page C16)

accessories optional:  
**UEBD R** cover inlay, dummy cover, round (page C14)



# Installation units for screed and hollow floors

Installation unit made of plastic | Installation units, round

## UEKD2 R installation unit - hinged cover double, round

Round hinged cover installation unit made of plastic with carpet protection frame for two device cups for rooms with carpet or linoleum floor covers.

Please mind the technical information in chapter planning.

For assembly instructions, see the chapter assembly.

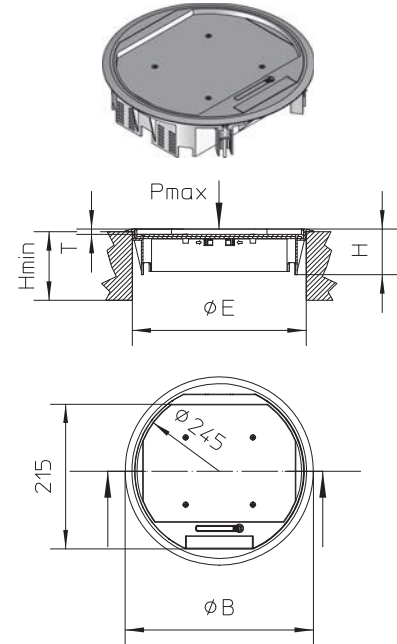
article number	H mm	H <sub>min</sub> mm	B mm	E mm	T mm	P <sub>max</sub> kN	colour	IP <sub>n</sub>	IP <sub>g</sub>	G kg
<b>PA</b>										
<b>UEKD2-R-G</b>	65	74	280	260	8	2	RAL 7011 (iron grey)	IP 30	IP 20	1,30
<b>UEKD2-R-S</b>	65	74	280	260	8	2	RAL 9011 (graphite black)	IP 30	IP 20	1,30

accessories included:

1 x **UDKS-R 4** hollow space floor claws for hinged cover, round (page C15)

accessories optional:

**UEKD R** cover inlay, hinged cover, round (page C14)



## UEKD3 R installation unit - hinged cover triple, round

Round hinged cover installation unit made of plastic with carpet protection frame for three device cups for rooms with carpet or linoleum floor covers.

Please mind the technical information in chapter planning.

For assembly instructions, see the chapter assembly.

article number	H mm	H <sub>min</sub> mm	B mm	E mm	T mm	P <sub>max</sub> kN	colour	IP <sub>n</sub>	IP <sub>g</sub>	G kg
<b>PA</b>										
<b>UEKD3-R-G</b>	65	74	330	307	8	2	RAL 7011 (iron grey)	IP 30	IP 20	1,84
<b>UEKD3-R-S</b>	65	74	330	307	8	2	RAL 9011 (graphite black)	IP 30	IP 20	1,84

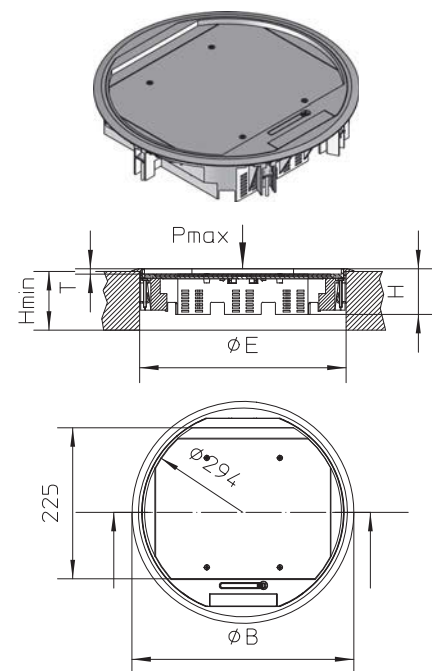
accessories included:

1 x **UDKS-R 6** hollow space floor claws for hinged cover, round (page C16)

accessories optional:

**UEKD R** cover inlay, hinged cover, round (page C14)

**UGEARL** registering extension, triple (page C15)



# Installation units for screed and hollow floors

Installation unit made of plastic | Installation units, quadrangular

## UEBD2 V installation unit - dummy cover - double, quadrangular

Square plastic dummy unit with carpet protection frame as inspection chamber for rooms with carpet or linoleum floor covers.

Please mind the technical information in chapter planning.

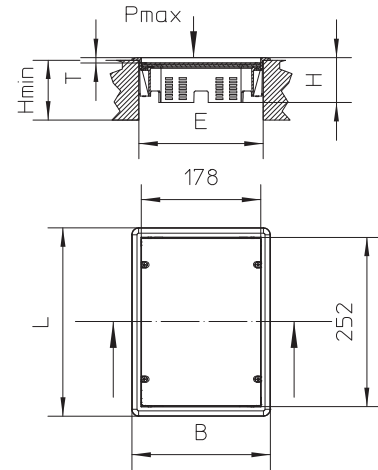
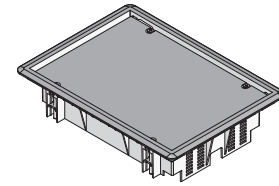
article number	H mm	H <sub>min</sub> mm	B mm	L mm	E mm	T mm	P <sub>max</sub> kN	colour	IP <sub>n</sub>	G kg
<b>PA</b>										
<b>UEBD2-V-G</b>	65	65	206	280	261 x 186	8	2	RAL 7011 (iron grey)	IP 30	1,30
<b>UEBD2-V-S</b>	65	65	206	280	261 x 186	8	2	RAL 9011 (graphite black)	IP 30	1,30

accessories included:

1 x **UDBS-R 4** hollow space floor claw for Dummy cover (page C16)

accessories optional:

**UEBD V** cover inlay, dummy cover, quadrangular (page C14)



## UEBD3 V installation unit - dummy cover triple, quadrangular

Square plastic dummy unit with carpet protection frame as inspection chamber for rooms with carpet or linoleum floor covers.

Please mind the technical information in chapter planning.

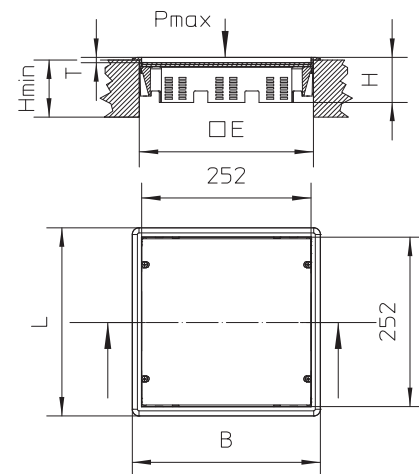
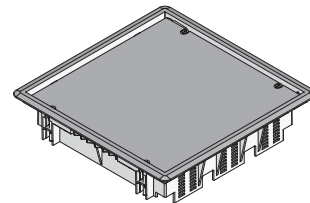
article number	H mm	H <sub>min</sub> mm	B mm	L mm	E mm	T mm	P <sub>max</sub> kN	colour	IP <sub>n</sub>	G kg
<b>PA</b>										
<b>UEBD3-V-G</b>	65	65	280	280	261 x 261	8	2	RAL 7011 (iron grey)	IP 30	1,50
<b>UEBD3-V-S</b>	65	65	280	280	261 x 261	8	2	RAL 9011 (graphite black)	IP 30	1,50

accessories included:

1 x **UDBS-R 4** hollow space floor claw for Dummy cover (page C16)

accessories optional:

**UEBD V** cover inlay, dummy cover, quadrangular (page C14)



# Installation units for screed and hollow floors

## Installation unit made of plastic | Installation units, quadrangular

### UEKD2 V installation unit - hinged cover double, quadrangular

Square hinged cover installation unit made of plastic with carpet protection frame for two device cups for rooms with carpet or linoleum floor covers.

Please mind the technical information in chapter planning.

For assembly instructions, see the chapter assembly.

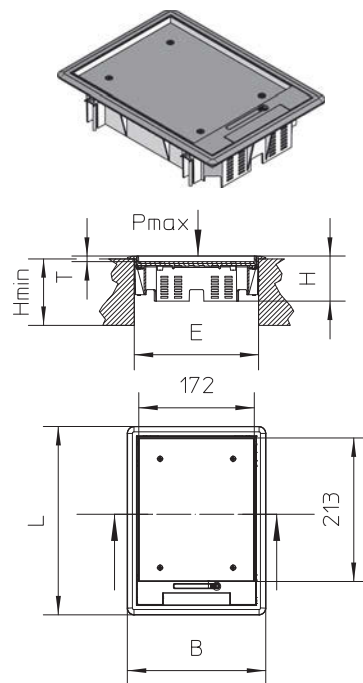
article number	H mm	H <sub>min</sub> mm	B mm	L mm	E mm	T mm	P <sub>max</sub> kN	colour	IP <sub>n</sub>	IP <sub>g</sub>	G kg
<b>PA</b>											
<b>UEKD2-V-G</b>	65	74	206	280	261x186	8	2	RAL 7011 (iron grey)	IP 30	IP 20	1,40
<b>UEKD2-V-S</b>	65	74	206	280	261x186	8	2	RAL 9011 (graphite black)	IP 30	IP 20	1,40

accessories included:

1 x **UDKS-V 4** hollow space floor claws for hinged cover, quadrangular (page C16)

accessories optional:

**UEKD V** cover inlay, hinged cover, quadrangular (page C14)



### UEKD3 V installation unit - hinged cover triple, quadrangular

Square hinged cover installation unit made of plastic with carpet protection frame for two device cups for rooms with carpet or linoleum floor covers.

Please mind the technical information in chapter planning.

For assembly instructions, see the chapter assembly.

article number	H mm	H <sub>min</sub> mm	B mm	L mm	E mm	T mm	P <sub>max</sub> kN	colour	IP <sub>n</sub>	IP <sub>g</sub>	G kg
<b>PA</b>											
<b>UEKD3-V-G</b>	65	74	280	280	261x261	8	2	RAL 7011 (iron grey)	IP 30	IP 20	1,60
<b>UEKD3-V-S</b>	65	74	280	280	261x261	8	2	RAL 9011 (graphite black)	IP 30	IP 20	1,60

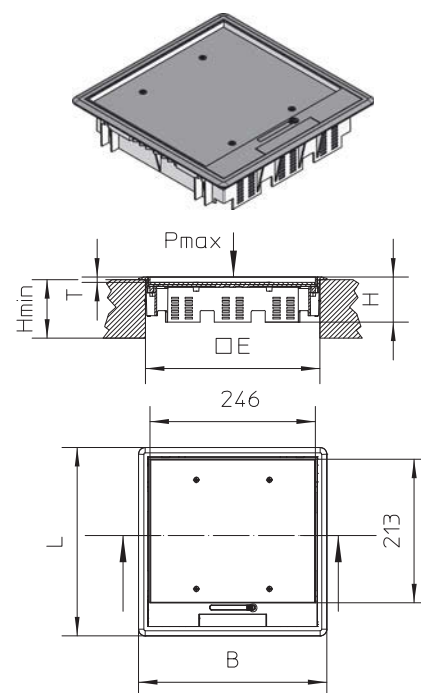
accessories included:

1 x **UDKS-V 4** hollow space floor claws for hinged cover, quadrangular (page C16)

accessories optional:

**UEKD V** cover inlay, hinged cover, quadrangular (page C14)

**UGEARL** registering extension, triple (page C15)

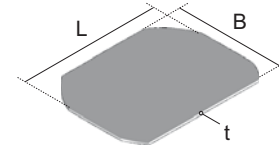


# Installation units for screed and hollow floors

Installation unit made of plastic | Installation units accessories

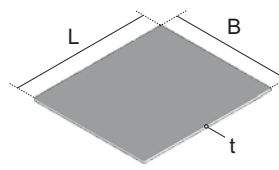
## UEKD R cover inlay, hinged cover, round

article number	B mm	L mm	t mm	G kg
<b>KT</b>				
<b>UEKD2-R 3</b>	174	242	3	0,11
<b>UEKD3-R 3</b>	224	290	3	0,12
<b>PVC</b>				
<b>UEKD3-R 5K</b>	224	290	5	0,13



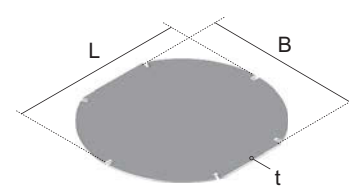
## UEKD V cover inlay, hinged cover, quadrangular

article number	B mm	L mm	t mm	G kg
<b>KT</b>				
<b>UEKD2-V 3</b>	169	210	3	0,10
<b>UEKD3-V 3</b>	243	210	3	0,12
<b>PVC</b>				
<b>UEKD3-V 5K</b>	210	243	5	0,11



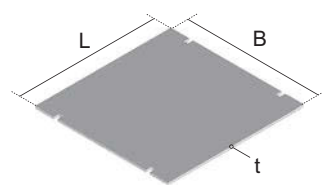
## UEBD R cover inlay, dummy cover, round

article number	B mm	L mm	t mm	G kg
<b>KT</b>				
<b>UEBD2-R 3</b>	176	247	3	0,11
<b>UEBD3-R 3</b>	297	277	3	0,13



## UEBD V cover inlay, dummy cover, quadrangular

article number	B mm	L mm	t mm	G kg
<b>KT</b>				
<b>UEBD3-V 3</b>	245	250	3	0,12
<b>UEBD2-V 3</b>	176	247	3	0,10

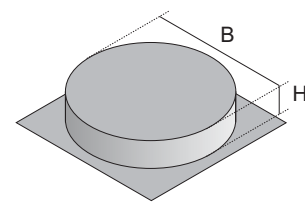


## USK R shuttering round

Shuttering made of plastic material for generating an installation opening for round installation units in raised floors.  
For assembly instructions, see the chapter assembly.

article number	H mm	D mm	G kg
<b>PP</b>			
<b>USK-R</b>	52	260	0,18
<b>USK-R3</b>	52	308	0,21

accessories optional:  
**UEKD2 R** installation unit - hinged cover double, round (page C11)  
**UEKD3 R** installation unit - hinged cover triple, round (page C11)



# Installation units for screed and hollow floors

## Installation unit made of plastic | Installation units accessories

### USK V shuttering, quadrangular

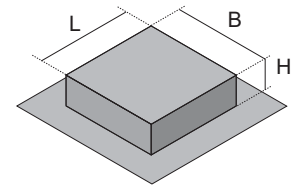
Shuttering made of plastic material for generating an installation opening for square installation units in raised floors. For assembly instructions, see the chapter assembly.

article number	H mm	B mm	L mm	G kg
<b>PP</b>				
<b>USK-V2</b>	52	261	186	0,17
<b>USK-V</b>	52	261	261	0,19

accessories optional:

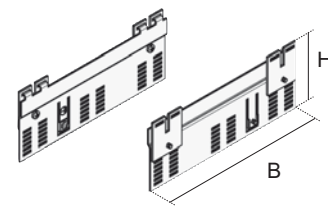
**UEKD2 V** installation unit - hinged cover double, quadrangular (page C13)

**UEKD3 V** installation unit - hinged cover triple, quadrangular (page C13)



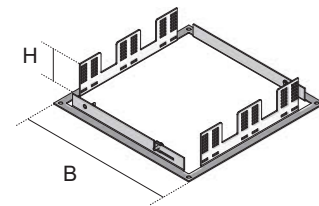
### UGEARL registering extension, triple

article number	H mm	H <sub>min</sub> mm	B mm	lock-in range mm	G kg
<b>S</b>					
<b>UGEARL 50S</b>	78,4	135	191,5	50	0,40



### UGEARL retrofit kit for device cup

article number	H mm	B mm	G kg
<b>S</b>			
<b>UGEARL-50S</b>	54,5	258	0,50
<b>UGEARL-80S</b>	83,5	258	0,55



### ULS R sealing bag

article number	G kg
<b>PE</b>	
<b>ULS-R 305</b>	0,01



### UDKS R 4 hollow space floor claws for hinged cover, round

article number	k mm	unit	G kg
<b>S</b>			
<b>UDKS-R 4</b>	30 - 50	4	0,04

accessories optional:

**UEKD2 R** installation unit - hinged cover double, round (page C11)





# Installation units for screed and hollow floors

Installation unit made of plastic | Installation units accessories

## UDKS R 6 hollow space floor claws for hinged cover, round

article number	k mm	unit	G kg
<b>S</b>			
<b>UDKS-R 6</b>	30 - 50	6	0,05

accessories optional:

**UEKD3 R** installation unit - hinged cover triple, round (page C11)



## UDKS V 4 hollow space floor claws for hinged cover, quadrangular

article number	k mm	unit	G kg
<b>S</b>			
<b>UDKS-V 4</b>	30 - 45	4	0,04

accessories optional:

**UEKD2 V** installation unit - hinged cover double, quadrangular (page C13)

**UEKD3 V** installation unit - hinged cover triple, quadrangular (page C13)



## UDBS R 4 hollow space floor claw for Dummy cover

article number	k mm	unit	G kg
<b>S</b>			
<b>UDBS-R 4</b>	30 - 50	4	0,04

accessories optional:

**UEBD2 R** installation unit - dummy cover double, round (page C10)



## UDBS R 6 hollow space floor claw for Dummy cover, round

article number	k mm	unit	G kg
<b>S</b>			
<b>UDBS-R 6</b>	30 - 50	6	0,05

accessories optional:

**UEBD3 R** installation unit - dummy cover triple, round (page C10)



## UDBS V 4 hollow space floor claw for Dummy cover, quadrangular

article number	k mm	unit	G kg
<b>S</b>			
<b>UDBS-V 4</b>	30 - 45	4	0,04

accessories optional:

**UEBD2 V** installation unit - dummy cover - double, quadrangular (page C12)

**UEBD3 V** installation unit - dummy cover triple, quadrangular (page C12)



# Installation units for screed and hollow floors

Installation unit made of plastic | Installation units accessories

## UDKSEB claw, screed flush

article number	L mm	k mm	unit	G kg
----------------	---------	---------	------	---------

<b>S</b>				
<b>UDKSEB</b>	3 - 35		1	0,01

accessories optional:

<b>UEBSMD 122R</b>	Assembly cover, round	(page A04)
<b>UEBSMD 185V</b>	Assembly cover, quadrangular	(page A05)
<b>UEBSMD 260R</b>	Assembly cover, round	(page A05)
<b>UEBSMD 260V</b>	Assembly cover, quadrangular	(page A05)
<b>UEBSMD 307R</b>	Assembly cover, round	(page A05)



## UDBS 40-80 claw for plastic dummy cover

article number	L mm	k mm	unit	G kg
----------------	---------	---------	------	---------

<b>S</b>				
<b>UDBS 40-80</b>	100	40 - 95	1	0,02

accessories optional:

<b>UEBD2 R</b>	installation unit - dummy cover double, round	(page C10)
<b>UEBD3 R</b>	installation unit - dummy cover triple, round	(page C10)
<b>UEBD2 V</b>	installation unit - dummy cover - double, quadrangular	(page C12)
<b>UEBD3 V</b>	installation unit - dummy cover triple, quadrangular	(page C12)
<b>UEBDD2 V E</b>	cartridge installation unit dummy cover double, quadrangular	(page C20)
<b>UEBDD V E</b>	Dummy cartridge installation unit, triple, quadrangular	(page C21)
<b>UEKDD1-2 V E</b>	cartridge unit - hinged cover single, quadrangular	(page C21)
<b>UEKDD2 V E</b>	cartridge unit - hinged cover double, quadrangular	(page C22)
<b>UEKDD V E</b>	cartridge unit - hinged cover triple, quadrangular	(page C22)



## UDKS 40-80 claw for plastic hinged cover

article number	L mm	k mm	unit	G kg
----------------	---------	---------	------	---------

<b>S</b>				
<b>UDKS 40-80</b>	80	40 - 85	1	0,02

accessories optional:

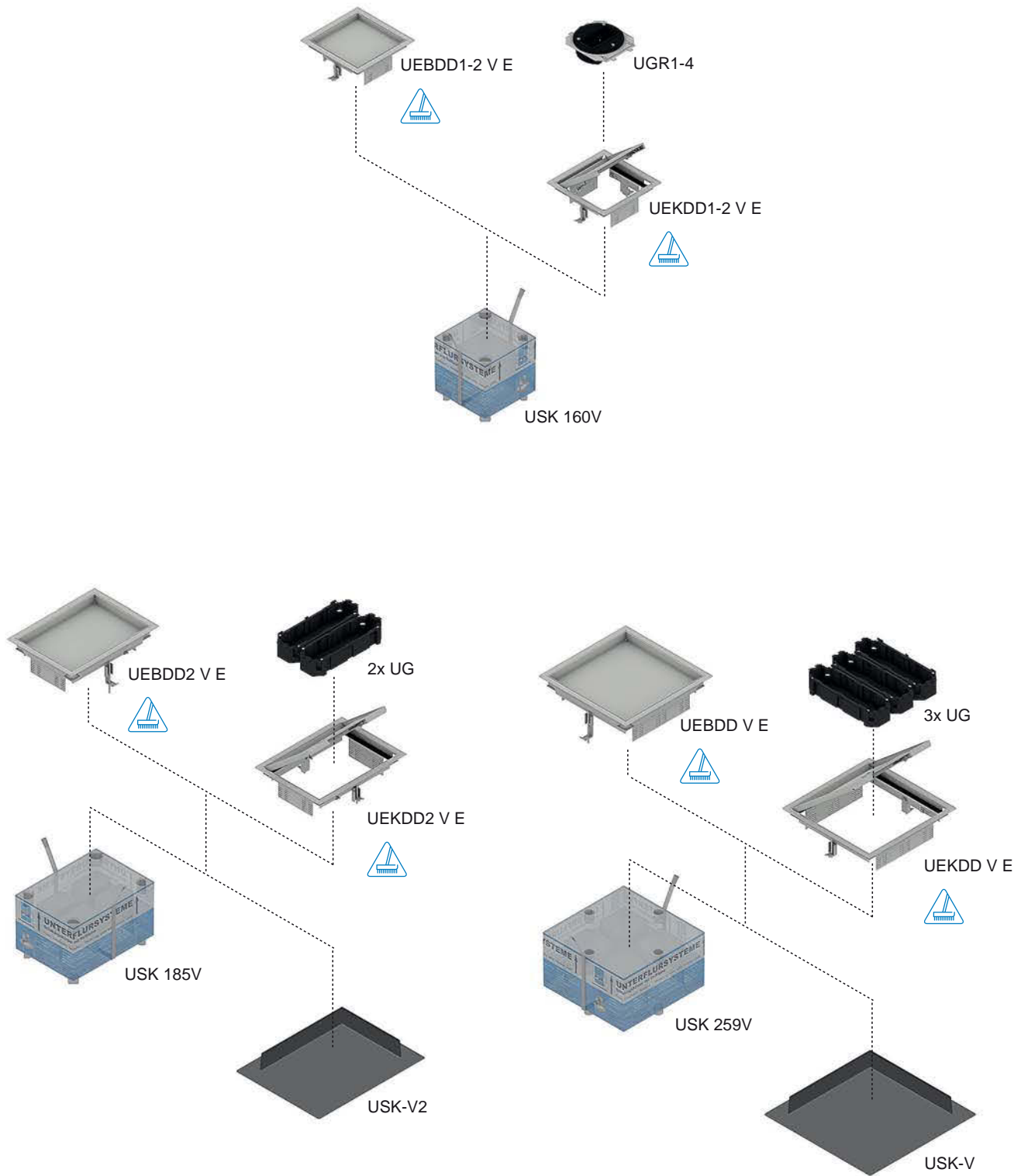
<b>UEKD2 R</b>	installation unit - hinged cover double, round	(page C11)
<b>UEKD3 R</b>	installation unit - hinged cover triple, round	(page C11)
<b>UEKD2 V</b>	installation unit - hinged cover double, quadrangular	(page C13)
<b>UEKD3 V</b>	installation unit - hinged cover triple, quadrangular	(page C13)





# System overview

Installation units for screed and hollow floors



# Installation units for screed and hollow floors

## Cartridge installation unit, quadrangular

### UEBDD1-2 V E cartridge installation unit - dummy cover, single

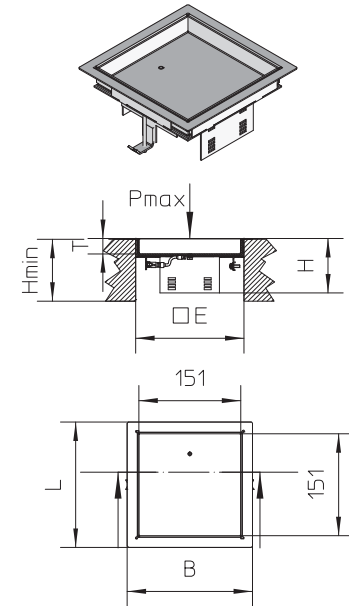
Square dummy installation unit with a stainless steel cover protection frame for rooms with dry-maintenance floors. Please mind the technical information in chapter planning. For assembly instructions, see the chapter assembly.



article number	H mm	H <sub>min</sub> mm	B mm	L mm	E mm	T mm	P <sub>max</sub> kN	IP <sub>n</sub>	G kg
<b>E</b>									
<b>UEBDD1-2 15-V E</b>	71	80	186	186	165 x 165	12	1,5	IP 30	1,00
<b>UEBDD1-2 25-V E</b>	81	90	186	186	165 x 165	22	1,5	IP 30	1,20

accessories included:

- 1 x **UGKD1-2-V 2** rubber seal, quadrangular (page C53)
- 2 x **UDBS 40-80** claw for plastic dummy cover (page C17)



### UEBDD2 V E cartridge installation unit dummy cover double, quadrangular

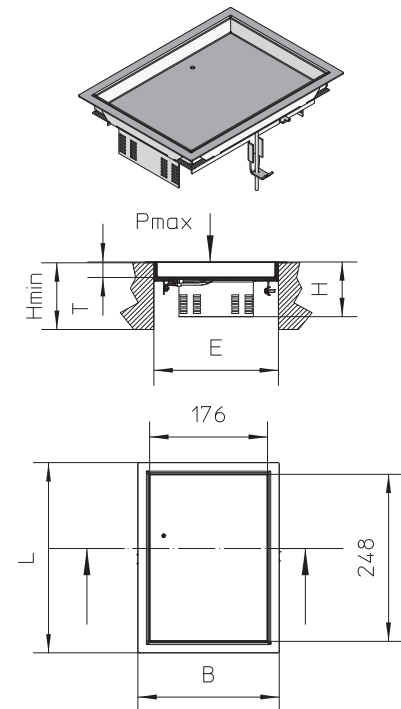
Square dummy cartridge unit with a stainless-steel cover protection frame as an inspection chamber for rooms with dry-maintenance floors. Please mind the technical information in chapter planning. For assembly instructions, see the chapter assembly.



article number	H mm	H <sub>min</sub> mm	B mm	L mm	E mm	T mm	P <sub>max</sub> kN	IP <sub>n</sub>	G kg
<b>E</b>									
<b>UEBDD2 15-V E</b>	72	90	210	283	261 x 186	12	1,5	IP 30	1,71
<b>UEBDD2 25-V E</b>	82	100	210	283	261 x 186	22	1,5	IP 30	2,50

accessories included:

- 1 x **UGD2-V 2** rubber seal, quadrangular (page C40)
- 2 x **UDBS 40-80** claw for plastic dummy cover (page C17)



# Installation units for screed and hollow floors

## Cartridge installation unit, quadrangular

### UEBDD V E Dummy cartridge installation unit, triple, quadrangular

Square dummy cartridge unit with a stainless-steel cover protection frame as an inspection chamber for rooms with dry-maintenance floors.

Please mind the technical information in chapter planning.

For assembly instructions, see the chapter assembly.

article number	H mm	H <sub>min</sub> mm	B mm	L mm	E mm	T mm	P <sub>max</sub> kN	IP <sub>n</sub>	G kg
<b>E</b>									
<b>UEBDD 15-V E</b>	72	90	283	283	261 x 261	12	2	IP 30	2,10
<b>UEBDD 25-V E</b>	82	100	283	283	261 x 261	22	2	IP 30	2,30

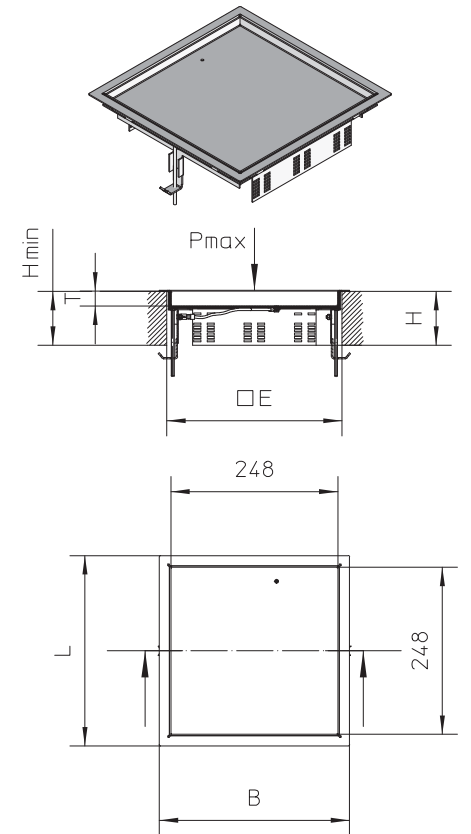
accessories included:

1 x **UGD-V 2** rubber seal, quadrangular (page C40)

2 x **UDBS 40-80** claw for plastic dummy cover (page C17)

accessories optional:

**UEBDE V** cover insert, high-grade steel dummy cartridge, triple (page C37)



### UEKDD1-2 V E cartridge unit - hinged cover single, quadrangular

Square hinged cover installation unit with a stainless steel cover protection frame to accommodate one device cup for rooms with dry-maintenance floors.

Please mind the technical information in chapter planning.

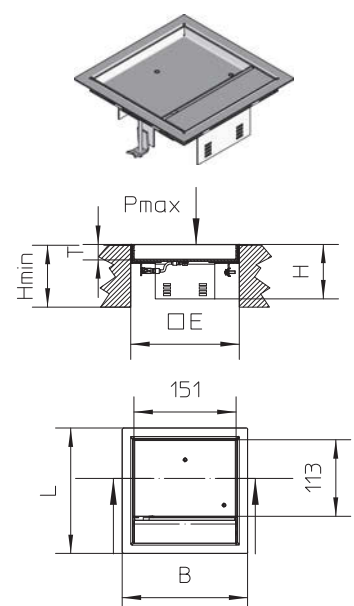
For assembly instructions, see the chapter assembly.

article number	H mm	H <sub>min</sub> mm	B mm	L mm	E mm	T mm	P <sub>max</sub> kN	IP <sub>n</sub>	IP <sub>g</sub>	G kg
<b>E</b>										
<b>UEKDD1-2 15-V E</b>	71	80	186	186	165 x 165	12	1,5	IP 30	IP 20	1,26
<b>UEKDD1-2 25-V E</b>	81	90	186	186	165 x 165	22	1,5	IP 30	IP 20	1,41

accessories included:

1 x **UGKD1-2-V 2** rubber seal, quadrangular (page C53)

2 x **UDBS 40-80** claw for plastic dummy cover (page C17)



# Installation units for screed and hollow floors

## Cartridge installation unit, quadrangular

### UEKDD2 V E cartridge unit - hinged cover double, quadrangular

Square hinged cover installation unit with a stainless steel cover protection frame to accommodate two device cups for rooms with dry-maintenance floors.

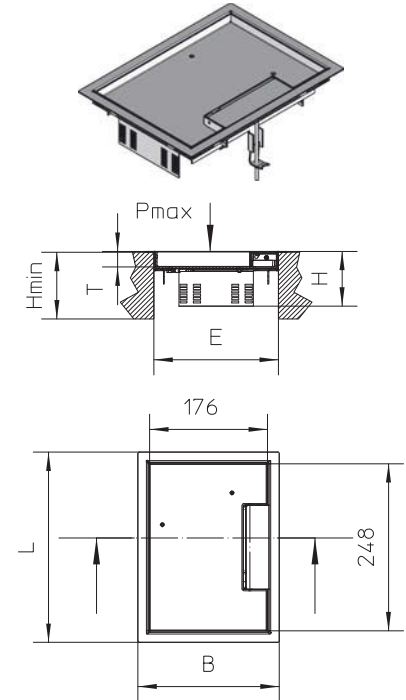
Please mind the technical information in chapter planning.

For assembly instructions, see the chapter assembly.

article number	H mm	H <sub>min</sub> mm	B mm	L mm	E mm	T mm	P <sub>max</sub> kN	IP <sub>n</sub>	IP <sub>g</sub>	G kg
<b>E</b>										
<b>UEKDD2 15-V E</b>	72	90	210	283	261 x 186	12	1,5	IP 30	IP 20	1,71
<b>UEKDD2 25-V E</b>	82	100	210	283	261 x 186	22	1,5	IP 30	IP 20	2,50

accessories included:

- 1 x **UGD2-V 2** rubber seal, quadrangular (page C40)
- 2 x **UDBS 40-80** claw for plastic dummy cover (page C17)



### UEKDD V E cartridge unit - hinged cover triple, quadrangular

Square hinged cover installation unit with a stainless steel cover protection frame to accommodate three device cups for rooms with dry-maintenance floors.

Please mind the technical information in chapter planning.

For assembly instructions, see the chapter assembly.

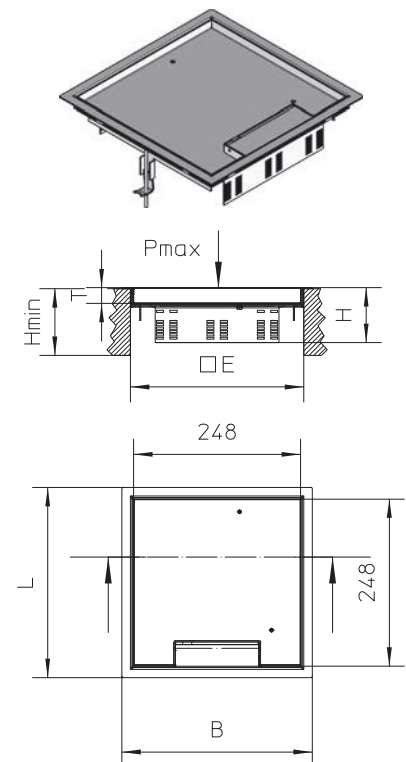
article number	H mm	H <sub>min</sub> mm	B mm	L mm	E mm	T mm	P <sub>max</sub> kN	IP <sub>n</sub>	IP <sub>g</sub>	G kg
<b>E</b>										
<b>UEKDD 15-V E</b>	72	90	283	283	261 x 261	12	2	IP 30	IP 20	1,60
<b>UEKDD 25-V E</b>	82	100	283	283	261 x 261	22	2	IP 30	IP 20	2,80

accessories included:

- 1 x **UGD-V 2** rubber seal, quadrangular (page C40)
- 2 x **UDBS 40-80** claw for plastic dummy cover (page C17)

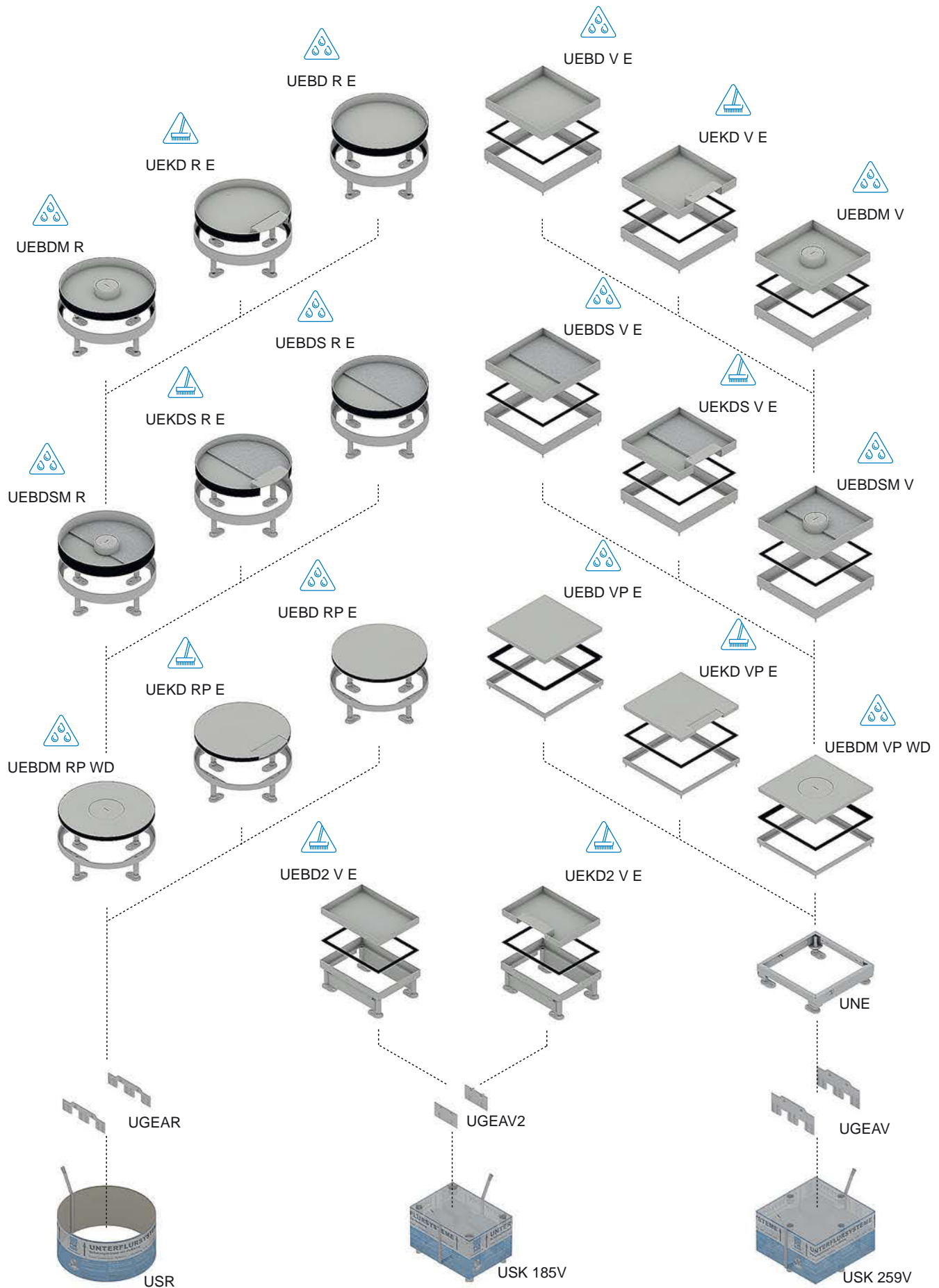
accessories optional:

- UEKDE V** cover insert, high-grade steel cable outlet cartridge, triple (page C37)



# System overview

Installation units for screed and hollow floors





# Installation units for screed and hollow floors

installation unit made of high-grade steel | Cartridge unit round

## UEBD R E Triple dummy cartridge unit, round, levellable

Round dummy cartridge unit made of stainless steel sheet as an inspection chamber with hem for rooms with wet-maintenance floors.

Please mind the technical information in chapter planning.  
For assembly instructions, see the chapter assembly.

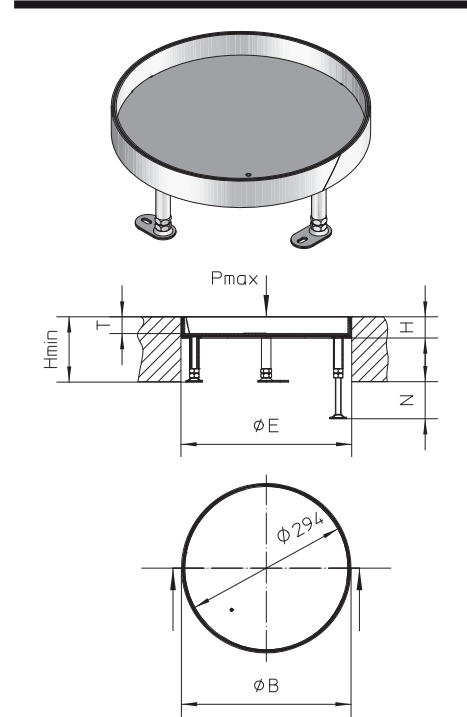
article number	H mm	H <sub>min</sub> mm	N mm	B mm	E mm	T mm	P <sub>max</sub> kN	IP <sub>n</sub>	G kg
<b>UEBD 15-R E</b>	21	100	+ 55	305	307	12	2	IP 54	3,14
<b>UEBD 35-R E</b>	38	117	+ 55	305	307	30	2	IP 54	3,67

accessories included:

- 1 x **UGEAR-ELS** grounding angle bracket (page C41)
- 1 x **UGD-R 10-2** rubber seal, round (page C39)
- 1 x **UGDB15-R300 1.8** rubber seal, round (page C39)

accessories optional:

- UEBDE R** cover insert, high-grade steel dummy cartridge, triple (page C37)
- UBDSL F** levelling support (page A14, C41)
- UGM SLF** Subsonic noise sleeve socket - levelling support (page A14, C41)



## UEBDS R E heavy-duty dummy cartridge unit, triple, round, levellable

Round heavy-duty dummy cartridge unit made of stainless steel sheet as an inspection chamber with hem for rooms with wet-maintenance floors.

Please mind the technical information in chapter planning.  
For assembly instructions, see the chapter assembly.

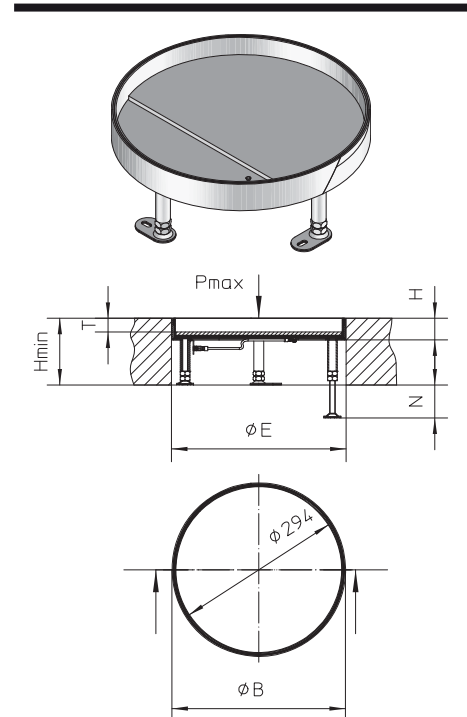
article number	H mm	H <sub>min</sub> mm	N mm	B mm	E mm	T mm	P <sub>max</sub> kN	IP <sub>n</sub>	G kg
<b>UEBDS 35-R6 E</b>	38	117	+ 55	305	307	24	20	IP 54	6,93

accessories included:

- 1 x **UGEAR-ELS** grounding angle bracket (page C41)
- 1 x **UGD-R 10-2** rubber seal, round (page C39)
- 1 x **UGDB15-R300 1.8** rubber seal, round (page C39)

accessories optional:

- UBDSL F** levelling support (page A14, C41)
- UGM SLF** Subsonic noise sleeve socket - levelling support (page A14, C41)



# Installation units for screed and hollow floors

installation unit made of high-grade steel | Cartridge unit round

## UEBD RP E Dummy cartridge unit, tripple, plan, round

Round dummy cartridge unit made of pearl blasted stainless steel sheet plan as an inspection chamber with hem for rooms with wet-maintenance floors.

Please mind the technical information in chapter planning.

For assembly instructions, see the chapter assembly.

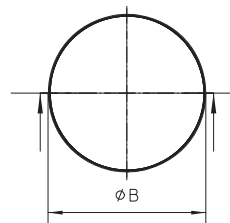
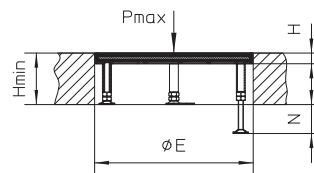
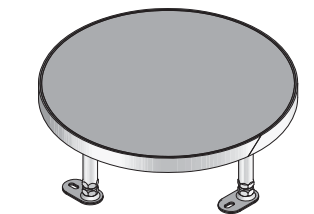
article number	H mm	H <sub>min</sub> mm	N mm	B mm	E mm	P <sub>max</sub> kN	IP <sub>n</sub>	IP <sub>g</sub>	G kg
<b>UEBD 15-RP E</b>	21	100	+ 55	305	307	4	IP 54		3,20

accessories included:

1 x <b>UGEAR-ELS</b>	grounding angle bracket	(page C41)
1 x <b>UGD-R 10-2</b>	rubber seal, round	(page C39)
1 x <b>UGDB15-R300 1.8</b>	rubber seal, round	(page C39)

accessories optional:

<b>UBDSL F</b>	levelling support	(page A14, C41)
<b>UGM SLF</b>	Subsonic noise sleeve socket - levelling support	(page A14, C41)



## UEKD R E cartridge cover, triple, round, levellable

Round cable outlet cartridge unit made of stainless steel with hem to accommodate three device cups for rooms with dry-maintenance floors.

Please mind the technical information in chapter planning.

For assembly instructions, see the chapter assembly.

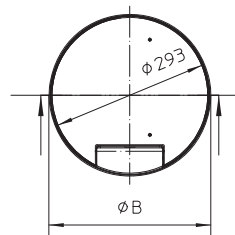
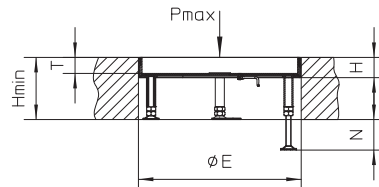
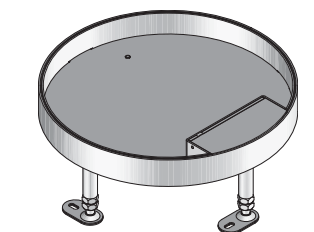
article number	H mm	H <sub>min</sub> mm	N mm	B mm	E mm	T mm	P <sub>max</sub> kN	IP <sub>n</sub>	IP <sub>g</sub>	G kg
<b>UEKD 15-R E</b>	21	100	+ 55	305	307	12	2	IP 30	IP 20	3,20
<b>UEKD 35-R E</b>	38	117	+ 55	305	307	30	2	IP 30	IP 20	3,46

accessories included:

1 x <b>UGD-R 10-2</b>	rubber seal, round	(page C39)
-----------------------	--------------------	------------

accessories optional:

<b>UEKDE R</b>	cover insert, high-grade steel cable outlet cartridge, triple	(page C37)
<b>UGEAR</b>	set of registering leads, round	(page C28)
<b>UBDSL F</b>	levelling support	(page A14, C41)
<b>UGM SLF</b>	Subsonic noise sleeve socket - levelling support	(page A14, C41)



# Installation units for screed and hollow floors

installation unit made of high-grade steel | Cartridge unit round

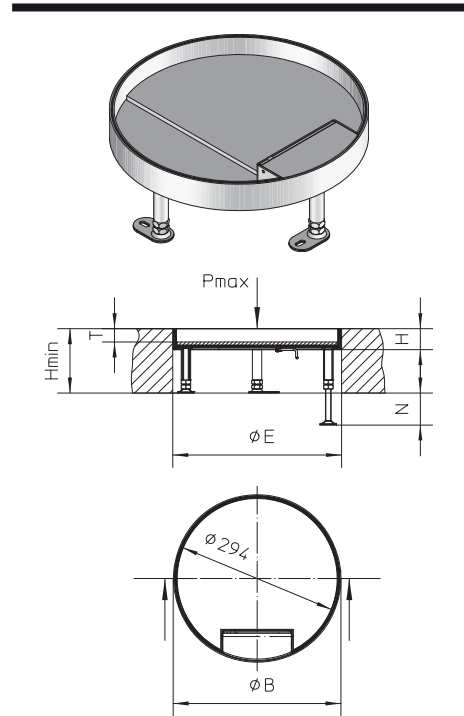
## UEKDS R E heavy-duty cable outlet cartridge, triple, round, levellable

Round heavy-duty cable outlet cartridge unit made of stainless steel sheet with hem to accommodate three device cups for rooms with dry-maintenance floors.  
Please mind the technical information in chapter planning.  
For assembly instructions, see the chapter assembly.

article number	H mm	H <sub>min</sub> mm	N mm	B mm	E mm	T mm	P <sub>max</sub> kN	IP <sub>n</sub>	IP <sub>g</sub>	G kg
<b>UEKDS 35-R6 E</b>	38	117	+ 55	305	307	24	10	IP 30	IP 20	6,30

accessories included:  
1 x **UGD-R 10-2** rubber seal, round (page C39)

accessories optional:  
**UGEAR** set of registering leads, round (page C28)  
**UBDSLFL** levelling support (page A14, C41)  
**UGM SLF** Subsonic noise sleeve socket - levelling support (page A14, C41)



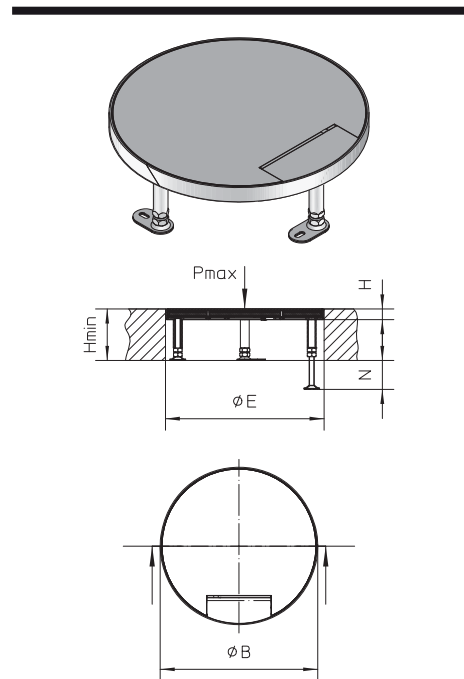
## UEKD RP E Cable-outlet cartridge unit, tripple, plan, round

Round cable outlet cartridge unit made of pearl blasted stainless steel sheet plan with hem to accommodate three device cups for rooms with dry-maintenance floors.  
Please mind the technical information in chapter planning.  
For assembly instructions, see the chapter assembly.

article number	H mm	H <sub>min</sub> mm	N mm	B mm	E mm	P <sub>max</sub> kN	IP <sub>n</sub>	IP <sub>g</sub>	G kg
<b>UEKD 15-RP E</b>	21	100	+ 55	305	307	4	IP 30	IP 20	3,25

accessories included:  
1 x **UGD-R 10-2** rubber seal, round (page C39)

accessories optional:  
**UGEAR** set of registering leads, round (page C28)  
**UBDSLFL** levelling support (page A14, C41)  
**UGM SLF** Subsonic noise sleeve socket - levelling support (page A14, C41)



# Installation units for screed and hollow floors

installation unit made of high-grade steel | Cartridge unit round

## UEBDM R Tube cartridge unit, triple, round, levellable

Round tube cartridge unit made of stainless steel sheet with hem to accommodate three device cups for rooms with wet-maintenance floors.

Please mind the technical information in chapter planning.

For assembly instructions, see the chapter assembly.

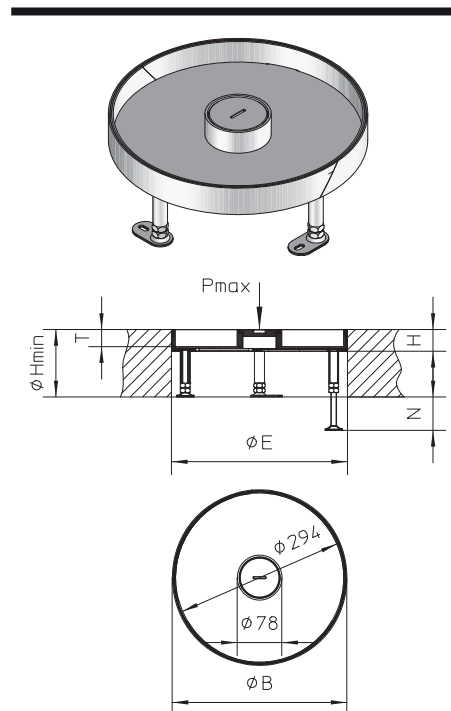
article number	H mm	H <sub>min</sub> mm	N mm	B mm	E mm	T mm	P <sub>max</sub> kN	IP <sub>n</sub>	IP <sub>g</sub>	G kg
<b>AL   E   G</b>										
<b>UEBDM 15-R-WD</b>	21	100	+ 55	305	307	12	2	IP 54	IP 22	3,20
<b>UEBDM 35-R-WD</b>	38	117	+ 55	305	307	30	2	IP 54	IP 22	3,82

accessories included:

1 x <b>UGDB15-R300 1.8</b>	rubber seal, round	(page C39)
1 x <b>UGD-R 10-2</b>	rubber seal, round	(page C39)
1 x <b>UETD-R-WD</b>	tube cover	(page C38)

accessories optional:

<b>UEBDME R</b>	cover insert, tube outlet cartridge made of high-grade steel, triple	(page C37)
<b>UGEAR</b>	set of registering leads, round	(page C28)
<b>UET</b>	tube for wet maintenance	(page C38)
<b>UBDSLFL</b>	levelling support	(page A14, C41)
<b>UGM SLF</b>	Subsonic noise sleeve socket - levelling support	(page A14, C41)



## UEBDSM R heavy-duty tube-cartridge unit triple, round, levellable

Round heavy-duty tube cartridge unit made of stainless steel sheet with hem to accommodate three device cups for rooms with wet-maintenance floors.

Please mind the technical information in chapter planning.

For assembly instructions, see the chapter assembly.

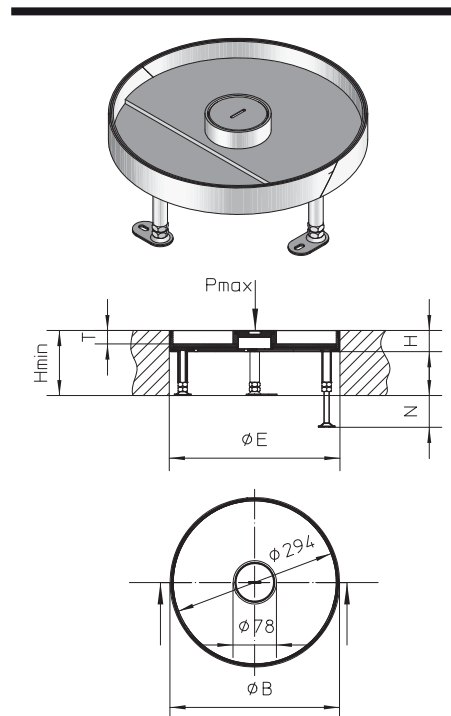
article number	H mm	H <sub>min</sub> mm	N mm	B mm	E mm	T mm	P <sub>max</sub> kN	IP <sub>n</sub>	IP <sub>g</sub>	G kg
<b>AL   E   G</b>										
<b>UEBDSM 35-R6-WD</b>	38	117	+ 55	305	307	24	20	IP 54	IP 22	6,79

accessories included:

1 x <b>UETD-R-WD</b>	tube cover	(page C38)
1 x <b>UGD-R 10-2</b>	rubber seal, round	(page C39)
1 x <b>UGDB15-R300 1.8</b>	rubber seal, round	(page C39)

accessories optional:

<b>UGEAR</b>	set of registering leads, round	(page C28)
<b>UET</b>	tube for wet maintenance	(page C38)
<b>UBDSLFL</b>	levelling support	(page A14, C41)
<b>UGM SLF</b>	Subsonic noise sleeve socket - levelling support	(page A14, C41)



# Installation units for screed and hollow floors

installation unit made of high-grade steel | Cartridge unit round

## UEBDM RP WD Tube cartridge unit, tripple, plan, round

Round tube cartridge unit made of pearl blasted stainless steel sheet plan with hem to accommodate three device cups for rooms with wet-maintenance floors.  
Please mind the technical information in chapter planning.  
For assembly instructions, see the chapter assembly.



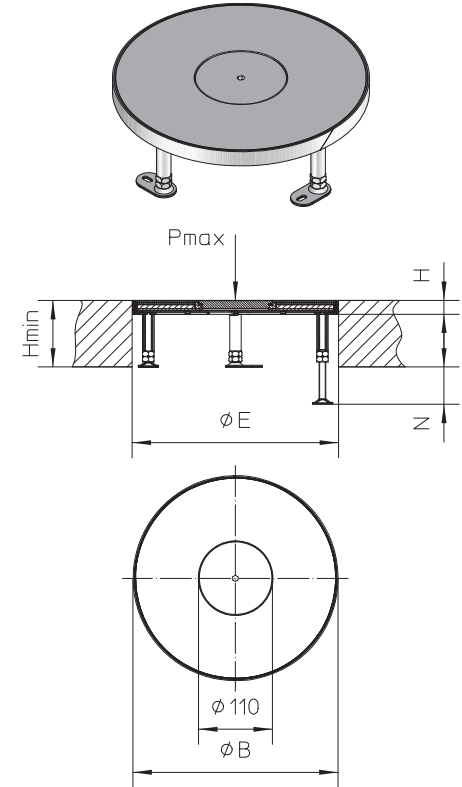
article number	H mm	H <sub>min</sub> mm	N mm	B mm	E mm	P <sub>max</sub> kN	IP <sub>n</sub>	IP <sub>g</sub>	G kg
<b>E   G</b>									
<b>UEBDM 15-RP-WD</b>	21	100	+ 55	305	307	4	IP 54	IP 22	3,30

accessories included:

1 x <b>UETD112-R-WD</b>	tube cover	(page C39)
1 x <b>UGD-R 10-2</b>	rubber seal, round	(page C39)
1 x <b>UGDB15-R300 1.8</b>	rubber seal, round	(page C39)

accessories optional:

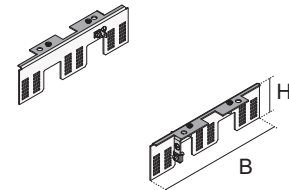
<b>UET112</b>	tube for wet maintenance	(page C38)
<b>UGEAR</b>	set of registering leads, round	(page C28)
<b>UBDSL</b>	levelling support	(page A14, C41)
<b>UGM SLF</b>	Subsonic noise sleeve socket - levelling support	(page A14, C41)



## UGEAR set of registering leads, round

To be screwed to a round stainless steel cartridge unit.

article number	H mm	H <sub>min</sub> mm	B mm	lock-in range mm	G kg
<b>S</b>					
<b>UGEAR-50S</b>	55	65	190	30	0,28
<b>UGEAR-80S</b>	84	95	190	30	0,34



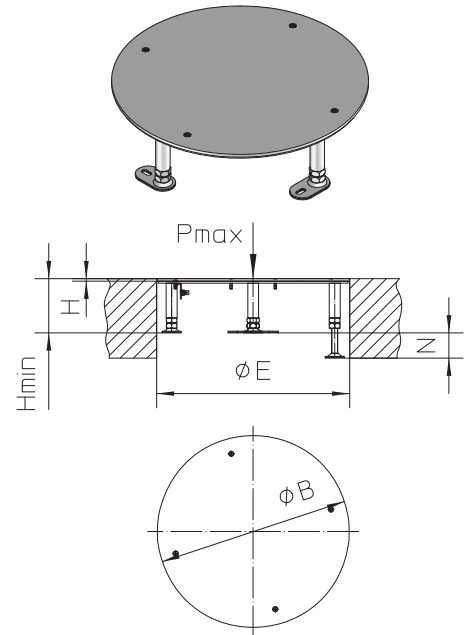
# Installation units for screed and hollow floors

installation unit made of high-grade steel | Cartridge unit round

## UNE 305R Dummy cover, triple, round



article number	H mm	H <sub>min</sub> mm	N mm	B mm	E mm	P <sub>max</sub> kN	G kg
<b>S</b>							
<b>UNE 305R-90S</b>	4	90	55	305	307	2	3,30



# Installation units for screed and hollow floors

installation unit made of high-grade steel | Cartridge unit angular

## UEBD2 V E dummy cartridge unit double, quadrangular, levellable

Square dummy cartridge unit made of stainless steel sheet as an inspection chamber with hem for rooms with wet-maintenance floors.

Please mind the technical information in chapter planning.

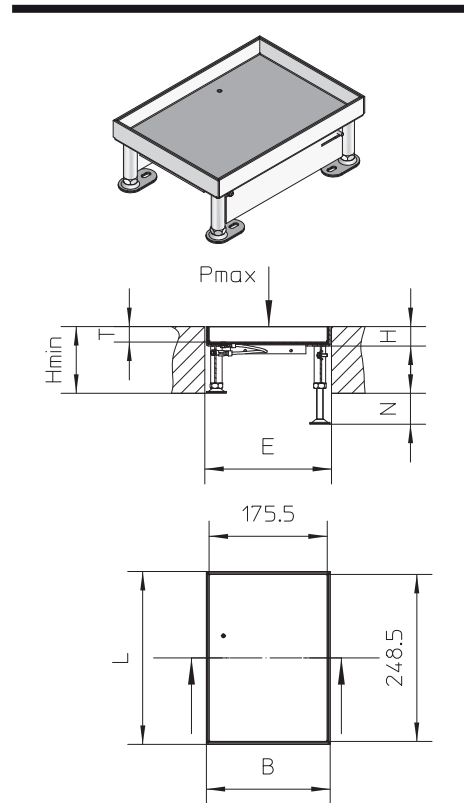


article number	H mm	H <sub>min</sub> mm	N mm	B mm	L mm	E mm	T mm	P <sub>max</sub> kN	IP <sub>n</sub>	G kg
<b>E</b>										
<b>UEBD2 15-V E</b>	19	90	+ 45	258	184	261 x 186	12	1,5	IP 30	2,20
<b>UEBD2 25-V E</b>	29	100	+ 45	258	184	261 x 186	22	1,5	IP 30	2,50

accessories optional:

**UBDSL** levelling support (page A14, C41)

**UGM SLF** Subsonic noise sleeve socket - levelling support (page A14, C41)



## UBP V Dummy cover, triple, angular



article number	H mm	H <sub>min</sub> mm	B mm	L mm	E mm	P <sub>max</sub> kN	G kg
<b>S</b>							
<b>UBP-V 4S</b>	4	65	258	258	261x261	2	2,60

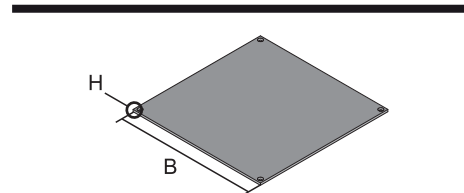
accessories included:

4 x **UKS M4x16E** Phillips screw (page C41)

1 x **UGD3-V 2** rubber seal, quadrangular (page C40)

accessories optional:

**UNE** levelling unit dummy, triple, quadrangular (page C36)



# Installation units for screed and hollow floors

installation unit made of high-grade steel | Cartridge unit angular

## UEBD V E triple dummy cartridge unit, quadrangular

Square dummy cartridge made of stainless steel sheet as an inspection chamber with hem for rooms with wet-maintenance floors.

Please mind the technical information in chapter planning.

For assembly instructions, see the chapter assembly.

article number	H mm	H <sub>min</sub> mm	B mm	L mm	E mm	T mm	P <sub>max</sub> kN	IP <sub>n</sub>	G kg
<b>E   G</b>									
<b>UEBD 15-V E</b>	19	85	258	258	261 x 261	12	2	IP 54	1,75
<b>UEBD 25-V E</b>	29	95	258	258	261 x 261	22	2	IP 54	1,98
<b>UEBD 35-V E</b>	39	105	258	258	261 x 261	32	2	IP 54	2,25
<b>UEBD 45-V E</b>	49	115	258	258	261 x 261	42	2	IP 54	2,51

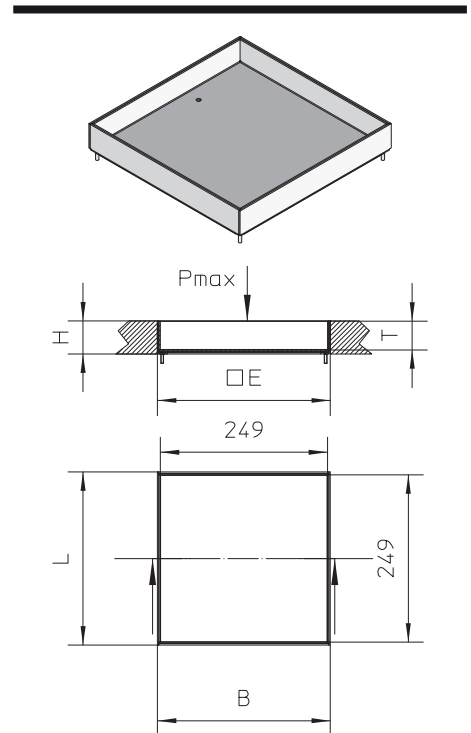
<b>MS   G</b>									
<b>UEBD 25-V MS</b>	29	95	258	258	261 x 261	22	2	IP 54	1,98
<b>UEBD 35-V MS</b>	39	105	258	258	261 x 261	32	2	IP 54	2,25

accessories included:

1 x **UGD3-V 2** rubber seal, quadrangular (page C40)  
 4 x **UKS M4x16E** Phillips screw (page C41)

accessories optional:

**UEBDE V** cover insert, high-grade steel dummy cartridge, triple (page C37)  
**UNE** levelling unit dummy, triple, quadrangular (page C36)



## UEBDS V E heavy-duty dummy cartridge unit, triple, quadrangular

Square heavy-duty dummy cartridge made of stainless steel sheet as an inspection chamber with hem for rooms with wet-maintenance floors.

On request deliverable in the material brass. Please mind the technical information in chapter planning.

For assembly instructions, see the chapter assembly.

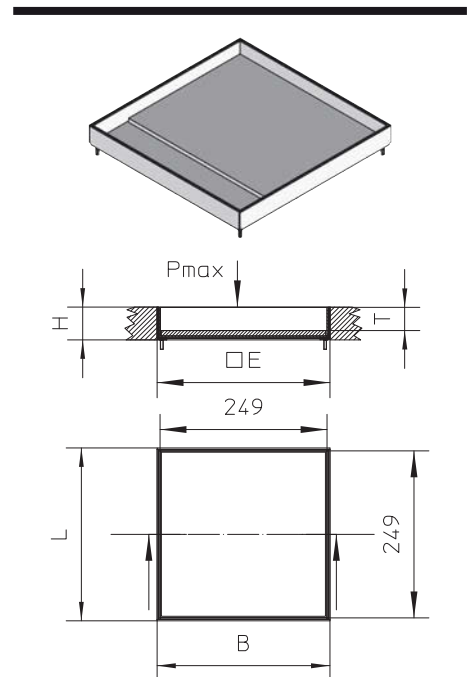
article number	H mm	H <sub>min</sub> mm	B mm	L mm	E mm	T mm	P <sub>max</sub> kN	IP <sub>n</sub>	G kg
<b>E   G</b>									
<b>UEBDS 25-V6 E</b>	29	95	258	258	261 x 261	16	10	IP 54	4,80
<b>UEBDS 35-V6 E</b>	39	105	258	258	261 x 261	26	10	IP 54	5,10
<b>UEBDS 45-V6 E</b>	49	115	258	258	261 x 261	36	10	IP 54	5,30
<b>UEBDS 35-V8 E</b>	39	105	258	258	261 x 261	24	20	IP 54	6,00
<b>UEBDS 45-V8 E</b>	49	115	258	258	261 x 261	34	20	IP 54	6,20

accessories included:

1 x **UGD3-V 2** rubber seal, quadrangular (page C40)  
 4 x **UKS M4x16E** Phillips screw (page C41)

accessories optional:

**UNE** levelling unit dummy, triple, quadrangular (page C36)





# Installation units for screed and hollow floors

installation unit made of high-grade steel | Cartridge unit angular

## UEBD VP E Dummy cartridge unit, tripple, plan, quadrangular

Square dummy cartridge made of pearl blasted stainless steel sheet plan as an inspection chamber with hem for rooms with wet-maintenance floors.  
Please mind the technical information in chapter planning.  
For assembly instructions, see the chapter assembly.



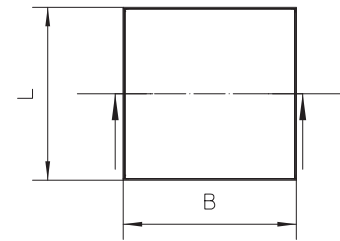
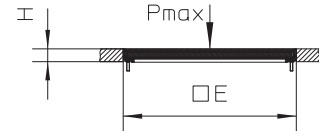
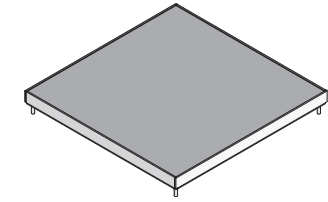
article number	H mm	H <sub>min</sub> mm	B mm	L mm	E mm	P <sub>max</sub> kN	IP <sub>n</sub>	G kg
<b>E   G</b>								
<b>UEBD 15-VP E</b>	19	85	258	258	261 x 261	4	IP 54	3,42

accessories included:

- 1 x **UGD3-V 2** rubber seal, quadrangular (page C40)
- 1 x **UKS M4x16E** Phillips screw (page C41)

accessories optional:

- UNE** levelling unit dummy, triple, quadrangular (page C36)



## UEKD2 V E Cable outlet cartridge double, quadrangular, levellable

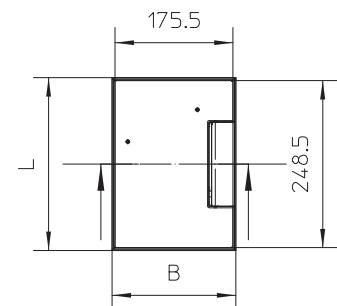
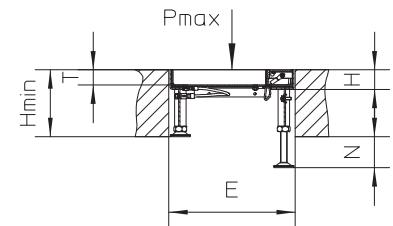
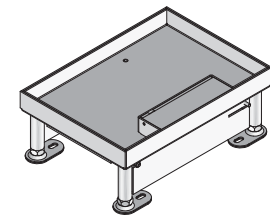
Square cable outlet cartridge unit made of stainless steel sheet with hem to accommodate two device cups for rooms with dry-maintenance floors.  
Please mind the technical information in chapter planning.



article number	H mm	H <sub>min</sub> mm	N mm	B mm	L mm	E mm	T mm	P <sub>max</sub> kN	IP <sub>n</sub>	IP <sub>g</sub>	G kg
<b>E</b>											
<b>UEKD2 15-V E</b>	19	90	+ 45	258	184	261 x 186	12	1,5	IP 30	IP 20	2,40
<b>UEKD2 25-V E</b>	29	100	+ 45	258	184	261 x 186	22	1,5	IP 30	IP 20	2,60

accessories optional:

- UGEAV2** set of registering leads, quadrangular (page C36)
- UBDSL F** levelling support (page A14, C41)
- UGM SLF** Subsonic noise sleeve socket - levelling support (page A14, C41)



# Installation units for screed and hollow floors

installation unit made of high-grade steel | Cartridge unit angular

## UEKD V E cartridge unit - hinged cover triple, quadrangular

Square cable outlet cartridge made of stainless steel sheet with hem to accommodate three device cups for rooms with dry-maintenance floors.

Please mind the technical information in chapter planning.  
For assembly instructions, see the chapter assembly.

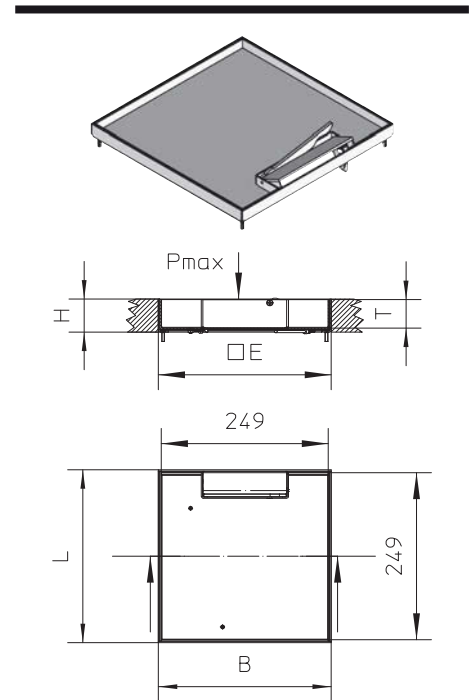
article number	H mm	H <sub>min</sub> mm	B mm	L mm	E mm	T mm	P <sub>max</sub> kN	IP <sub>n</sub>	IP <sub>g</sub>	G kg
<b>E   G</b>										
<b>UEKD 15-V E</b>	19	85	258	258	261 x 261	12	2	IP 30	IP 20	1,80
<b>UEKD 25-V E</b>	29	95	258	258	261 x 261	22	2	IP 30	IP 20	2,00
<b>UEKD 35-V E</b>	39	105	258	258	261 x 261	32	2	IP 30	IP 20	2,20
<b>UEKD 45-V E</b>	49	115	258	258	261 x 261	42	2	IP 30	IP 20	2,40
<b>MS   G</b>										
<b>UEKD 25-V MS</b>	29	95	258	258	261 x 261	22	2	IP 30	IP 20	2,00
<b>UEKD 35-V MS</b>	39	105	258	258	261 x 261	32	2	IP 30	IP 20	2,20

accessories included:

4 x **UKS M4x16E** Phillips screw (page C41)  
1 x **UGD-V 2** rubber seal, quadrangular (page C40)

accessories optional:

**UEKDE V** cover insert, high-grade steel cable outlet cartridge, triple (page C37)  
**UNE** levelling unit dummy, triple, quadrangular (page C36)  
**UGEAV** set of registering leads, quadrangular (page C36)



## UEKDS V E heavy-duty cable outlet cartridge, triple, quadrangular

Square heavy-duty cable outlet cartridge made of stainless steel sheet with hem to accommodate three device cups for rooms with dry-maintenance floors.

On request deliverable in the material brass. Please mind the technical information in chapter planning.  
For assembly instructions, see the chapter assembly.

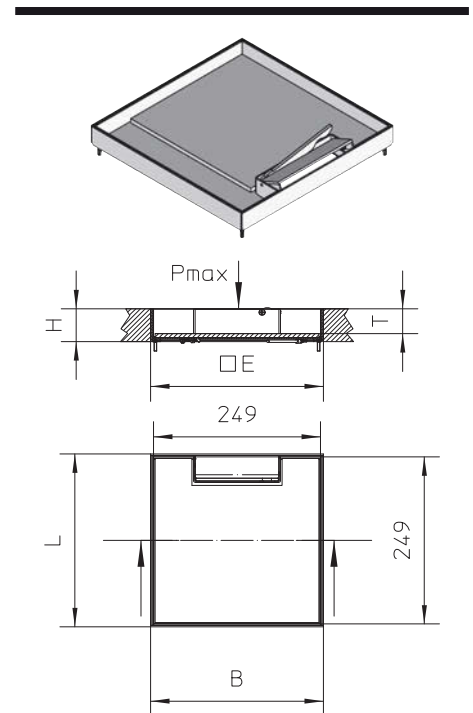
article number	H mm	H <sub>min</sub> mm	B mm	L mm	E mm	T mm	P <sub>max</sub> kN	IP <sub>n</sub>	IP <sub>g</sub>	G kg
<b>E   G</b>										
<b>UEKDS 25-V6 E</b>	29	95	258	258	261 x 261	16	10	IP 30	IP 20	4,80
<b>UEKDS 35-V6 E</b>	39	105	258	258	261 x 261	26	10	IP 30	IP 20	5,00
<b>UEKDS 45-V6 E</b>	49	115	258	258	261 x 261	36	10	IP 30	IP 20	5,20

accessories included:

4 x **UKS M4x16E** Phillips screw (page C41)  
1 x **UGD-V 2** rubber seal, quadrangular (page C40)

accessories optional:

**UNE** levelling unit dummy, triple, quadrangular (page C36)  
**UGEAV** set of registering leads, quadrangular (page C36)



# Installation units for screed and hollow floors

installation unit made of high-grade steel | Cartridge unit angular

## UEKD VP E Cable outlet cartridge unit tripple, plan, quadrangular

Square cable outlet cartridge made of pearl blasted stainless steel sheet plan with hem to accommodate three device cups for rooms with dry-maintenance floors.  
Please mind the technical information in chapter planning.  
For assembly instructions, see the chapter assembly.

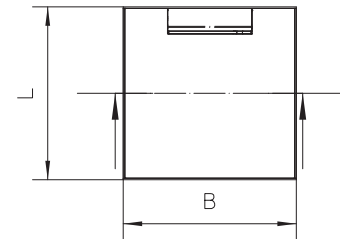
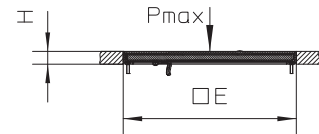
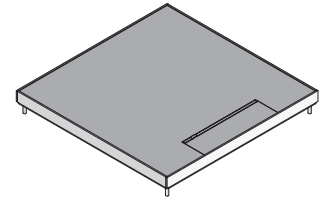
article number	H mm	H <sub>min</sub> mm	B mm	L mm	E mm	P <sub>max</sub> kN	IP <sub>n</sub>	IP <sub>g</sub>	G kg
<b>E   G</b>									
<b>UEKD 15-VP E</b>	19	85	258	258	261 x 261	4	IP 30	IP 20	3,38

accessories included:

1 x **UGD-V 2** rubber seal, quadrangular (page C40)  
1 x **UKS M4x16E** Phillips screw (page C41)

accessories optional:

**UNE** levelling unit dummy, triple, quadrangular (page C36)  
**UGEAV** set of registering leads, quadrangular (page C36)



## UEBDM V tube-cartridge unit triple, quadrangular

Square tube cartridge made of stainless steel sheet to accommodate three device cups, with hem, for rooms with wet-maintenance floors.  
Please mind the technical information in chapter planning.  
For assembly instructions, see the chapter assembly.

article number	H mm	H <sub>min</sub> mm	B mm	L mm	E mm	T mm	P <sub>max</sub> kN	IP <sub>n</sub>	IP <sub>g</sub>	G kg
<b>AL   E   G</b>										
<b>UEBDM 15-V-WD</b>	19	85	258	258	261 x 261	12	2	IP 54	IP 22	1,90
<b>UEBDM 25-V-WD</b>	29	95	258	258	261 x 261	22	2	IP 54	IP 22	2,10
<b>UEBDM 35-V-WD</b>	39	105	258	258	261 x 261	32	2	IP 54	IP 22	2,30
<b>UEBDM 45-V-WD</b>	49	115	258	258	261 x 261	42	2	IP 54	IP 22	2,60

**AL | MS | G**

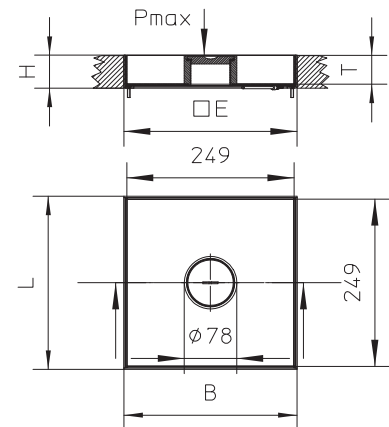
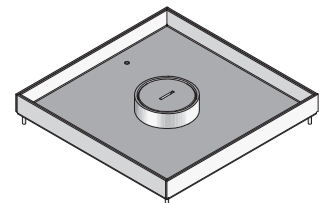
<b>UEBDM 25-V-WD MS</b>	29	95	258	258	261 x 261	22	2	IP 54	IP 22	2,10
<b>UEBDM 35-V-WD MS</b>	39	105	258	258	261 x 261	32	2	IP 54	IP 22	2,30

accessories included:

1 x **UGD3-V 2** rubber seal, quadrangular (page C40)  
4 x **UKS M4x16E** Phillips screw (page C41)  
1 x **UETD-R-WD** tube cover (page C38)

accessories optional:

**UEBDME V** cover insert, tube outlet cartridge made of high-grade steel, triple (page C38)  
**UET** tube for wet maintenance (page C38)  
**UNE** levelling unit dummy, triple, quadrangular (page C36)  
**UGEAV** set of registering leads, quadrangular (page C36)



# Installation units for screed and hollow floors

installation unit made of high-grade steel | Cartridge unit angular

## UEBDSM V heavy-duty tube-cartridge unit triple, quadrangular

Square heavy-duty tube cartridge made of stainless steel sheet with hem to accommodate three device cups for rooms with wet-maintenance floors.

Please mind the technical information in chapter planning.  
For assembly instructions, see the chapter assembly.

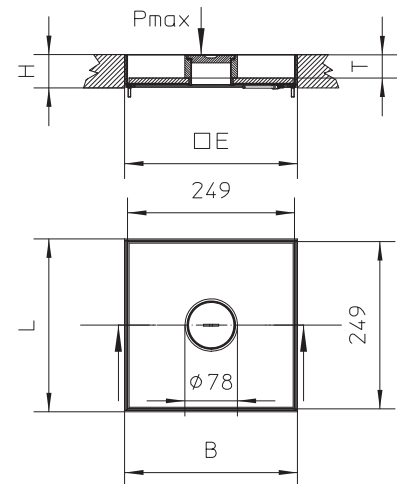
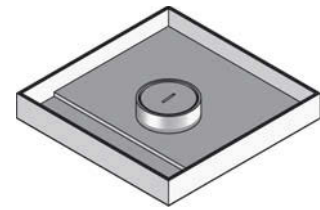
article number	H mm	H <sub>min</sub> mm	B mm	L mm	E mm	T mm	P <sub>max</sub> kN	IP <sub>n</sub>	IP <sub>g</sub>	G kg
<b>AL   E   G</b>										
<b>UEBDSM 25-V6-WD</b>	29	95	258	258	261 x 261	16	10	IP 54	IP 22	4,70
<b>UEBDSM 35-V6-WD</b>	39	105	258	258	261 x 261	26	10	IP 54	IP 22	5,08
<b>UEBDSM 45-V6-WD</b>	49	115	258	258	261 x 261	36	10	IP 54	IP 22	5,40
<b>UEBDSM 35-V8-WD</b>	39	105	258	258	261 x 261	24	20	IP 54	IP 22	6,10
<b>UEBDSM 45-V8-WD</b>	49	115	258	258	261 x 261	34	20	IP 54	IP 22	6,40

accessories included:

1 x <b>UGD3-V 2</b>	rubber seal, quadrangular	(page C40)
4 x <b>UKS M4x16E</b>	Phillips screw	(page C41)
1 x <b>UETD-R-WD</b>	tube cover	(page C38)

accessories optional:

<b>UET</b>	tube for wet maintenance	(page C38)
<b>UNE</b>	levelling unit dummy, triple, quadrangular	(page C36)
<b>UGEAV</b>	set of registering leads, quadrangular	(page C36)



## UEBDM VP WD Tube cartridge unit, tripple, plan, quadrangular

Square tube cartridge made of pearl blasted stainless steel sheet plan to accommodate three device cups, with hem, for rooms with wet-maintenance floors.

Please mind the technical information in chapter planning.  
For assembly instructions, see the chapter assembly.

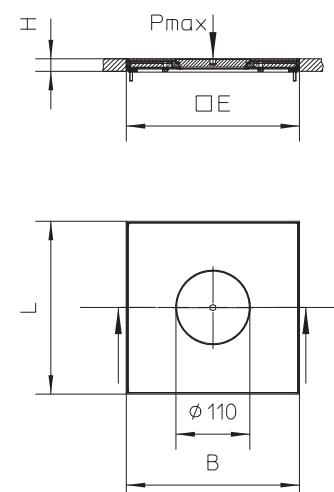
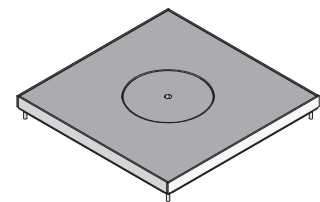
article number	H mm	H <sub>min</sub> mm	B mm	L mm	E mm	P <sub>max</sub> kN	IP <sub>n</sub>	IP <sub>g</sub>	G kg
<b>E   G</b>									
<b>UEBDM 15-VP-WD</b>	19	85	258	258	261 x 261	4	IP 54	IP 22	3,39

accessories included:

1 x <b>UETD112-R-WD</b>	tube cover	(page C39)
1 x <b>UGD3-V 2</b>	rubber seal, quadrangular	(page C40)
1 x <b>UKS M4x16E</b>	Phillips screw	(page C41)

accessories optional:

<b>UET112</b>	tube for wet maintenance	(page C38)
<b>UNE</b>	levelling unit dummy, triple, quadrangular	(page C36)
<b>UGEAV</b>	set of registering leads, quadrangular	(page C36)



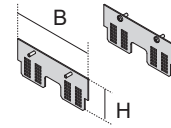
# Installation units for screed and hollow floors

installation unit made of high-grade steel | Cartridge unit angular

## UGEAV2 set of registering leads, quadrangular

To be screwed to a stainless steel cartridge unit UEKD2 V E.

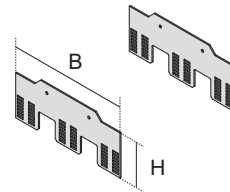
article number	H mm	H <sub>min</sub> mm	B mm	lock-in range mm	G kg
<b>S</b>					
<b>UGEAV2 50S</b>	55	65	131	30	0,13



## UGEAV set of registering leads, quadrangular

To be screwed to a levelling unit UNE.

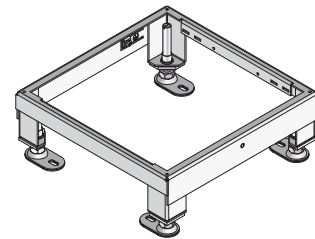
article number	H mm	H <sub>min</sub> mm	B mm	lock-in range mm	G kg
<b>S</b>					
<b>UGEAV-50S</b>	50	65	186	30	0,24
<b>UGEAV-80S</b>	80	95	186	30	0,34



## UNE levelling unit dummy, triple, quadrangular

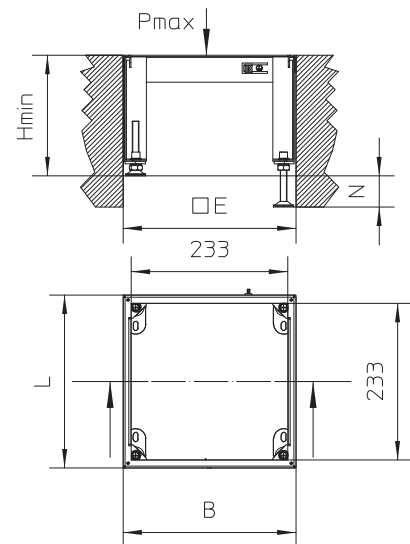
Square levelling unit made of steel plate with inside levelling to be used in connection with square stainless steel cartridges.

article number	H <sub>min</sub> mm	N mm	B mm	L mm	E mm	P <sub>max</sub> kN	G kg
<b>S</b>							
<b>UNE 260V-30S</b>	65	+ 25	258	258	261 x 261	20	0,97
<b>UNE 260V-60S</b>	90	+ 45	258	258	261 x 261	20	1,00
<b>UNE 260V-100S</b>	135	+ 45	258	258	261 x 261	20	1,04
<b>UNE 260V-155S</b>	155	+ 95	258	258	261 x 261	10	1,10
<b>UNE 260V-210S</b>	212	+ 100	258	258	261 x 261	10	2,03



accessories optional:

<b>UGEAV</b>	set of registering leads, quadrangular	(page C36)
<b>UGE VE</b>	Device insert triple, for installation unit high-grade steel quadrangular	(page D27)
<b>UGM SLF</b>	Subsonic noise sleeve socket - levelling support	(page A14, C41)



# Installation units for screed and hollow floors

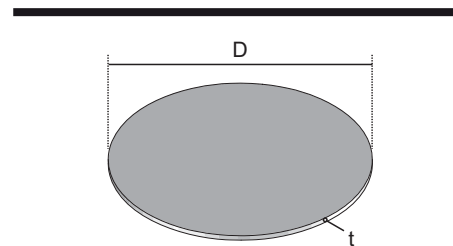
installation unit made of high-grade steel | Accessories high-grade steel cartridges

## UEBDE R cover insert, high-grade steel dummy cartridge, triple

article number	D mm	t mm	G kg
<b>PVC</b>			
<b>UEBDE3-R 6</b>	297	6	0,50

accessories optional:

**UEBD R E** Triple dummy cartridge unit, round, levellable (page C24)

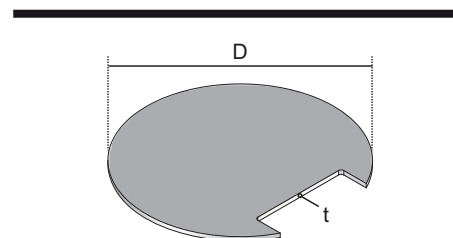


## UEKDE R cover insert, high-grade steel cable outlet cartridge, triple

article number	D mm	t mm	G kg
<b>PVC</b>			
<b>UEKDE3-R 6</b>	297	6	0,50

accessories optional:

**UEKD R E** cartridge cover, triple, round, levellable (page C25)

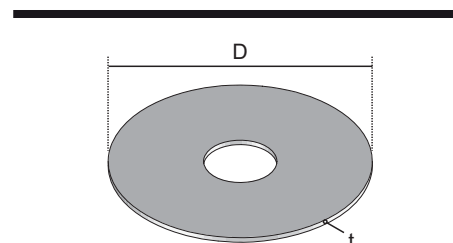


## UEBDME R cover insert, tube outlet cartridge made of high-grade steel, triple

article number	D mm	t mm	G kg
<b>PVC</b>			
<b>UEBDME3-R 6</b>	297	6	0,50

accessories optional:

**UEBDM R** Tube cartridge unit, triple, round, levellable (page C27)



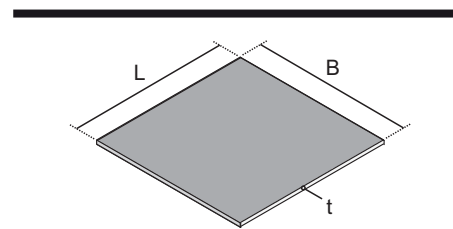
## UEBDE V cover insert, high-grade steel dummy cartridge, triple

article number	B mm	L mm	t mm	G kg
<b>PVC</b>				
<b>UEBDE3-V 6</b>	245	245	6	0,50

accessories optional:

**UEBD V E** triple dummy cartridge unit, quadrangular (page C31)

**UEBDD V E** Dummy cartridge installation unit, triple, quadrangular (page C21)



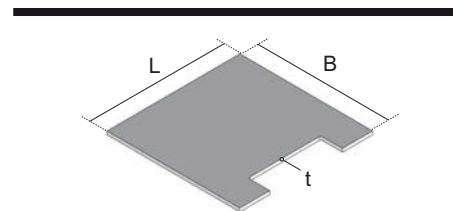
## UEKDE V cover insert, high-grade steel cable outlet cartridge, triple

article number	B mm	L mm	t mm	G kg
<b>PVC</b>				
<b>UEKDE3-V 6</b>	245	245	6	0,50

accessories optional:

**UEKD V E** cartridge unit - hinged cover triple, quadrangular (page C33)

**UEKDD V E** cartridge unit - hinged cover triple, quadrangular (page C22)



# Installation units for screed and hollow floors

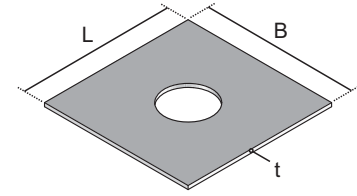
installation unit made of high-grade steel | Accessories high-grade steel cartridges

## UEBDME V cover insert, tube outlet cartridge made of high-grade steel, triple

article number	B mm	L mm	t mm	G kg
<b>PVC</b>				
<b>UEBDME3-V 6</b>	245	245	6	0,50

accessories optional:

**UEBDM V** tube-cartridge unit triple, quadrangular (page C34)

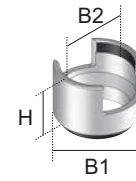


## UET tube for wet maintenance

article number	H mm	B1 mm	B2 mm	G kg
<b>E</b>				
<b>UET-R-WD E</b>	45	70	50	0,36
<b>AL</b>				
<b>UET-R-WD</b>	45	70	50	0,12
<b>MS</b>				
<b>UET-R-WD MS</b>	45	70	50	0,36

accessories optional:

**UETD** tube cover (page C38)

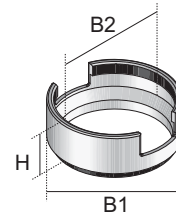


## UET112 tube for wet maintenance

article number	H mm	B1 mm	B2 mm	G kg
<b>AL</b>				
<b>UET112-R-WD</b>	36	112	94	0,15

accessories optional:

**UETD112** tube cover (page C39)



## UETD tube cover

article number	G kg
<b>E</b>	
<b>UETD-R-WD E</b>	0,28
<b>AL</b>	
<b>UETD-R-WD</b>	0,10
<b>MS</b>	
<b>UETD-R-WD MS</b>	0,28

accessories optional:

**UET** tube for wet maintenance (page C38)



# Installation units for screed and hollow floors

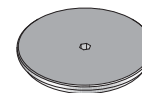
installation unit made of high-grade steel | Accessories high-grade steel cartridges

## UETD112 tube cover

article number	G
	kg
<b>AL</b>	
<b>UETD112-R-WD</b>	0,27

accessories optional:

**UET112** tube for wet maintenance (page C38)



## UVA GB grounding line

article number	G
	kg
<b>CU</b>	
<b>UVA-GB-2.5-15</b>	0,01
<b>UVA-GB-2.5-30</b>	0,01



## UVA GB1 grounding line

article number	G
	kg
<b>CU</b>	
<b>UVA-GB1-2.5-15</b>	0,01
<b>UVA-GB1-4.0-15</b>	0,02



## UGDB15 rubber seal, round

article number	H	L	t	G
	mm	mm	mm	kg
<b>G</b>				
<b>UGDB15-R300 1.8</b>	15	1000	1,8	0,02

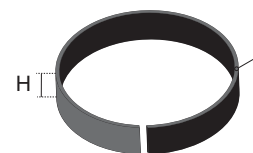
accessories optional:

**UEBD R E** Triple dummy cartridge unit, round, levellable (page C24)

**UEBDM R** Tube cartridge unit, triple, round, levellable (page C27)

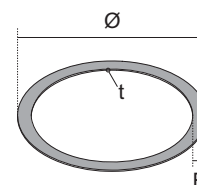
**UEBDS R E** heavy-duty dummy cartridge unit, triple, round, levellable (page C24)

**UEBDSM R** heavy-duty tube-cartridge unit triple, round, levellable (page C27)



## UGD R rubber seal, round

article number	B	Ø	t	G
	mm	mm	mm	kg
<b>G</b>				
<b>UGD-R 10-2</b>	10	297	2	0,02





# Installation units for screed and hollow floors

installation unit made of high-grade steel | Accessories high-grade steel cartridges

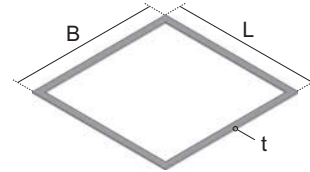
## UGD V rubber seal, quadrangular

article number	B mm	L mm	t mm	G kg
----------------	---------	---------	---------	---------

<b>G</b>				
<b>UGD-V 2</b>	252	252	2	0,02

accessories optional:

<b>UEKD V E</b>	cartridge unit - hinged cover triple, quadrangular	(page C33)
<b>UEBDD V E</b>	Dummy cartridge installation unit, triple, quadrangular	(page C21)
<b>UEKDS V E</b>	heavy-duty cable outlet cartridge, triple, quadrangular	(page C33)
<b>UEKDD V E</b>	cartridge unit - hinged cover triple, quadrangular	(page C22)



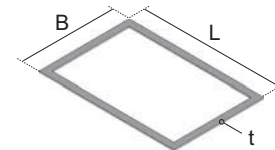
## UGD2 V rubber seal, quadrangular

article number	B mm	L mm	t mm	G kg
----------------	---------	---------	---------	---------

<b>G</b>				
<b>UGD2-V 2</b>	179	252	2	0,02

accessories optional:

<b>UEKDD2 V E</b>	cartridge unit - hinged cover double, quadrangular	(page C22)
<b>UEBDD2 V E</b>	cartridge installation unit dummy cover double, quadrangular	(page C20)



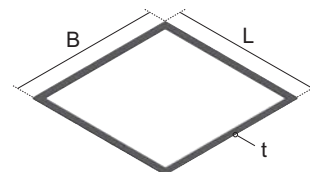
## UGD3 V rubber seal, quadrangular

article number	B mm	L mm	t mm	G kg
----------------	---------	---------	---------	---------

<b>G</b>				
<b>UGD3-V 2</b>	253	253	2,5	0,02

accessories optional:

<b>UEBD V E</b>	triple dummy cartridge unit, quadrangular	(page C31)
<b>UEBDS V E</b>	heavy-duty dummy cartridge unit, triple, quadrangular	(page C31)
<b>UEBDM V</b>	tube-cartridge unit triple, quadrangular	(page C34)
<b>UEBDSM V</b>	heavy-duty tube-cartridge unit triple, quadrangular	(page C35)



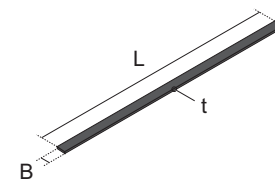
## UGD 20 rubber strips

article number	B mm	L mm	t mm	G kg
----------------	---------	---------	---------	---------

<b>G</b>				
<b>UGD 20-2</b>	20	10000	2	0,02

accessories optional:

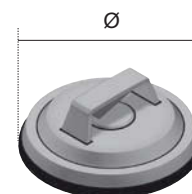
<b>UBKPR</b>	side profile	(page A19)
--------------	--------------	------------



## USH 40 siphon

article number	Ø mm	Tk kg	G kg
----------------	---------	----------	---------

<b>G   S</b>			
<b>USH 40</b>	120	40	0,28



# Installation units for screed and hollow floors

installation unit made of high-grade steel | Accessories high-grade steel cartridges

## UKS Phillips screw

article number	Ø mm	L mm	G kg
<b>S</b>			
UKS M4x50	4	50	0,01
UKS M4x60	4	60	0,01
UKS M4x100	4	100	0,01
UKS M8x150	8	150	0,05
UKS M10x80	10	80	0,05
UKS M10x150	10	150	0,05



<b>E</b>			
UKS M4x10E	4	10	0,01
UKS M4x16E	4	16	0,01

## UGEAR ELS grounding angle bracket

article number	G kg
<b>S</b>	
UGEAR-ELS	0,02

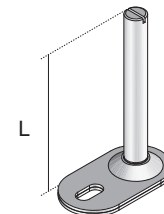
accessories optional:

**UEBD R E** Triple dummy cartridge unit, round, levellable (page C24)  
**UEBDS R E** heavy-duty dummy cartridge unit, triple, round, levellable (page C24)



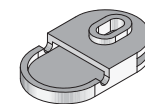
## UBDSLFL levelling support

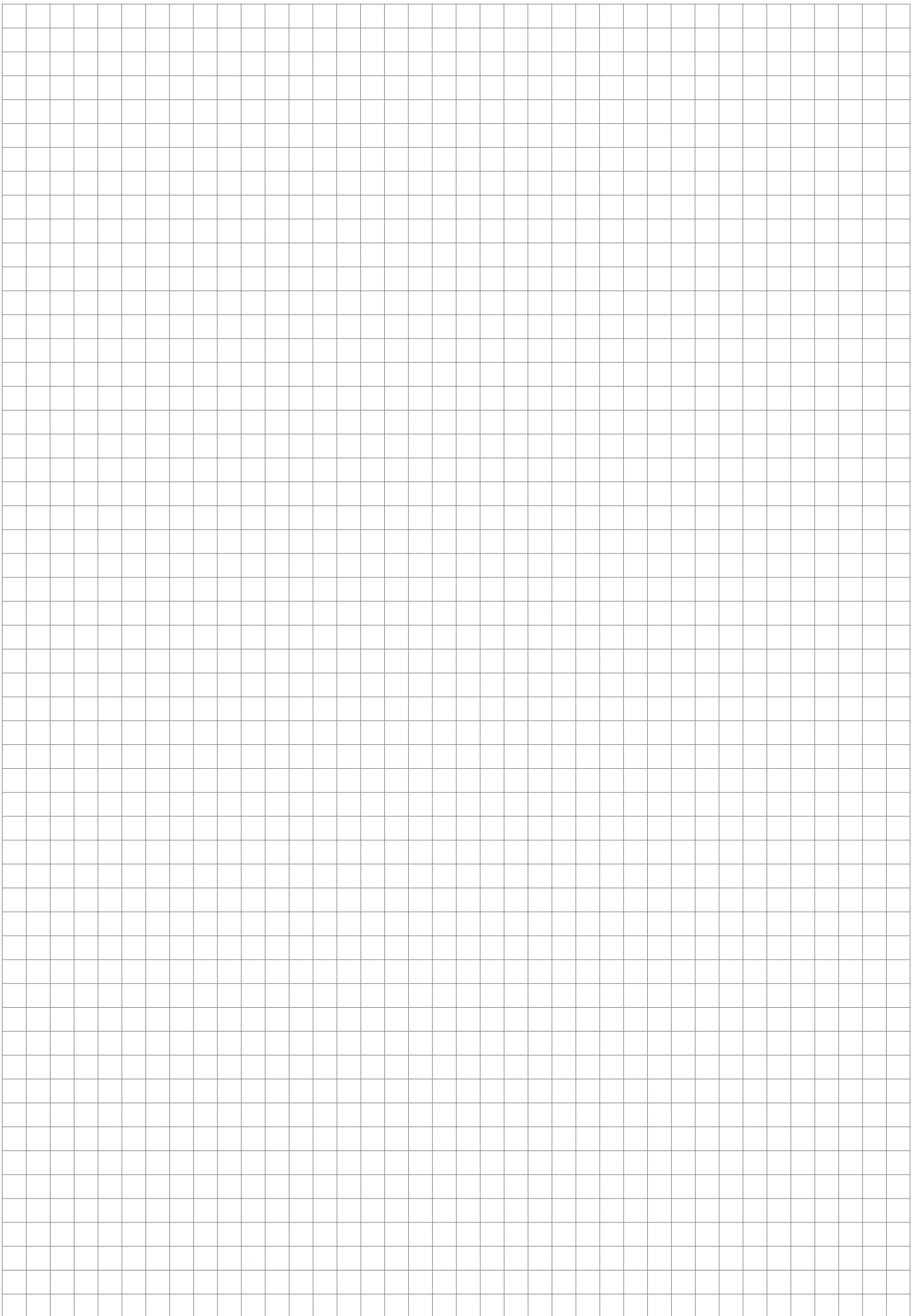
article number	L mm	G kg
<b>S</b>		
UBDSLFL 60	60	0,07
UBDSLFL 80	80	0,07
UBDSLFL 150	150	0,09



## UGM SLF Subsonic noise sleeve socket - levelling support

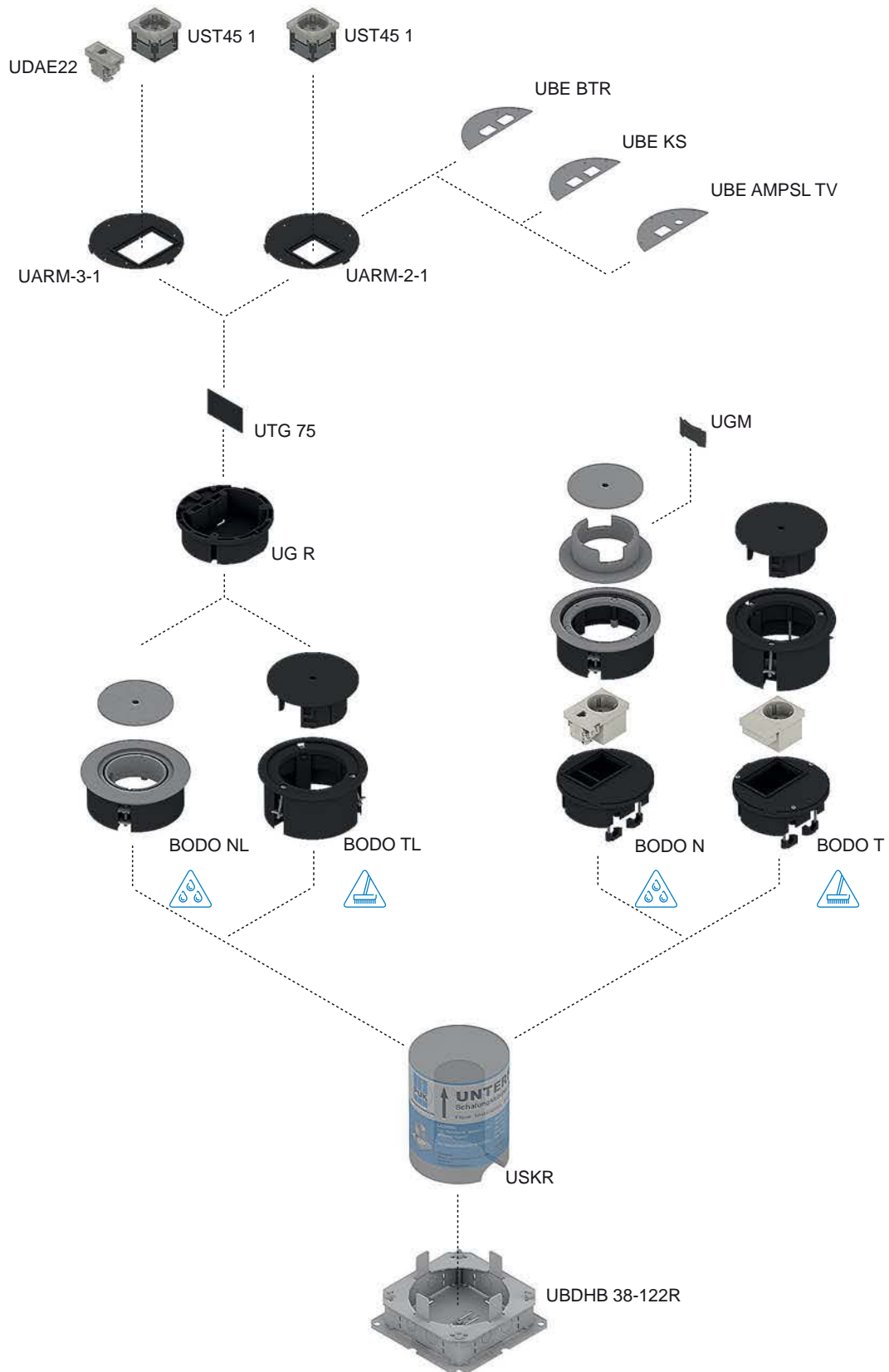
article number	G kg
<b>PVC</b>	
UGM-SLF	0,01





# System overview

Installation units for screed and hollow floors



# Installation units for screed and hollow floors

## Single outlet BODO, round

### BODO N Single outlet with floor box and data module, wet-maintenance, round

Round single outlet made of aluminium with floor cover protection frame equipped with a floor socket and a data module for rooms with wet-maintenance floors.

Please mind the technical information in chapter planning.

For assembly instructions, see the chapter assembly.

article number	H mm	H <sub>min</sub> mm	B mm	E mm	P <sub>max</sub> kN	colour	IP <sub>n</sub>	IP <sub>g</sub>	G kg
<b>E</b>									
<b>BODO N-E</b>	122	87	140	122	15	Stainless steel	IP 66	IP 43	2,06
<b>AL</b>									
<b>BODO N</b>	122	87	140	122	15	aluminium	IP 66	IP 43	0,74
<b>BODO N-CR</b>	122	87	140	122	15	chromed aluminium	IP 66	IP 43	0,74
<b>BODO N-CU</b>	122	87	140	122	15	Copper	IP 66	IP 43	0,74
<b>BODO N-GO</b>	122	87	140	122	15	Gold	IP 66	IP 43	0,74
<b>BODO N-MS</b>	122	87	140	122	15	brass	IP 66	IP 43	0,74
<b>BODO N-SW</b>	122	87	140	122	15	black	IP 66	IP 43	0,74
<b>BODO N-TI</b>	122	87	140	122	15	Titan	IP 66	IP 43	0,74

### MS

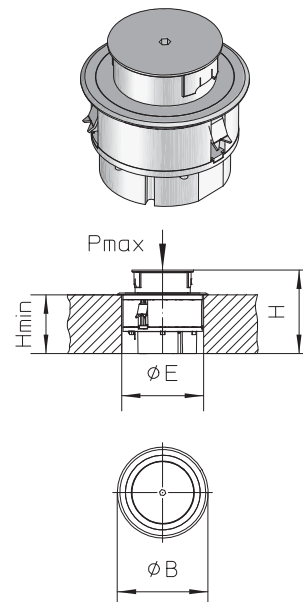
<b>BODO N-MMS</b>	122	87	140	122	15	solid brass	IP 66	IP 43	0,74
-------------------	-----	----	-----	-----	----	-------------	-------	-------	------

accessories included:

1 x <b>UET80-R-WD</b>	tube for wet maintenance	(page C47)
1 x <b>UETD80-R-WD</b>	tube cover	(page C47)
1 x <b>UDAE22-CAT6 8</b>	data systems installation device single	(page D34)
1 x <b>UST45-W 1</b>	shockproof socket single	(page D30)
1 x <b>UTG 75</b>	device separation plate	(page D04)
1 x <b>UARM-3-1 118</b>	Cover plate for 3x UDAE22	(page D04)
1 x <b>UG-R</b>	device installation cup, round	(page D04)
2 x <b>UGM1-3</b>	rubber sleeve	(page C48)
1 x <b>UWZ-IS 8</b>	Allen wrench	(page C47)

accessories optional:

<b>USK R122</b>	shuttering round	(page C48)
<b>UBDHB 122R</b>	Hollow-space floor box, single, round	(page B10)



### BODO N3 Single-outlet with floor socket outlet, wet maintenance, round

Round single outlet made of aluminium with a floor protection frame equipped with a floor socket for rooms with wet-maintenance floors.

Please mind the technical information in chapter planning.

For assembly instructions, see the chapter assembly.

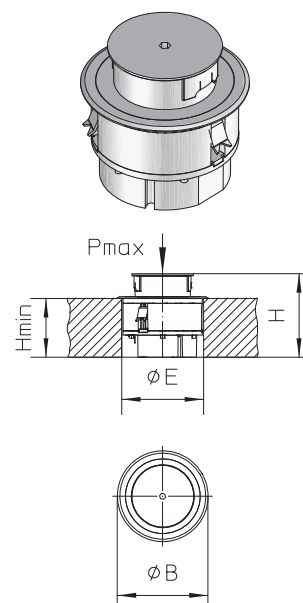
article number	H mm	H <sub>min</sub> mm	B mm	E mm	P <sub>max</sub> kN	colour	IP <sub>n</sub>	IP <sub>g</sub>	G kg
<b>E</b>									
<b>BODO N3-E</b>	122	87	140	122	15	Stainless steel	IP 66	IP 43	2,00

accessories included:

1 x <b>UET80-R-WD</b>	tube for wet maintenance	(page C47)
1 x <b>UETD80-R-WD</b>	tube cover	(page C47)
1 x <b>UST45-W 1</b>	shockproof socket single	(page D30)
1 x <b>UTG 75</b>	device separation plate	(page D04)
1 x <b>UARM-3-1 118</b>	Cover plate for 3x UDAE22	(page D04)
1 x <b>UG-R</b>	device installation cup, round	(page D04)
2 x <b>UGM1-3</b>	rubber sleeve	(page C48)
1 x <b>UDA22-KS 1</b>	Data cover, Keystone	(page D34)
1 x <b>UWZ-IS 8</b>	Allen wrench	(page C47)

accessories optional:

<b>USK R122</b>	shuttering round	(page C48)
<b>UBDHB 122R</b>	Hollow-space floor box, single, round	(page B10)



# Installation units for screed and hollow floors

## Single outlet BODO, round

### BODO N3 Single-outlet with floor socket outlet, wet maintenance, round

Round single outlet made of aluminium with a floor protection frame equipped with a floor socket for rooms with wet-maintenance floors.

Please mind the technical information in chapter planning.

For assembly instructions, see the chapter assembly.

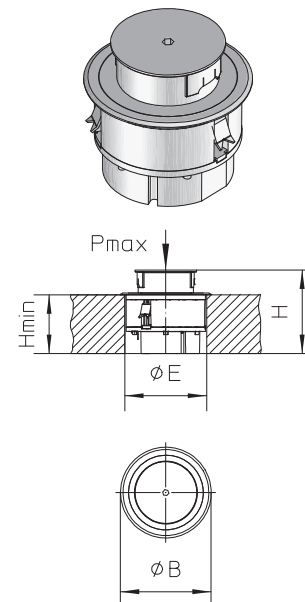
article number	H mm	H <sub>min</sub> mm	B mm	E mm	P <sub>max</sub> kN	colour	IP <sub>n</sub>	IP <sub>g</sub>	G kg
<b>AL</b>									
<b>BODO N3</b>	122	87	140	122	15	aluminum	IP 66	IP 43	0,74
<b>BODO N3-CR</b>	122	87	140	122	15	chromed aluminium	IP 66	IP 43	0,74
<b>BODO N3-CU</b>	122	87	140	122	15	Copper	IP 66	IP 43	0,74
<b>BODO N3-GO</b>	122	87	140	122	15	Gold	IP 66	IP 43	0,74
<b>BODO N3-MS</b>	122	87	140	122	15	brass	IP 66	IP 43	0,74
<b>BODO N3-SW</b>	122	87	140	122	15	black	IP 66	IP 43	0,74
<b>BODO N3-TI</b>	122	87	140	122	15	Titan	IP 66	IP 43	0,74
<b>MS</b>									
<b>BODO N3-MSS</b>	122	87	140	122	15	solid brass	IP 66	IP 43	0,74

accessories included:

1 x <b>UET80-R-WD</b>	tube for wet maintenance	(page C47)
1 x <b>UETD80-R-WD</b>	tube cover	(page C47)
1 x <b>UST45-W 1</b>	shockproof socket single	(page D30)
1 x <b>UTG 75</b>	device separation plate	(page D04)
1 x <b>UARM-3-1 118</b>	Cover plate for 3x UDAE22	(page D04)
1 x <b>UG-R</b>	device installation cup, round	(page D04)
2 x <b>UGM1-3</b>	rubber sleeve	(page C48)
1 x <b>UDA22-KS 1</b>	Data cover, Keystone	(page D34)
1 x <b>UWZ-IS 8</b>	Allen wrench	(page C47)

accessories optional:

<b>USK R122</b>	shuttering round	(page C48)
<b>UBDHB 122R</b>	Hollow-space floor box, single, round	(page B10)



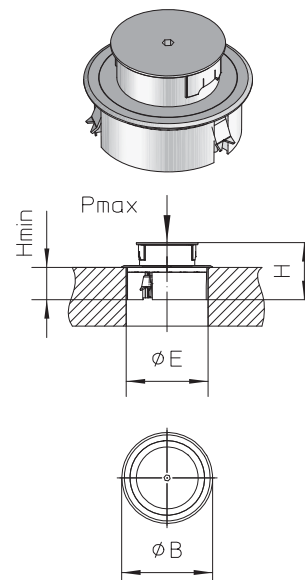
### BODO NL Single-outlet, wet maintenance, round, empty

Round single outlet, made of aluminium, with floor cover protection frame for rooms with wet-maintenance floors.

Please mind the technical information in chapter planning.

For assembly instructions, see the chapter assembly.

article number	H mm	H <sub>min</sub> mm	B mm	E mm	P <sub>max</sub> kN	colour	IP <sub>n</sub>	IP <sub>g</sub>	G kg
<b>E</b>									
<b>BODO NL-E</b>	83	48	140	122	15	Stainless steel	IP 66	IP 43	1,32
<b>AL</b>									
<b>BODO NL</b>	83	48	140	122	15	aluminum	IP 66	IP 43	0,48
<b>BODO NL-CR</b>	83	48	140	122	15	chromed aluminium	IP 66	IP 43	0,48
<b>BODO NL-CU</b>	83	48	140	122	15	Copper	IP 66	IP 43	0,48
<b>BODO NL-GO</b>	83	48	140	122	15	Gold	IP 66	IP 43	0,48
<b>BODO NL-MS</b>	83	48	140	122	15	brass	IP 66	IP 43	0,48
<b>BODO NL-SW</b>	83	48	140	122	15	black	IP 66	IP 43	0,48
<b>BODO NL-TI</b>	83	48	140	122	15	Titan	IP 66	IP 43	0,48
<b>MS</b>									
<b>BODO NL-MMS</b>	83	48	140	122	15	solid brass	IP 66	IP 43	0,48



# Installation units for screed and hollow floors

## Single outlet BODO, round

### BODO T Single-outlet with floor socket outlet, dry maintenance, round

Round plastic single outlet with floor cover protection frame equipped with a floor socket for rooms with dry-maintenance floors.

Please mind the technical information in chapter planning.

For assembly instructions, see the chapter assembly.

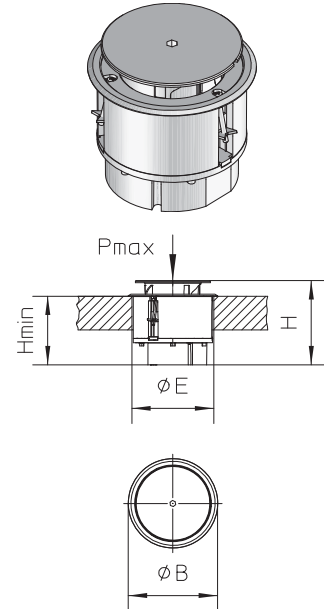
article number	H mm	H <sub>min</sub> mm	B mm	E mm	P <sub>max</sub> kN	colour	IP <sub>n</sub>	IP <sub>g</sub>	G kg
<b>ABS</b>									
<b>BODO T-G</b>	126	102	133	122	1,5	RAL 7011 (iron grey)	IP 30	IP 20	0,40
<b>BODO T-S</b>	126	102	133	122	1,5	RAL 9011 (graphite black)	IP 30	IP 20	0,40

accessories included:

1 x <b>UAA-B 22</b>	cover	(page D35)
1 x <b>UST45-W 1</b>	shockproof socket single	(page D30)
1 x <b>UARM-3-1 118</b>	Cover plate for 3x UDAE22	(page D04)
1 x <b>UG-R</b>	device installation cup, round	(page D04)

accessories optional:

<b>USK R122</b>	shuttering round	(page C48)
<b>UBDHB 122R</b>	Hollow-space floor box, single, round	(page B10)
<b>UWZ IS</b>	Allen wrench	(page C47)



### BODO TL Single-outlet, dry maintenance, round, empty

Round single outlet, made of plastic, with a floor cover protection frame for rooms with dry-maintenance floors.

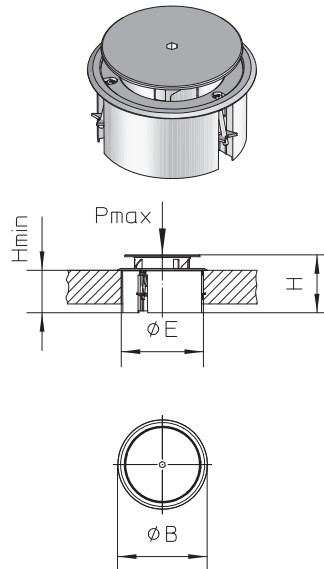
Please mind the technical information in chapter planning.

For assembly instructions, see the chapter assembly.

article number	H mm	H <sub>min</sub> mm	B mm	E mm	P <sub>max</sub> kN	colour	IP <sub>n</sub>	IP <sub>g</sub>	G kg
<b>ABS</b>									
<b>BODO TL-G</b>	87	63	133	122	1,5	RAL 7011 (iron grey)	IP 30	IP 20	0,20
<b>BODO TL-S</b>	87	63	133	122	1,5	RAL 9011 (graphite black)	IP 30	IP 20	0,20

accessories optional:

<b>UG R</b>	device installation cup, round	(page D04)
<b>UTG 75</b>	device separation plate	(page D04)
<b>UARM-2-1</b>	Cover plate for 2x UDAE22	(page D04)
<b>UARM-3-1</b>	Cover plate for 3x UDAE22	(page D04)
<b>USK R122</b>	shuttering round	(page C48)
<b>UBDHB 122R</b>	Hollow-space floor box, single, round	(page B10)
<b>UWZ IS</b>	Allen wrench	(page C47)



# Installation units for screed and hollow floors

Single outlet BODO, round | Accessories

## UET80 tube for wet maintenance

article number	H mm	B mm	colour	G kg
<b>E</b>				
UET80-R-WD-E	34,5	112	Stainless steel	0,49
<b>AL</b>				
UET80-R-WD	34,5	112	aluminum	0,13
UET80-R-WD-CR	34,5	112	chromed aluminium	0,13
UET80-R-WD-CU	34,5	112	Copper	0,13
UET80-R-WD-GO	34,5	112	Gold	0,13
UET80-R-WD-MS	34,5	112	brass	0,13
UET80-R-WD-SW	34,5	112	black	0,13
UET80-R-WD-TI	34,5	112	Titan	0,13
<b>MS</b>				
UET80-R-WD-MMS	34,5	112	solid brass	0,13

accessories optional:

UETD80 tube cover (page C47)

## UETD80 tube cover

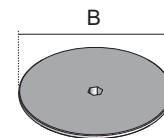
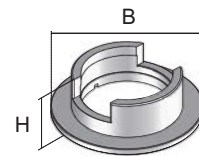
article number	B mm	colour	G kg
<b>E</b>			
UETD80-R-WD-E	92	Stainless steel	0,34
<b>AL</b>			
UETD80-R-WD	92	aluminum	0,11
UETD80-R-WD-CR	92	chromed aluminium	0,11
UETD80-R-WD-CU	92	Copper	0,11
UETD80-R-WD-GO	92	Gold	0,11
UETD80-R-WD-MS	92	brass	0,11
UETD80-R-WD-SW	92	black	0,11
UETD80-R-WD-TI	92	Titan	0,11
<b>MS</b>			
UETD80-R-WD-MMS	92	solid brass	0,11

accessories optional:

UET80 tube for wet maintenance (page C47)

## UWZ IS Allen wrench

article number	G kg
<b>E</b>	
UWZ-IS 8	0,06





# Installation units for screed and hollow floors

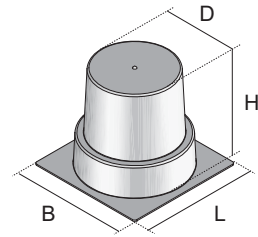
Single outlet BODO, round | Accessories

## USK R122 shuttering round

article number	H mm	B mm	D mm	L mm	colour	G kg
<b>PP</b>						
<b>USK-R122</b>	150	180	122	180	black	0,81

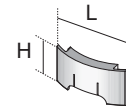
accessories optional:

<b>BODO T</b>	Single-outlet with floor socket outlet, dry maintenance, round	(page C46)
<b>BODO TL</b>	Single-outlet, dry maintenance, round, empty	(page C46)
<b>BODO N</b>	Single outlet with floor box and data module, wet-maintenance, round	(page C44)
<b>BODO N3</b>	Single-outlet with floor socket outlet, wet maintenance, round	(page C44)
<b>BODO NL</b>	Single-outlet, wet maintenance, round, empty	(page C45)



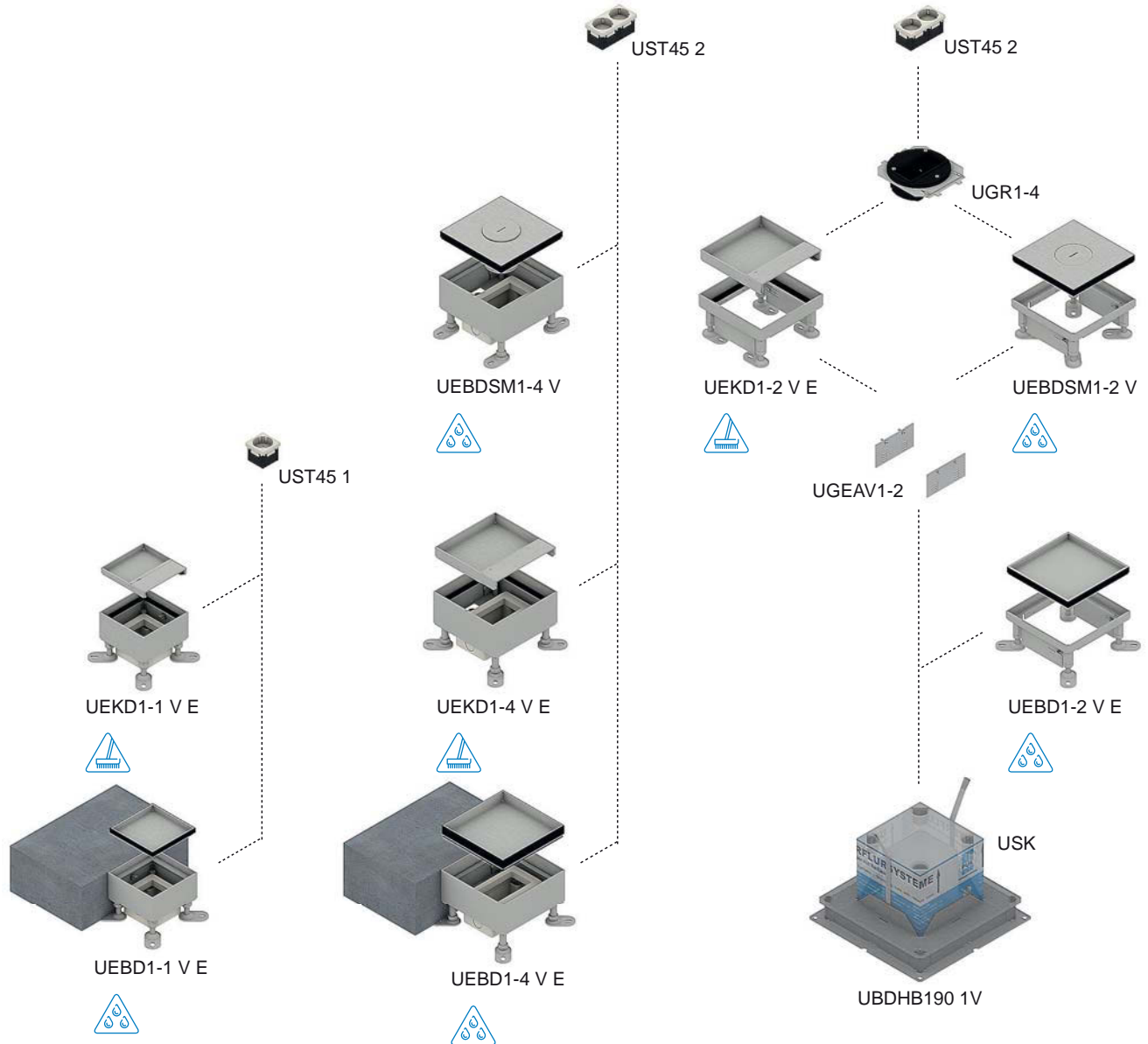
## UGM rubber sleeve

article number	H mm	L mm	G kg
<b>G</b>			
<b>UGM1-3</b>	23	44	0,01



# System overview

Installation units for screed and hollow floors



# Installation units for screed and hollow floors

## Single outlet, quadrangular

### UEBD1-1 V E Dummy single-outlet cartridge, quadrangular, levellable

Square dummy single outlet cartridge for direct screed installation made of stainless steel sheet with hem to accommodate one 45x45 mm installation device for rooms with wet-maintenance floor covers.  
Please mind the technical information in chapter planning.  
For assembly instructions, see the chapter assembly.



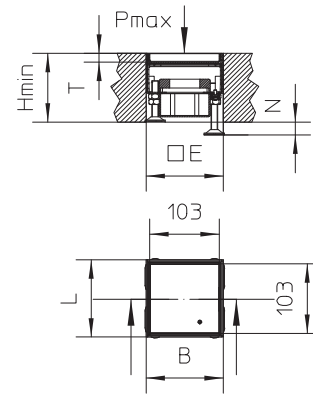
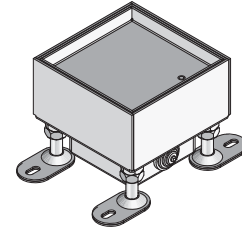
article number	H <sub>min</sub> mm	N mm	B mm	L mm	E mm	T mm	P <sub>max</sub> kN	IP <sub>n</sub>	G kg
<b>E   G</b>									
<b>UEBD1-1 15-V E</b>	100	+ 40	115	115	115 x 115	12	2	IP 54	2,20

accessories included:

1 x **UGD1-1-V 2** rubber seal, quadrangular (page C53)  
1 x **UEBD1-G45** Body single outlet (page C53)

accessories optional:

**UST45 1** shockproof socket single (page D30)  
**UDAE22** data systems installation device single (page D34)



### UEKD1-1 V E Single-outlet cable cartridge, one-piece, quadrangular, levellable

Square cable single outlet cartridge for direct screed installation, made of stainless steel, with hem, to accommodate one 45x45mm installation device, for rooms with dry maintenance floor covers.  
Please mind the technical information in chapter planning.  
For assembly instructions, see the chapter assembly.



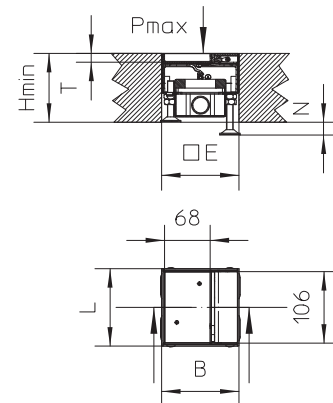
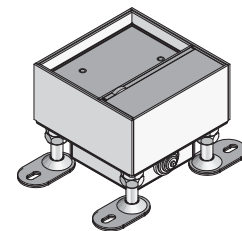
article number	H <sub>min</sub> mm	N mm	B mm	L mm	E mm	T mm	P <sub>max</sub> kN	IP <sub>n</sub>	IP <sub>g</sub>	G kg
<b>E   G</b>										
<b>UEKD1-1 15-V E</b>	100	+ 40	115	115	115 x 115	12	2	IP 30	IP 20	1,70

accessories included:

1 x **UGD1-1-V 2** rubber seal, quadrangular (page C53)  
1 x **UEKD1-1-G45** Body single outlet (page C53)

accessories optional:

**UST45 1** shockproof socket single (page D30)  
**UDAE22** data systems installation device single (page D34)



# Installation units for screed and hollow floors

## Single outlet, quadrangular

### UEBD1-2 V E Dummy single-outlet cartridge, quadrangular, levellable

Square dummy single outlet cartridge made of stainless steel sheet as an inspection chamber with hem for rooms with wet-maintenance floor covers.

Please mind the technical information in chapter planning.

For assembly instructions, see the chapter assembly.

article number	H mm	H <sub>min</sub> mm	N mm	B mm	L mm	E mm	T mm	P <sub>max</sub> kN	IP <sub>n</sub>	G kg
<b>E   G</b>										
<b>UEBD1-2 15-V E</b>	19	80	+ 45	160	160	164 x 164	12	2	IP 54	1,80
<b>UEBD1-2 25-V E</b>	29	90	+ 45	160	160	164 x 164	22	2	IP 54	1,90

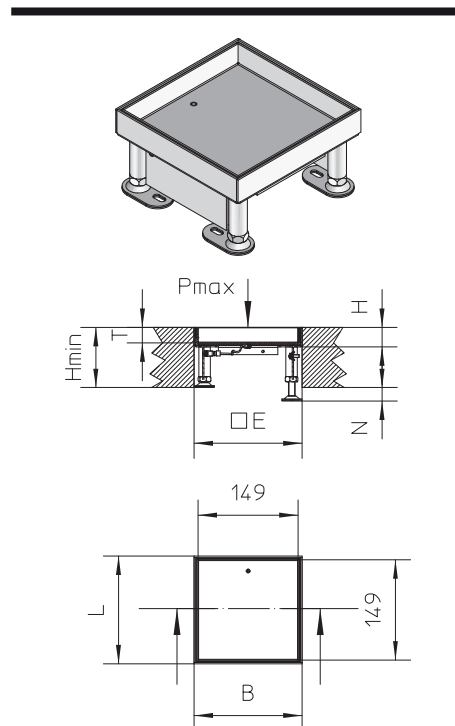
accessories included:

1 x **UGKD1-2-V 2** rubber seal, quadrangular (page C53)

accessories optional:

**UGEAV1-2** set of registering leads, quadrangular (page C52)

**UGR1-4** Device cup, round, pre-assembled (page C52)



### UEKD1-2 V E Single-outlet cable cartridge, quadrangular, levellable

Angular single cable outlet cartridge made of high-grade sheet steel with abutting edge for one device cup for the installation of two 45x45 mm installation devices, for rooms with dry maintenance floor covers.

Please mind the technical information in chapter planning.

For assembly instructions, see the chapter assembly.

article number	H mm	H <sub>min</sub> mm	N mm	B mm	L mm	E mm	T mm	P <sub>max</sub> kN	IP <sub>n</sub>	IP <sub>g</sub>	G kg
<b>E   G</b>											
<b>UEKD1-2 15-V E</b>	19	80	+ 45	160	160	164 x 164	12	2	IP 30	IP 20	1,12
<b>UEKD1-2 25-V E</b>	29	90	+ 45	160	160	164 x 164	22	2	IP 30	IP 20	1,30

**MS | G**

**UEKD1-2 25-V MS** 29 90 + 45 160 160 164 x 164 22 2 IP 30 IP 20 1,30

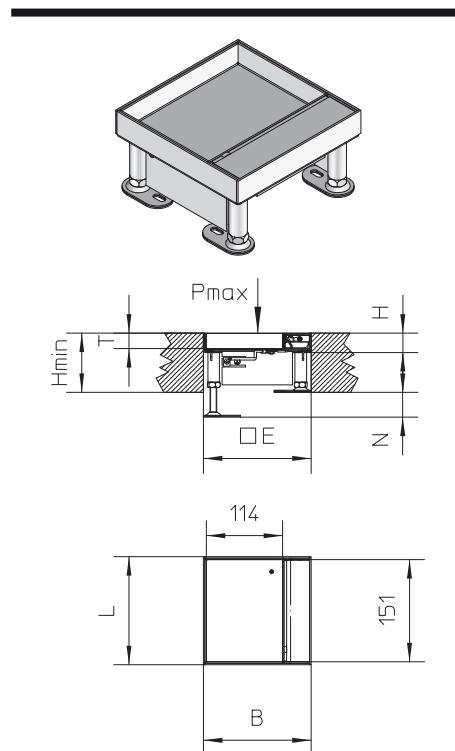
accessories included:

1 x **UGKD1-2-V 2** rubber seal, quadrangular (page C53)

accessories optional:

**UGEAV1-2** set of registering leads, quadrangular (page C52)

**UGR1-4** Device cup, round, pre-assembled (page C52)



# Installation units for screed and hollow floors

## Single outlet, quadrangular

### UEBDSM1-2 V heavy-duty tube single outlet cartridge, quadrangular, levellable

Angular heavy-duty tube single cable outlet cartridge made of high-grade sheet steel with abutting edge for one device cup for the installation of two 45x45 mm installation devices, for rooms with wet maintenance floor covers.

Please mind the technical information in chapter planning.

For assembly instructions, see the chapter assembly.



article number	H mm	H <sub>min</sub> mm	N mm	B mm	L mm	E mm	P <sub>max</sub> kN	IP <sub>n</sub>	IP <sub>g</sub>	G kg
<b>E   G</b>										
<b>UEBDSM1-2 15-V8-WD</b>	19	80	+ 45	160	160	164 x 164	20	IP 54	IP 22	4,39

accessories included:

1 x **UGKD1-2-V 2** rubber seal, quadrangular (page C53)

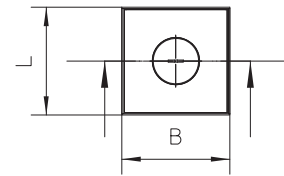
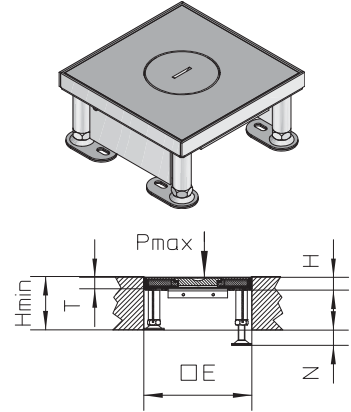
1 x **UETD-R-WD** tube cover (page C38)

accessories optional:

**UGEAV1-2** set of registering leads, quadrangular (page C52)

**UGR1-4** Device cup, round, pre-assembled (page C52)

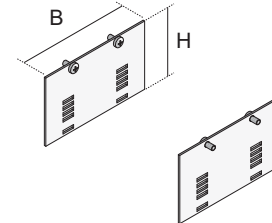
**UET** tube for wet maintenance (page C38)



### UGEAV1-2 set of registering leads, quadrangular

To be screwed to a single outlet.

article number	H mm	B mm	G kg
<b>S</b>			
<b>UGEAV1-2 50S</b>	59	98	0,13



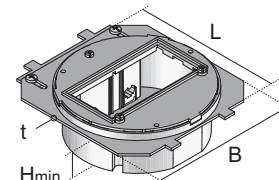
### UGR1-4 Device cup, round, pre-assembled

For the insertion of two 45x45 mm installation devices.

article number	H <sub>min</sub> mm	B mm	L mm	t mm	G kg
<b>S</b>					
<b>UGR1-4</b>	70	128	125	2	0,30

accessories optional:

**UG R** device installation cup, round (page D04)



# Installation units for screed and hollow floors

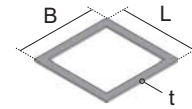
## Single outlet, quadrangular | Accessories

### UGD1-1 V rubber seal, quadrangular

article number	B mm	L mm	t mm	G kg
<b>G</b>				
<b>UGD1-1-V 2</b>	110	110	2	0,01

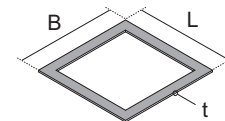
accessories optional:

<b>UEBD1-1 V E</b>	Dummy single-outlet cartridge, quadrangular, levellable	(page C50)
<b>UEKD1-1 V E</b>	Single-outlet cable cartridge, one-piece, quadrangular, levellable	(page C50)



### UGKD1-2 V 2 rubber seal, quadrangular

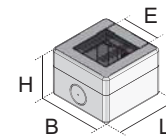
article number	B mm	L mm	t mm	G kg
<b>G</b>				
<b>UGKD1-2-V 2</b>	119	119	2	0,01



### UEBD1 G45 Body single outlet

For the insertion of one 45x45 mm installation device.

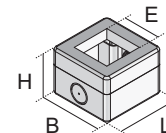
article number	H mm	B mm	L mm	E mm	colour	G kg
<b>UEBD1-G45</b>	63	75,5	75,5	45 x 45	light grey (similar RAL 7035)	0,09



### UEKD1-1 G45 Body single outlet

For the insertion of one 45x45 mm installation device.

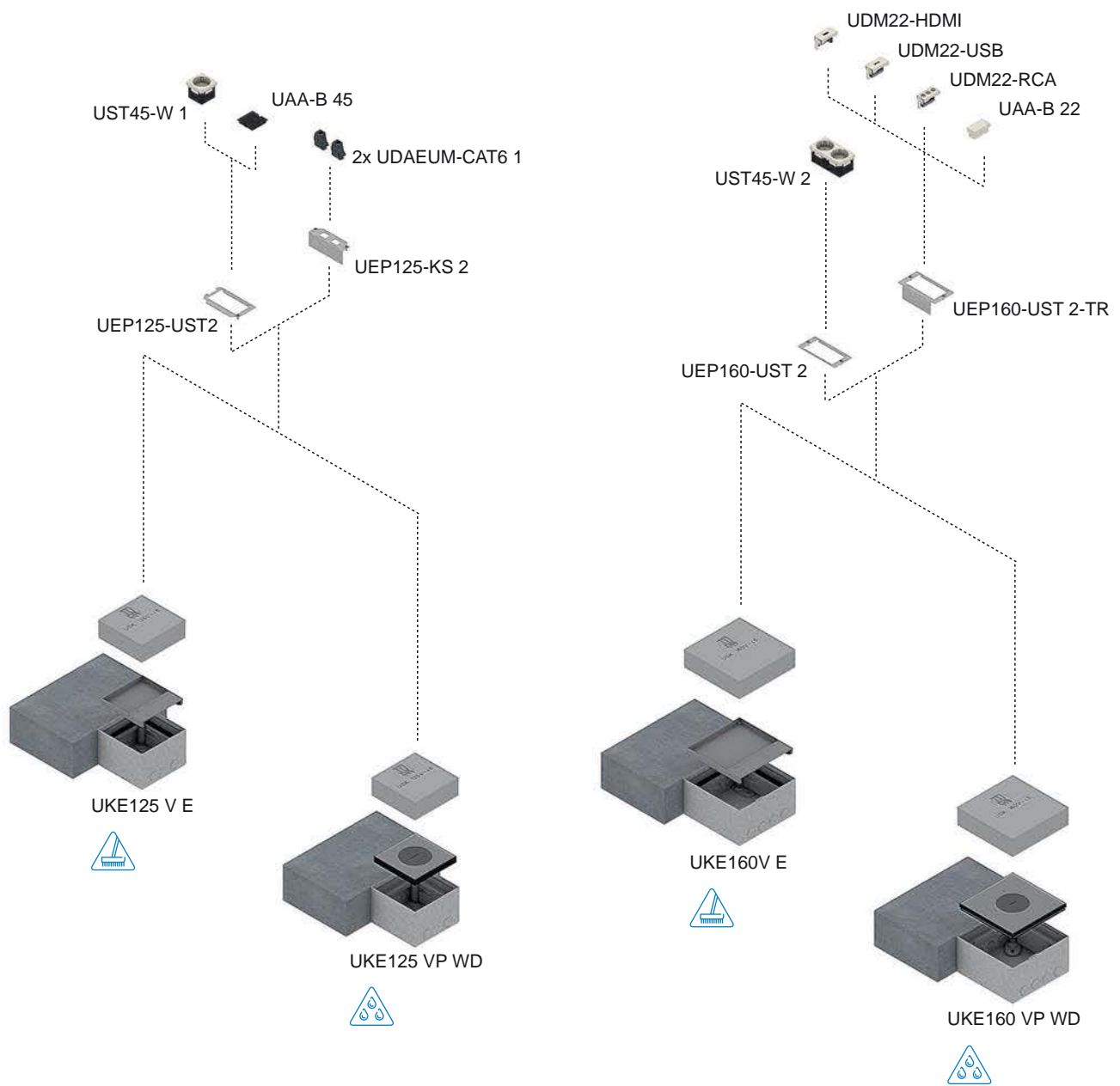
article number	H mm	B mm	L mm	E mm	colour	G kg
<b>UEKD1-1-G45</b>	53	75,5	75,5	45 x 45	light grey (similar RAL 7035)	0,09





# System overview

Installation units for screed and hollow floors





# Installation units for screed and hollow floors

## Compact single outlet

### UKE125 V Compact single outlet with cable outlet

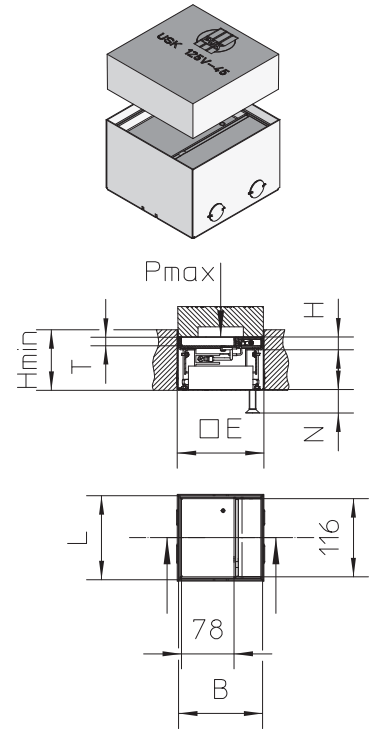
Angular cable outlet compact single outlet for screed mounting made of high-grade sheet steel with abutting edge for up to two 45x45 mm installation devices and two data jacks, for rooms with dry-maintenance floor covers. For assembly instructions, see the chapter assembly.



article number	H mm	H <sub>min</sub> mm	N mm	B mm	L mm	E mm	T mm	P <sub>max</sub> kN	IP <sub>n</sub>	IP <sub>g</sub>	G kg
<b>E   G</b>											
<b>UKE125 15-V E</b>	15	90	+35	125	125	134 x 134	12	2	IP 30	IP 20	1,74
<b>UKE125 25-V E</b>	25	100	+35	125	125	134 x 134	22	2	IP 30	IP 20	1,93
<b>MS   G</b>											
<b>UKE125 25-V MS</b>	25	100	+35	125	125	134 x 134	22	2	IP 30	IP 20	1,96

accessories optional:

- UEP125 KS** Adapter board for Keystone modules for compact single outlets (page C58)
- UEP125 UST** Adapter board for sockets for compact single outlets (page C58)



### UKE125 VP WD Compact single outlet with tube outlet

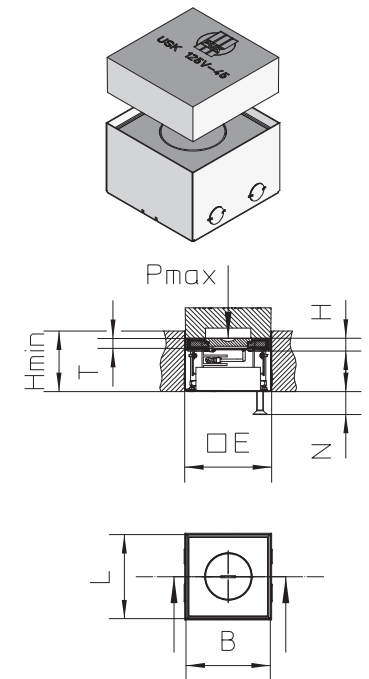
Angular tube compact single outlet for screed mounting made of high-grade sheet steel with abutting edge for up to two 45x45 mm installation devices and two data jacks, for rooms with wet-maintenance floor covers. For assembly instructions, see the chapter assembly.



article number	H mm	H <sub>min</sub> mm	N mm	B mm	L mm	E mm	P <sub>max</sub> kN	IP <sub>n</sub>	IP <sub>g</sub>	G kg
<b>E   G</b>										
<b>UKE125 15-VP-WD</b>	15	90	+35	125	125	134 x 134	20	IP 54	IP 22	2,60

accessories optional:

- UEP125 KS** Adapter board for Keystone modules for compact single outlets (page C58)
- UEP125 UST** Adapter board for sockets for compact single outlets (page C58)
- UET** tube for wet maintenance (page C38)
- UEP125 B** Adapter board for sockets for compact single outlets, dummy (page C58)



# Installation units for screed and hollow floors

## Compact single outlet

### UKE160 V Compact single outlet with cable outlet

Angular cable outlet compact single outlet for screed mounting made of high-grade sheet steel with abutting edge for up to four 45x45 mm installation devices, for rooms with dry-maintenance floor covers.

For assembly instructions, see the chapter assembly.

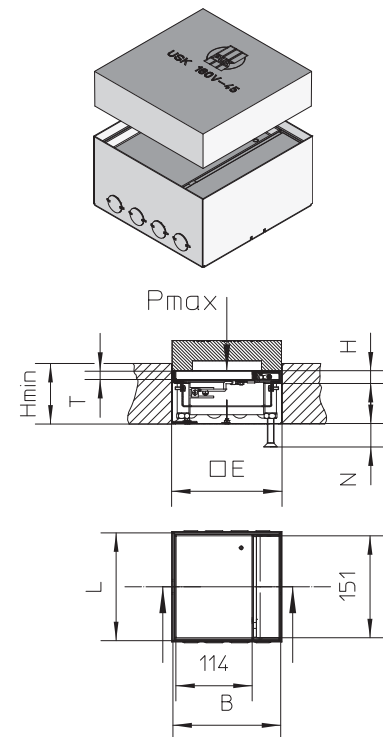
article number	H mm	H <sub>min</sub> mm	N mm	B mm	L mm	E mm	T mm	P <sub>max</sub> kN	IP <sub>n</sub>	IP <sub>g</sub>	G kg
<b>E   G</b>											
<b>UKE160 15-V E</b>	15	90	+35	160	160	166 x 166	12	2	IP 30	IP 20	2,39
<b>UKE160 25-V E</b>	25	100	+35	160	160	166 x 166	22	2	IP 30	IP 20	2,40

<b>MS   G</b>											
<b>UKE160 25-V MS</b>	25	100	+35	160	160	166 x 166	22	2	IP 30	IP 20	3,40

accessories optional:

**UEP160 UST** Adapter board for sockets for compact single outlets (page C58)

**UEP160 UST-TR** Adapter board, data/multimedia (page C58)



### UKE160 VP WD Compact single outlet with tube outlet

Angular tube compact single outlet for screed mounting made of high-grade sheet steel with abutting edge for up to four 45x45 mm installation devices, for rooms with wet-maintenance floor covers.

For assembly instructions, see the chapter assembly.

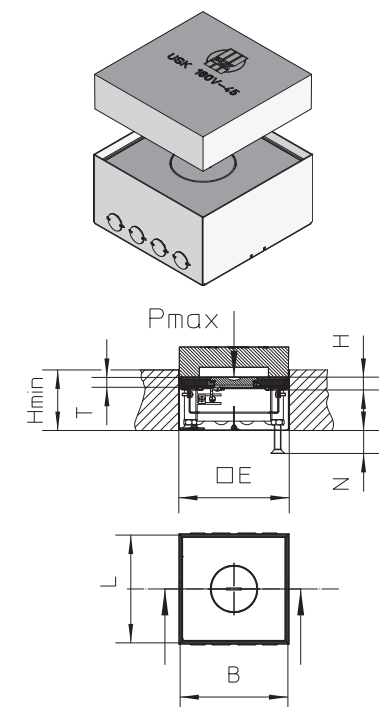
article number	H mm	H <sub>min</sub> mm	N mm	B mm	L mm	P <sub>max</sub> kN	IP <sub>n</sub>	IP <sub>g</sub>	G kg
<b>E   G</b>									
<b>UKE160 15-VP-WD</b>	15	90	+35	160	160	20	IP 54	IP 22	4,04

accessories optional:

**UEP160 UST** Adapter board for sockets for compact single outlets (page C58)

**UEP160 UST-TR** Adapter board, data/multimedia (page C58)

**UET** tube for wet maintenance (page C38)



# Installation units for screed and hollow floors

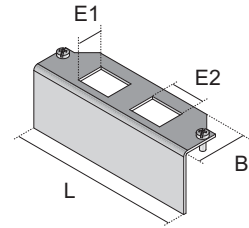
## Compact single outlet | Accessories

### UEP125 KS Adapter board for Keystone modules for compact single outlets

article number	B mm	L mm	E1 mm	E2 mm	G kg
<b>S</b>					
<b>UEP125-KS 2</b>	29	98	14,8	19,5	0,06

accessories optional:

**UDAEUM** data systems installation device (page D35)



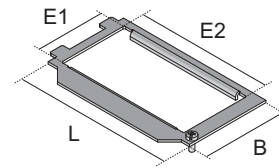
### UEP125 UST Adapter board for sockets for compact single outlets

article number	B mm	L mm	E1 mm	E2 mm	G kg
<b>S</b>					
<b>UEP125-UST 2</b>	62	105	40,5	86	0,04

accessories optional:

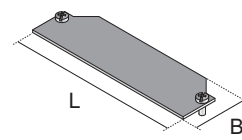
**UST45 1** shockproof socket single (page D30)

**UST45 2** shockproof socket, duplex (page D30)



### UEP125 B Adapter board for sockets for compact single outlets, dummy

article number	B mm	L mm	G kg
<b>S</b>			
<b>UEP125-B</b>	29	98	0,03



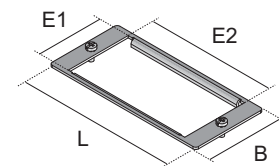
### UEP160 UST Adapter board for sockets for compact single outlets

article number	B mm	L mm	E1 mm	E2 mm	G kg
<b>S</b>					
<b>UEP160-UST 2</b>	50	108	40,5	86	0,03

accessories optional:

**UST45 1** shockproof socket single (page D30)

**UST45 2** shockproof socket, duplex (page D30)



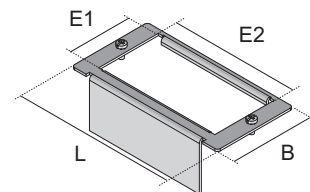
### UEP160 UST-TR Adapter board, data/multimedia

article number	B mm	L mm	E1 mm	E2 mm	G kg
<b>S</b>					
<b>UEP160-UST 2-TR</b>	56	108	40,5	86	0,07

accessories optional:

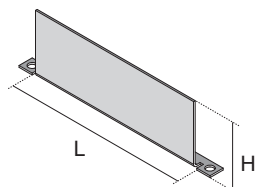
**UDAP45-KS** Data cover, Keystone (page D37)

**UDAE22** data systems installation device single (page D34)



### UKE TR Device separator

article number	H mm	L mm	G kg
<b>S</b>			
<b>UKE125-TR</b>	35	108	0,03
<b>UKE160-TR</b>	35	128	0,04



# Installation units for screed and hollow floors

## Compact single outlet | Accessories

### UKENP Levelling board

article number	N mm	B mm	L mm	E mm	G kg
<b>S</b>					
<b>UKENP 125S</b>	25-70	125	125	188 x 238	1,31
<b>UKENP 160S</b>	25-70	160	160	224 x 274	1,75

